

2500H_EU_FL(AC02160) TRACTOR

Parts Catalogue



CONTENTS

GROUP NO	GROUP NAME	PAGE
G. ENGINE		
A01_007	CYLINDER BLOCK	6
A02_005	DRIVE PULLY	8
A03_004	CRANK SHAFT PULLEY	10
A04_005	GLOW PLUG ASS'Y OPTION	12
A05_005	CRANK SHAFT ASS'Y OPTION	14
A06_004	BREATHER OPTION	16
A07_005	CAMSHAFT	18
A08_005	ALTERNATOR	20
A09_006	COOLING WATER PUMP	22
A10_008	COOLING FAN SPACER	24
A11_007	INJECTOR	26
A12_014	FUEL INJECTON	28
A13_005	PLUMBING, FUEL	30
A14_003	FUEL FILTER BRACKET	33
A16_003	FUEL FILTER ASS'Y OPTION	35
A17_012	INTAKE MANIFOLD ASS'Y OPTION	37
A18_010	FLYWHEEL	39
A19_010	FLYWHEEL HOUSING	41
A20_010	HEAD, CYLINDER	43
A21_004	HEAD COVER	45
A23_009	TURBOCHARGER SUPPORT ASS'Y OPTION	47
A25_002	OIL JET ASS'Y OPTION	49
A26_005	COOLER, ENGINE OIL	51
A27_005	OIL PAN ASS'Y OPTION	53
A28_001	PUMP, LUBRICATING OIL	55
A29_005	FILTER, LUBRICATING OIL	57
A30_003	FRONT GEAR ACCESSORY DRIVE	59
A31_007	PISTON	61
A32_003	LEVER, LOCKER	63
A33_013	EXHAUST MANIFOLD	65
A35_002	IDLE GEAR	67
A36_004	COVER, FRONT GEAR	69
A37_001	BALANCE ASS'Y	71
A38_009	GAUGE, OIL LEVEL	73

CONTENTS

GROUP NO	GROUP NAME	PAGE
G. ENGINE		
A39_001	OIL FILLER CAP	75
A40_003	LIFT ASS'Y OPTION	77
A41_001	COMP,DRIVE PULLEY ASS'Y OPTION	79
A42_003	MOTER, STARTIONS	81
A43_001	DPF SUPPORT OPTION	83
A44_006	DPF MOUNTING OPTION	85
A45_004	DPF	87
A48_006	V-BELT	89
A56_001	LOOSED PARTS	91
B. ENGINE ACCESSORIES		
B01010	FUEL TANK	93
B01032	FUEL LINE	95
B02020	RADIATOR	97
B02040	WATER PIPE	99
B02050	AUXILIARY COOLANT TANK	101
B03010	AIR CLEANER	103
B03031	MUFFLER	105
B05010M	ACCELERATION SYSTEM	107
C. CLUTCH, BREAK, LEVER		
C01010	CLUTCH DISC	109
C01030	CLUTCH PADAL	111
C02010	BRAKE PEDAL	113
C02030	BRAKE ROD	115
C02064	SIDE BRAKE	117
C03010	HST PEDAL	119
C04000M	LEVER&PEDAL ASS'Y	121
C04040M	DIFF. LOCK PEDAL	123
D. HYDRAULIC		
D01010	HYDRAULIC PUMP	125
D01011	HYDRAULIC OIL LINE	127
D01012	HYDRAULIC OIL LINE/DELIVERY	129
D02010	STEERING WHEEL	131
D02011	STEERING MOUNTING	133
D02020	STEERING VALVE	135

CONTENTS

GROUP NO	GROUP NAME	PAGE
D. HYDRAULIC		
D02030	PST HOSE	137
D02041	PST COVER	139
E. FRONT AXLE		
E01010	FRONT AXLE CASE	141
E01030	GEAR CASE, FRONT AXLE	143
E01030-1	GEAR CASE, FRONT AXLE	145
E01040	FRONT DIFFERENTIAL	147
E01050	BEVEL GEAR	149
E01070M	FRONT DRIVE SHAFT	151
E01080	TIE ROD	153
F. TRANSMISSION		
F01010	CLUTCH HOUSING	155
F01020H-A	TRANSMISSION CASE	157
F01040	REAR AXEL CASE	159
F01050	HYD TRANSMISSION HOUSING	161
F01051	NEUTRE HOLDER LINK	163
F01070	DIFFERENTIAL GEAR CASE	165
F02020	CLUTCH SHAFT	167
F02090	CENTER FRAME	169
F02110H	PROPELLER SHAFT	171
F02120H	FRONT SHAFT	173
F02130H	HYDRAULIC OIL LINE, CLUTCH	175
F03010H	MAIN SHIFT DRIVE SHAFT	177
F03040H	RANGE SHIFT DRIVE SHAFT	179
F04010H	FRONT WHEEL DRIVE SHAFT	181
F05020	REARR DIFFERNTIAL	183
F06010	REAR AXLE	185
F07030H	PTO DRIVE SHAFT	187
F07070H-A	PTO SHAFT	189
F07080	MID PTO	191
F08022	RANGE SHIFT FORK	193
F08050	DIFFERENTIAL LOCK SHIFT FORK	195
F08060H	PTO FORK	197
F10010-B	HYD. CYLINDER CASE	199

CONTENTS

GROUP NO	GROUP NAME	PAGE
F. TRANSMISSION		
F10020	LIFT ARM	201
F10064-B	POSITION CONTROL LEVER	203
F10070-B	SHAFT, CONTROL LEVER	205
F10080-B	HYD VALVE	207
F10160H	HYDRAULIC OIL LINE, HST	209
F11020-A	RANGE SHIFT LEVER	211
F11030	PTO GEAR SHIFT LEVER	213
F11080	4WD LEVER	215
G. SHEET METAL, CABIN		
G01020	BONNET	217
G01060	FIXED BRACKET, BONNE	219
G01080	BRACKET, FRONT AXLE	221
G04020	DASHBOARD	223
G04060	SUB STEP	225
G04070	DRIVER'S SEAT	227
G04071	FLOOR SEAT	229
G04083M	LEVER GUIDE	231
G04090	FENDER	233
G04093	FENDER STAY	235
G04120-A	ROPS	237
G05020	TOP LINK	239
G05030	LOWER LINK	241
G05050	LIFT LINK	243
G05054-A	CHECK CHAIN	245
G05070	DRAW BAR	247
G05090	PTO COVER	249
H. ELECTRICALS, HARNESS		
H01030	BATTERY	251
H02010	HEADLIGHT	253
H02022	COMBINATION LAMP/RR	255
H02050	TURN INDICATOR	257
H03040	MAIN HARNESS	259
H04051	SWITCH/DASHBOARD	261
H04054	SWITCH/BRAKE	263

CONTENTS

GROUP NO	GROUP NAME	PAGE
H. ELECTRICALS, HARNESS		
H04060M	ELETRIC APPARATUS	265
I. WEIGHT, TOOLS, TIRE		
I01010	WEIGHT	267
I02010	TOOL BOX	269
I03020	LABEL	271

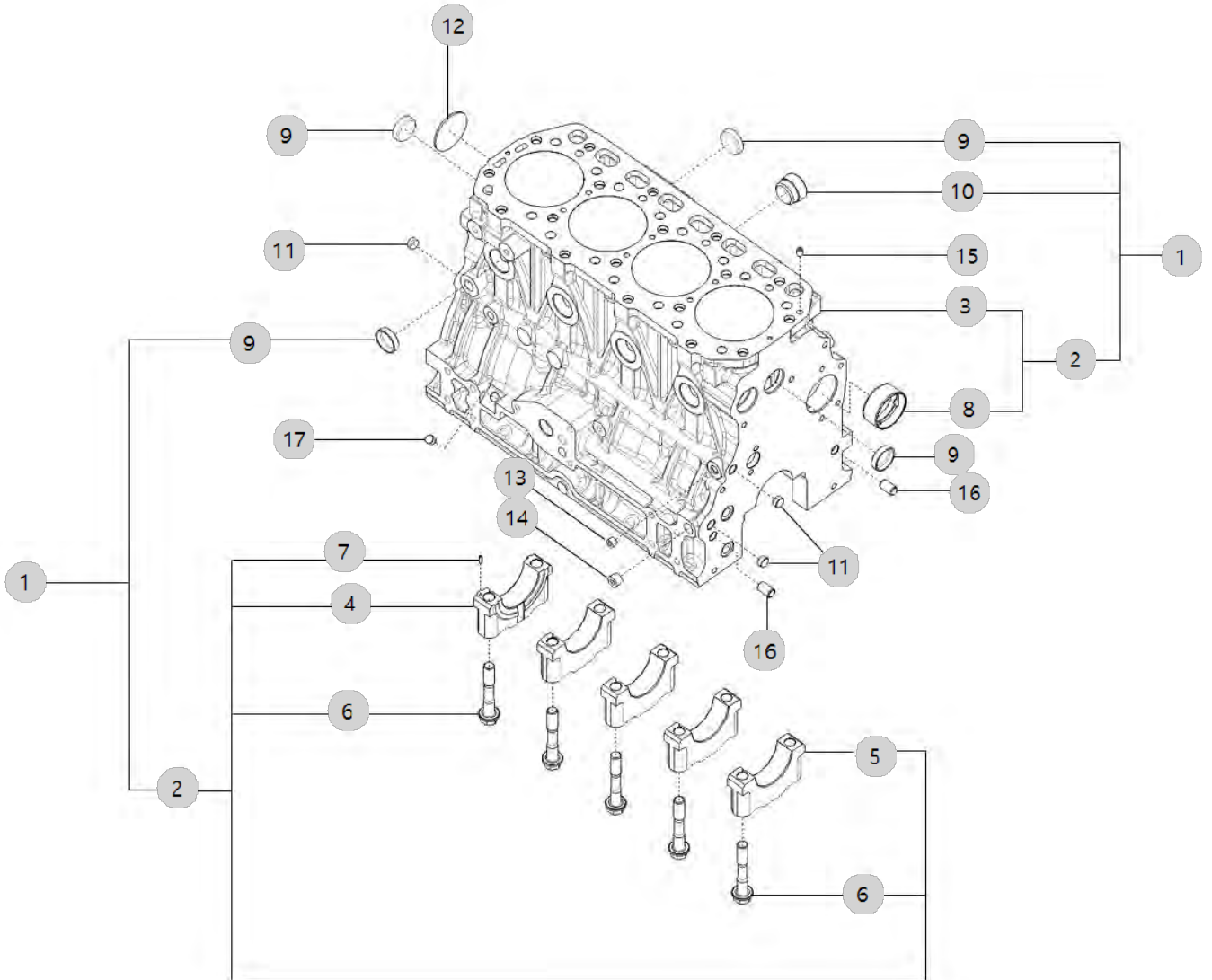
A01_007

A1100N4-ETR_5
(AB00400)

CYLINDER BLOCK

Year/Month

2023-01-17



A01_007 A1100N4-ETR_5 (AB00400)	CYLINDER BLOCK	Year/Month
		2023-01-17

순번 (NO)	부품번호 (PART NO)	품명 (PART NAME)	품명 (PART NAME)	수량 (QTY)	규격 (SPEC)	비고 (REMARK)
1	EA00004707B	실린더블록조합부	CYLINDER BLOCK ASS'Y OPTION	1		
1	EA00004707A	실린더블록조합부	CYLINDER BLOCK ASS'Y OPTION	1		
2	HRA0103100A9	실린더블록조합(A2300)	BLOCK ASS'Y, CYLINDER	1		
3	HRA0103101D0	실린더블록	BLOCK, CYLINDER	1	NONE	
3	HRA0103101C0	실린더블록	BLOCK, CYLINDER	1	NONE	
3	HRA0103101F0	실린더블록	BLOCK, CYLINDER	1	NONE	
3	HRA0103101B0	실린더블록	BLOCK, CYLINDER	1	NONE	
3	HRA0103101E0	실린더블록	BLOCK, CYLINDER	1	NONE	
3	HRA0103101H0	실린더블록	BLOCK, CYLINDER	1	NONE	
4	HRA0100102B3	베어링캡(1)	CAP,MAIN BEARING	1		
5	HRA0100103B3	베어링캡(2)	CAP,MAIN BEARING	4		
6	HRA0100104A4	볼트(베어링캡)	SCREW,HEXFLANGEHEADCAP	10	M12X1.5X75	
6	HRA0100104B4	볼트(베어링캡)	SCREW,HEX FLANGE HEAD CAP	10	M12X1.5	
7	22351-030010	스프링핀	PIN, SPRING (3-01)	1	D3X10	
8	HRU0100105A3	부시(캠축)	BUSH, CAM SHAFT	1		
9	27241-300000	캡형플러그 30	PLUG (D30)	8	D30XT1.6	
10	HM23030000A4	플러그(블록히터)	PLUG	1	NPTF1"	
11	HT01010300A4	테이퍼 플러그 (PT 1/4")	PLUG PIPE	3	PT 1/4"	
11	HRA0100108A4	576,ALL,플러그12	PLUG,EXPANSION	3		
12	27231-500000	접시형플러그 50	PLUG,EXPANSION	1	D50XT2.0	
13	23871-010000	테이퍼플러그	PLUG	1	PT1/8	
14	23871-020000	테이퍼플러그(PT1/4)	Plug, Pipe	1	PT1/4	
15	HRA0100800A4	핀(오일)	PIN,OIL	1		
16	HRA0201100A4	노크핀	PIN,GUIDE	2		
17	HRT0300500A4	플러그	PLUG,EXPANSION	1	D10	

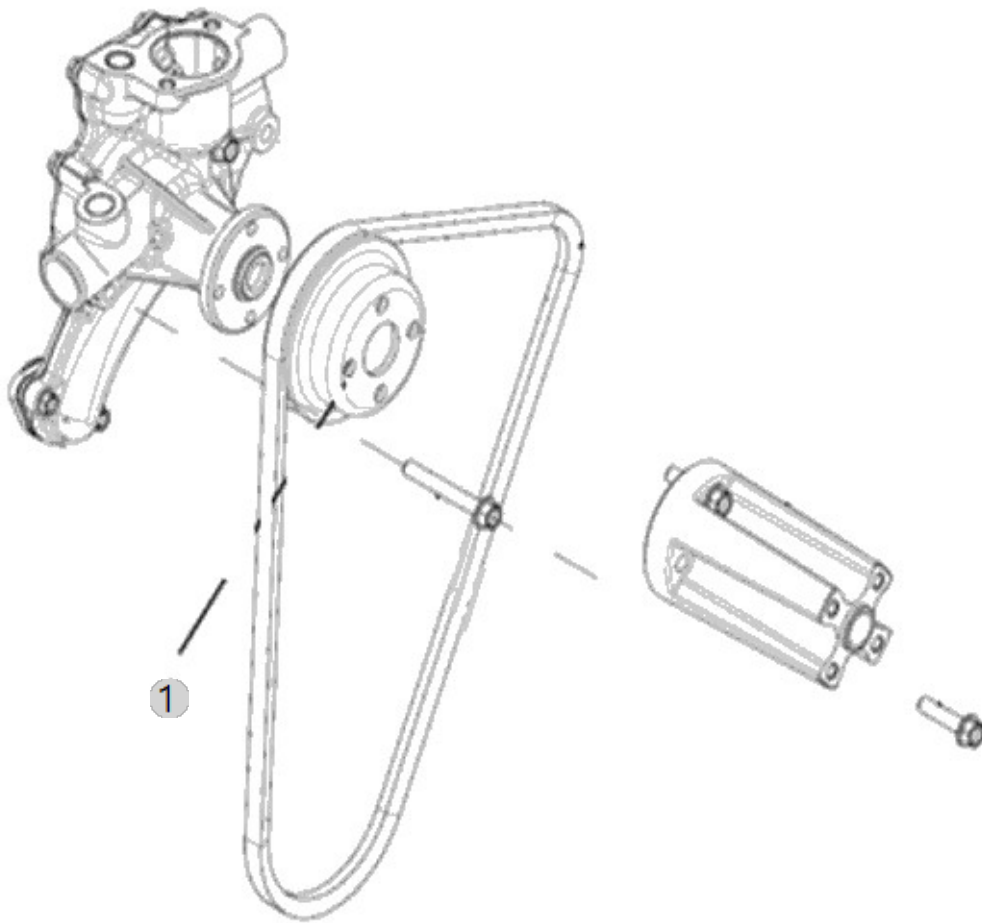
A02_005

A1100N4-ETR_5
(AB00400)

DRIVE PULLEY

Year/Month

2023-01-17



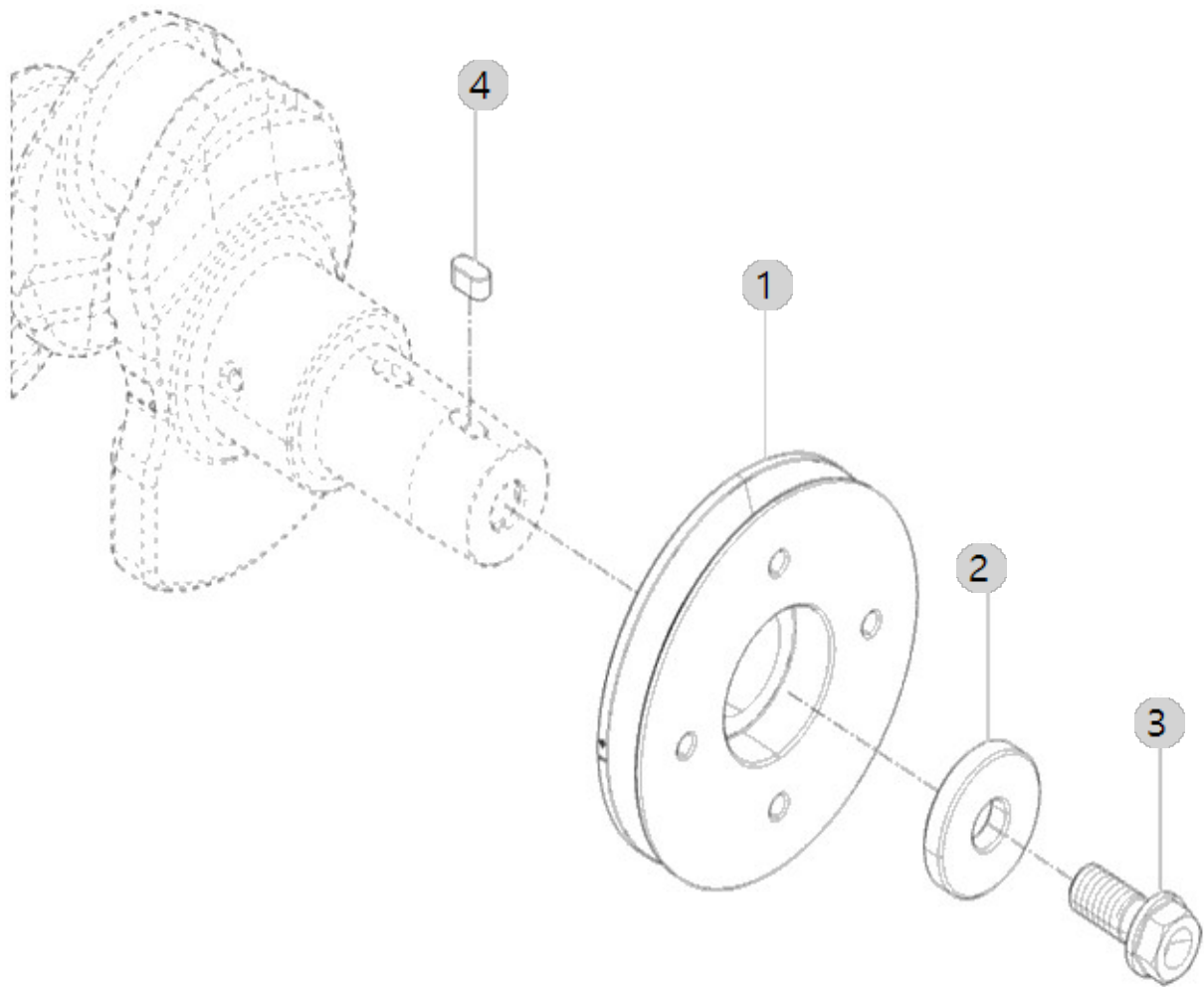
A03_004

A1100N4-ETR_5
(AB00400)

CRANK SHAFT PULLEY

Year/Month

2023-01-17



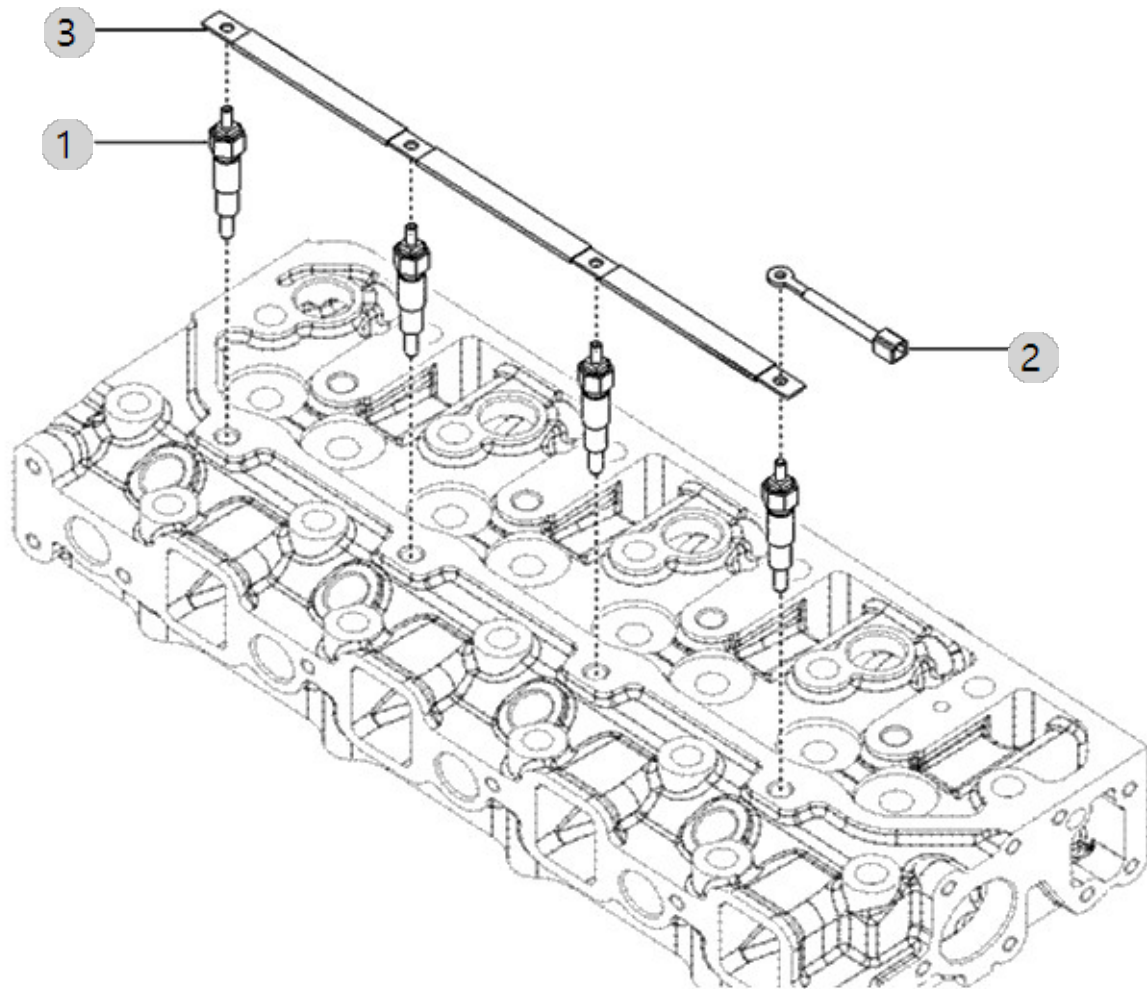
A04_005

A1100N4-ETR_5
(AB00400)

GLOW PLUG ASS'Y OPTION

Year/Month

2023-01-17



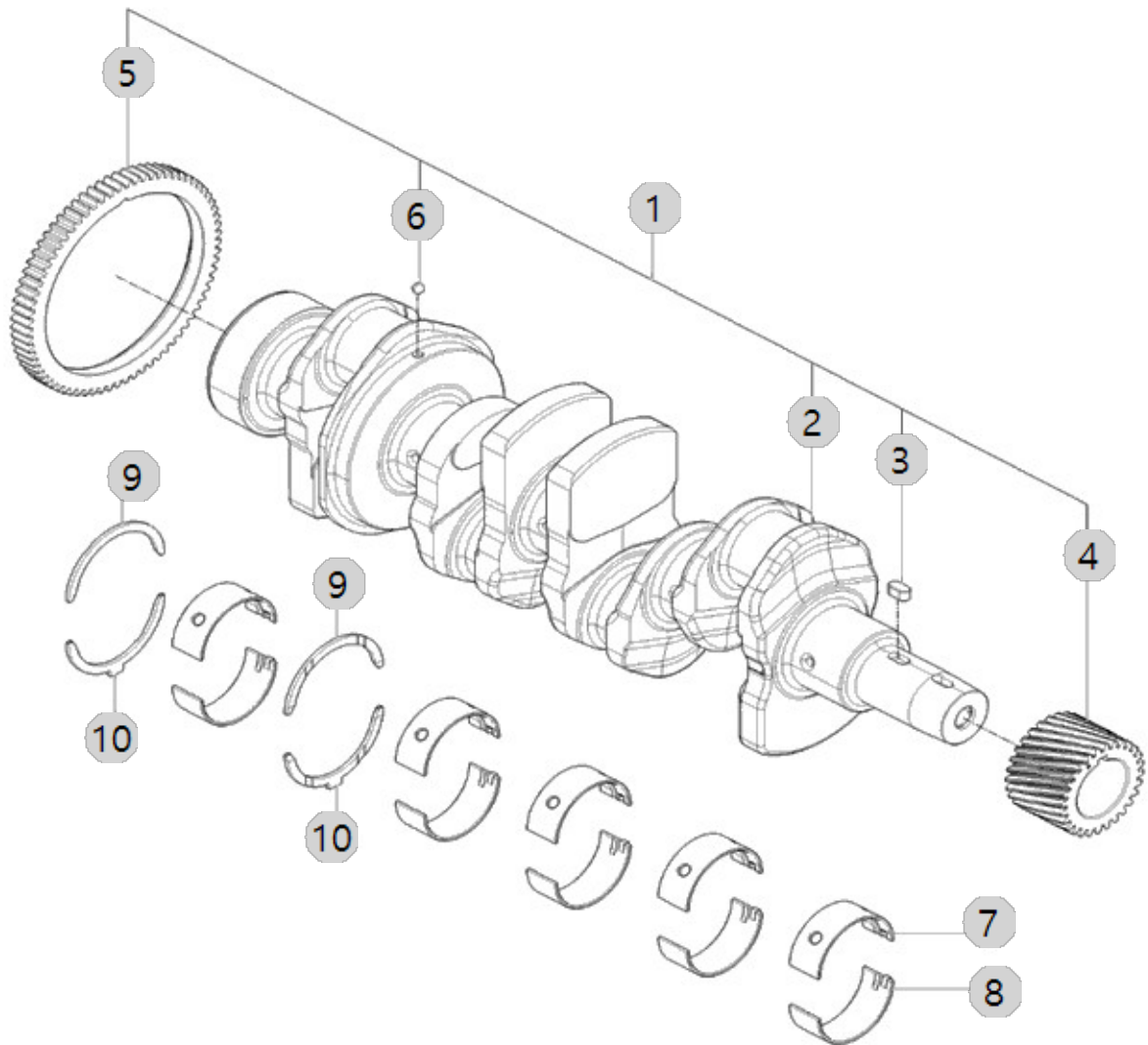
A05_005

A1100N4-ETR_5
(AB00400)

CRANK SHAFT ASS'Y OPTION

Year/Month

2023-01-17



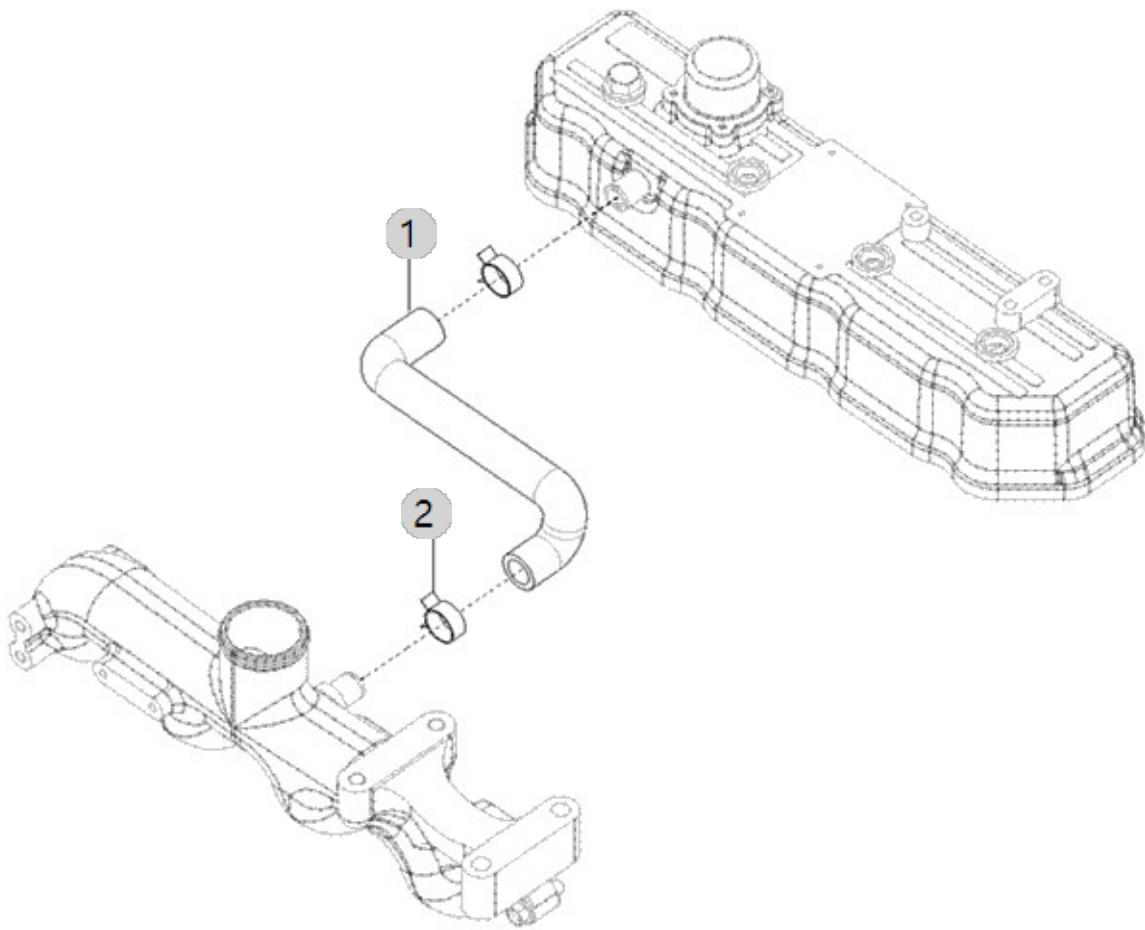
A06_004

A1100N4-ETR_5
(AB00400)

BREATHER OPTION

Year/Month

2023-01-17



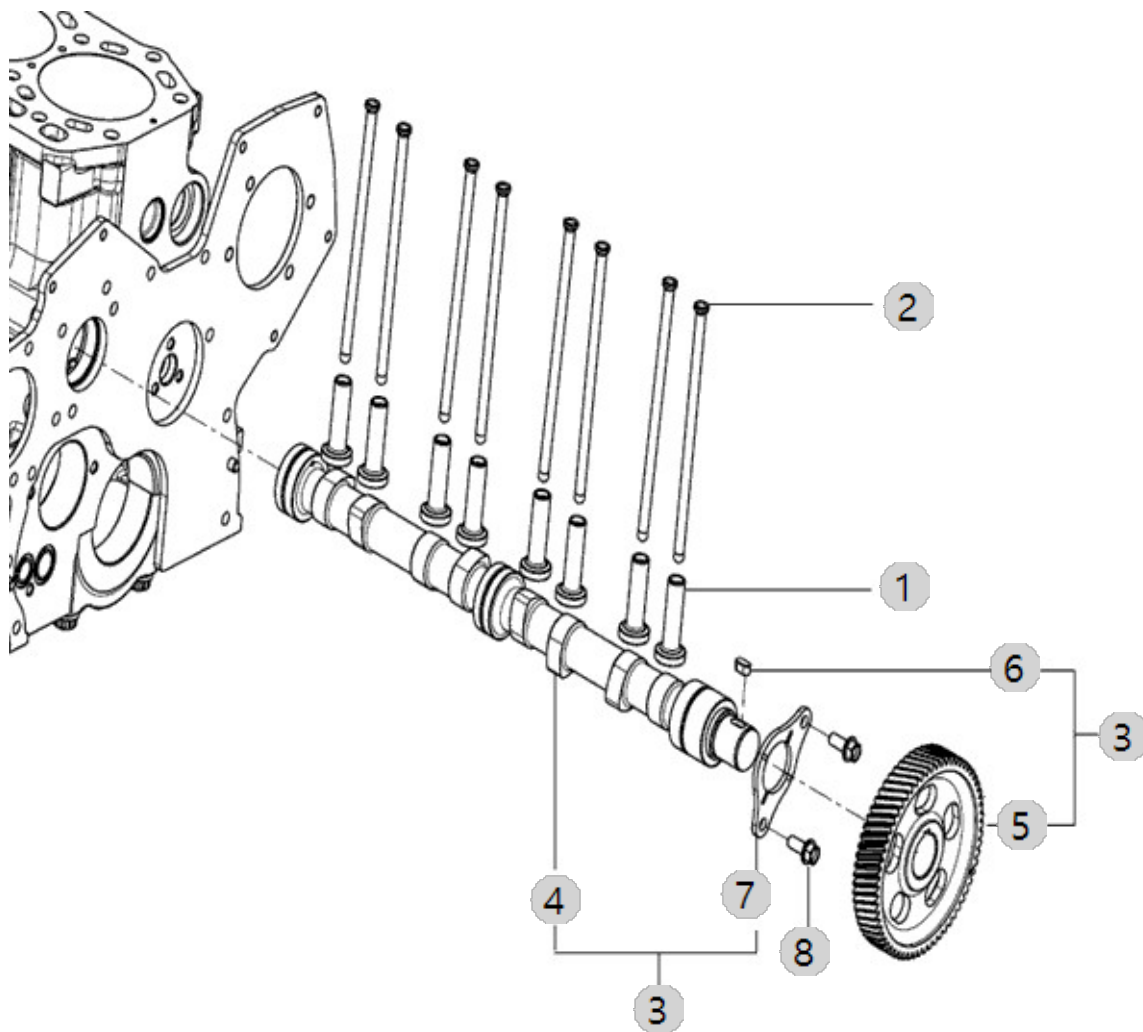
A07_005

A1100N4-ETR_5
(AB00400)

CAMSHAFT

Year/Month

2023-01-17



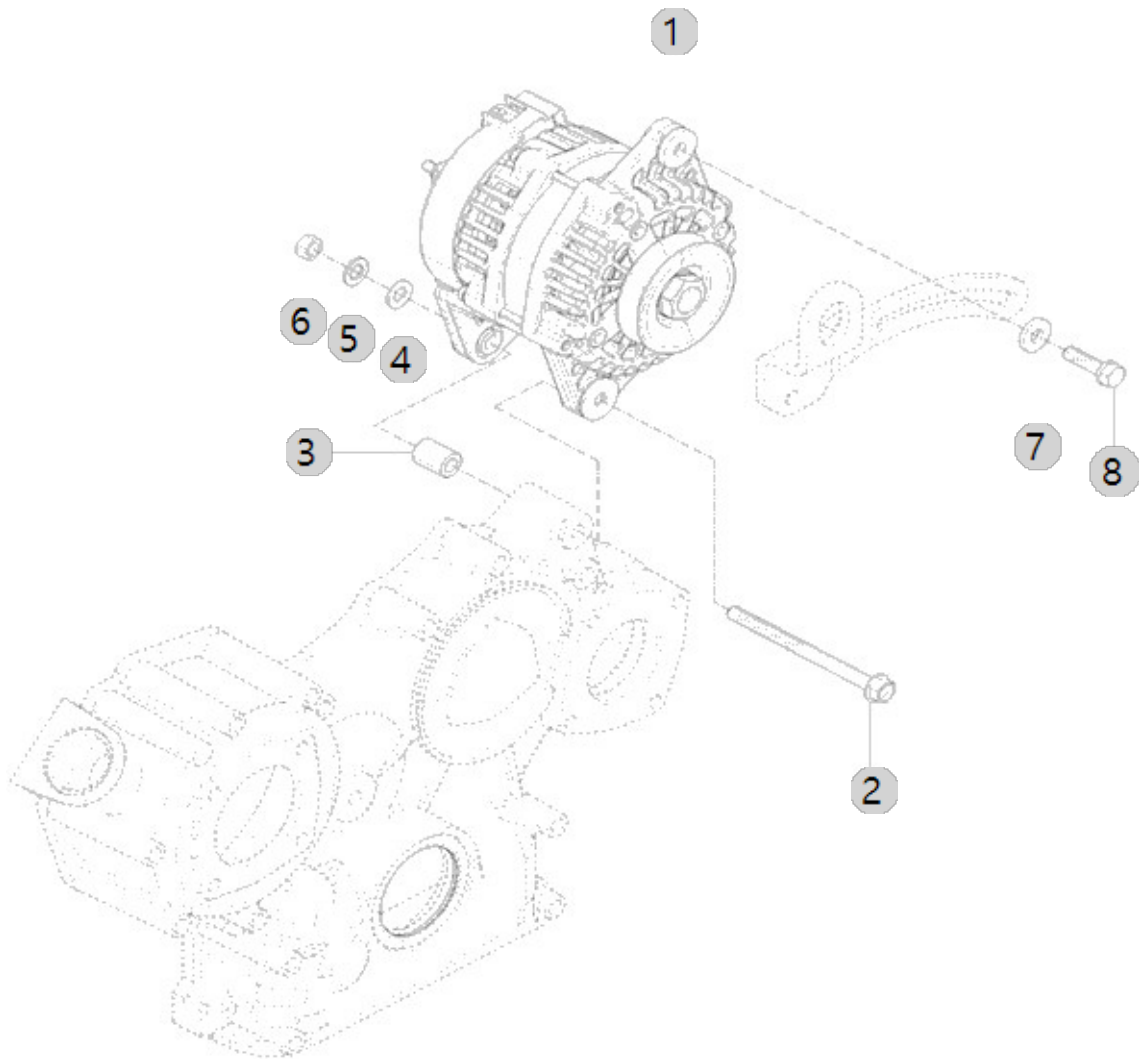
A08_005

A1100N4-ETR_5
(AB00400)

ALTERNATOR

Year/Month

2023-01-17



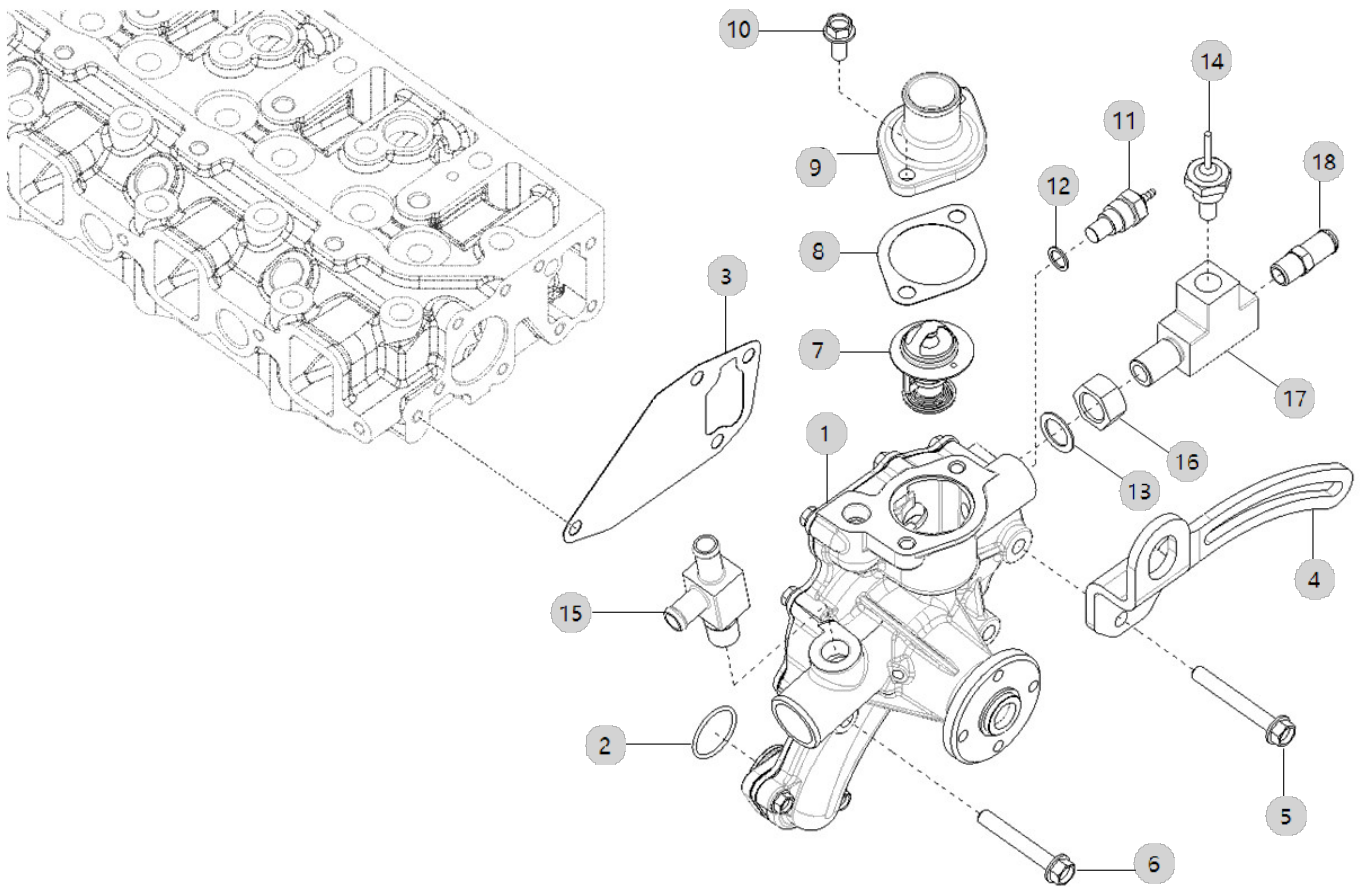
A09_006

A1100N4-ETR_5
(AB00400)

COOLING WATER PUMP

Year/Month

2023-01-17



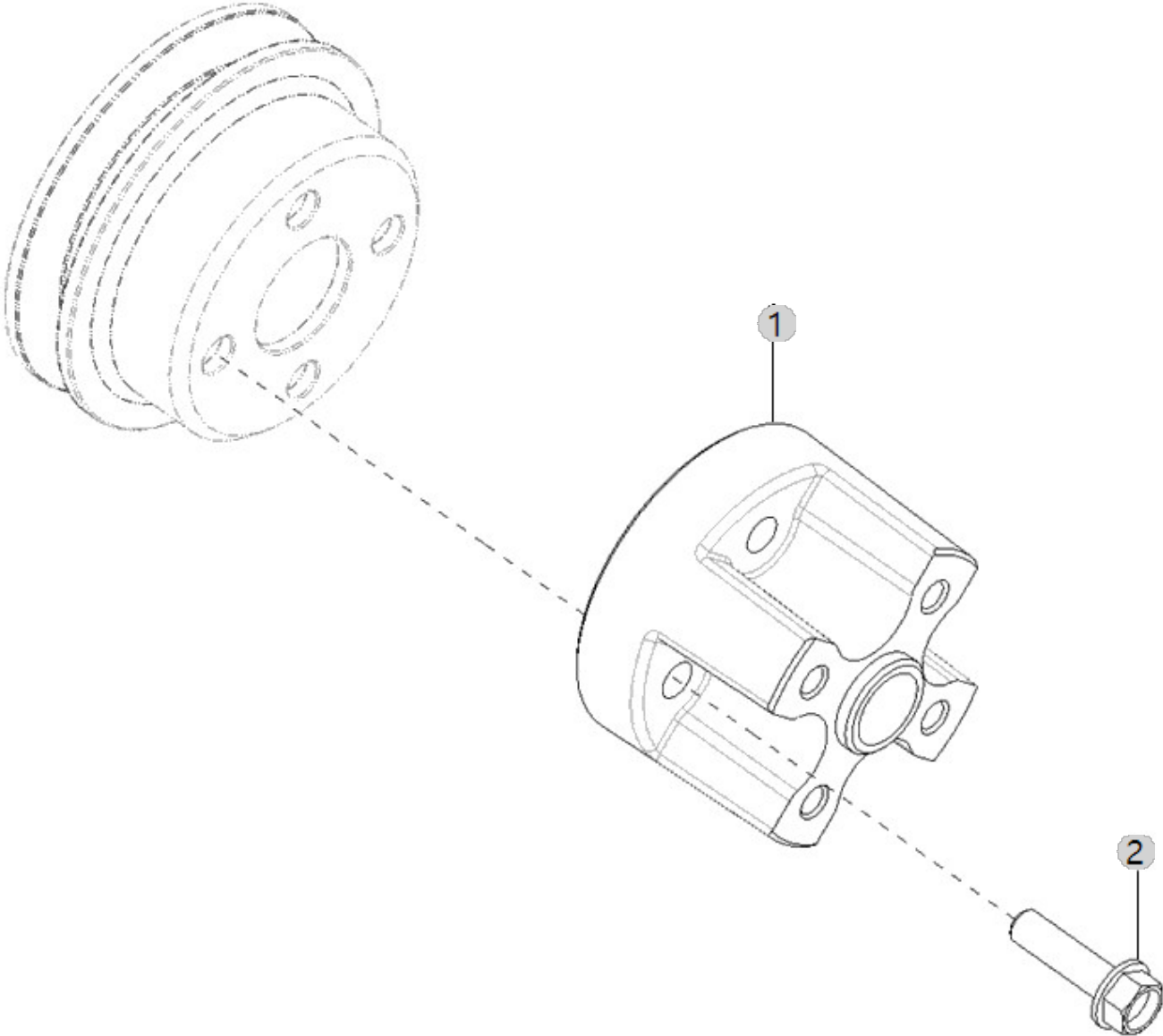
A10_008

A1100N4-ETR_5
(AB00400)

COOLING FAN SPACER

Year/Month

2023-01-17



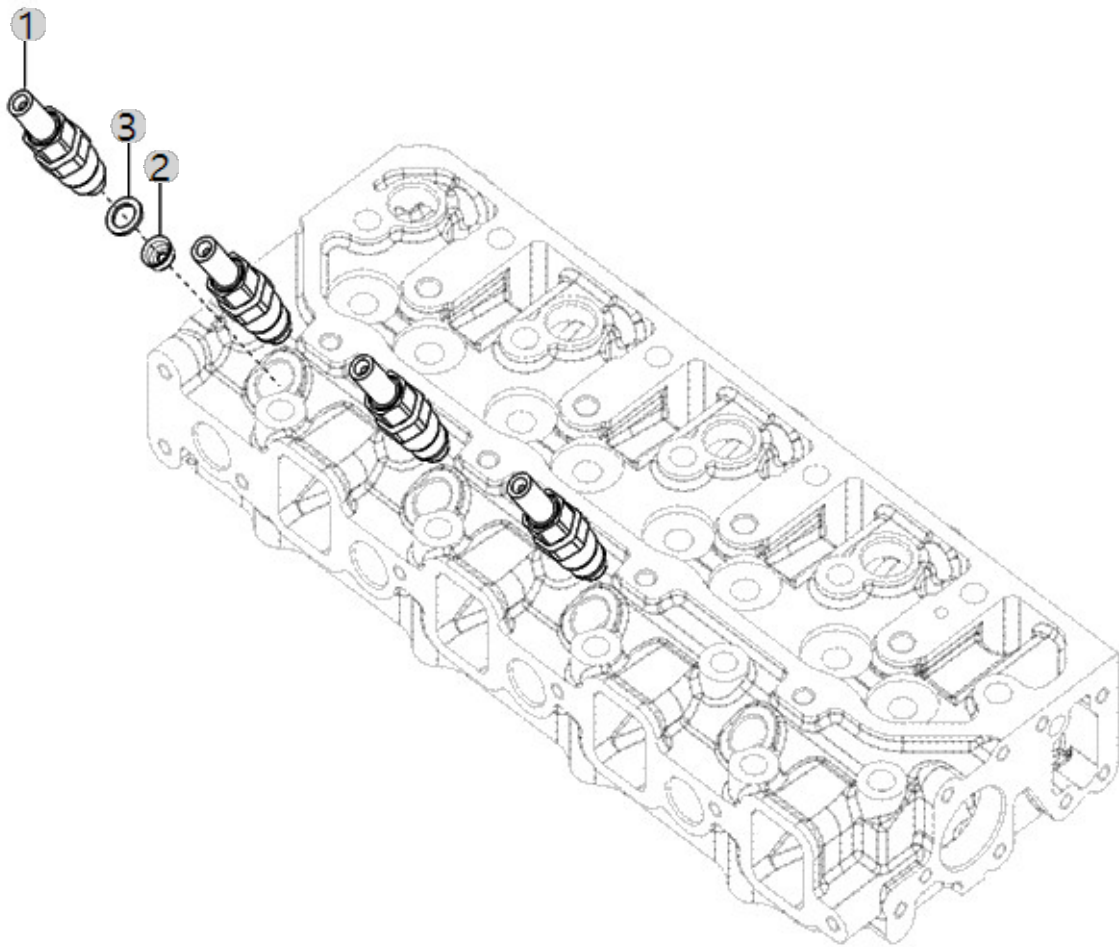
A11_007

A1100N4-ETR_5
(AB00400)

INJECTOR

Year/Month

2023-01-17



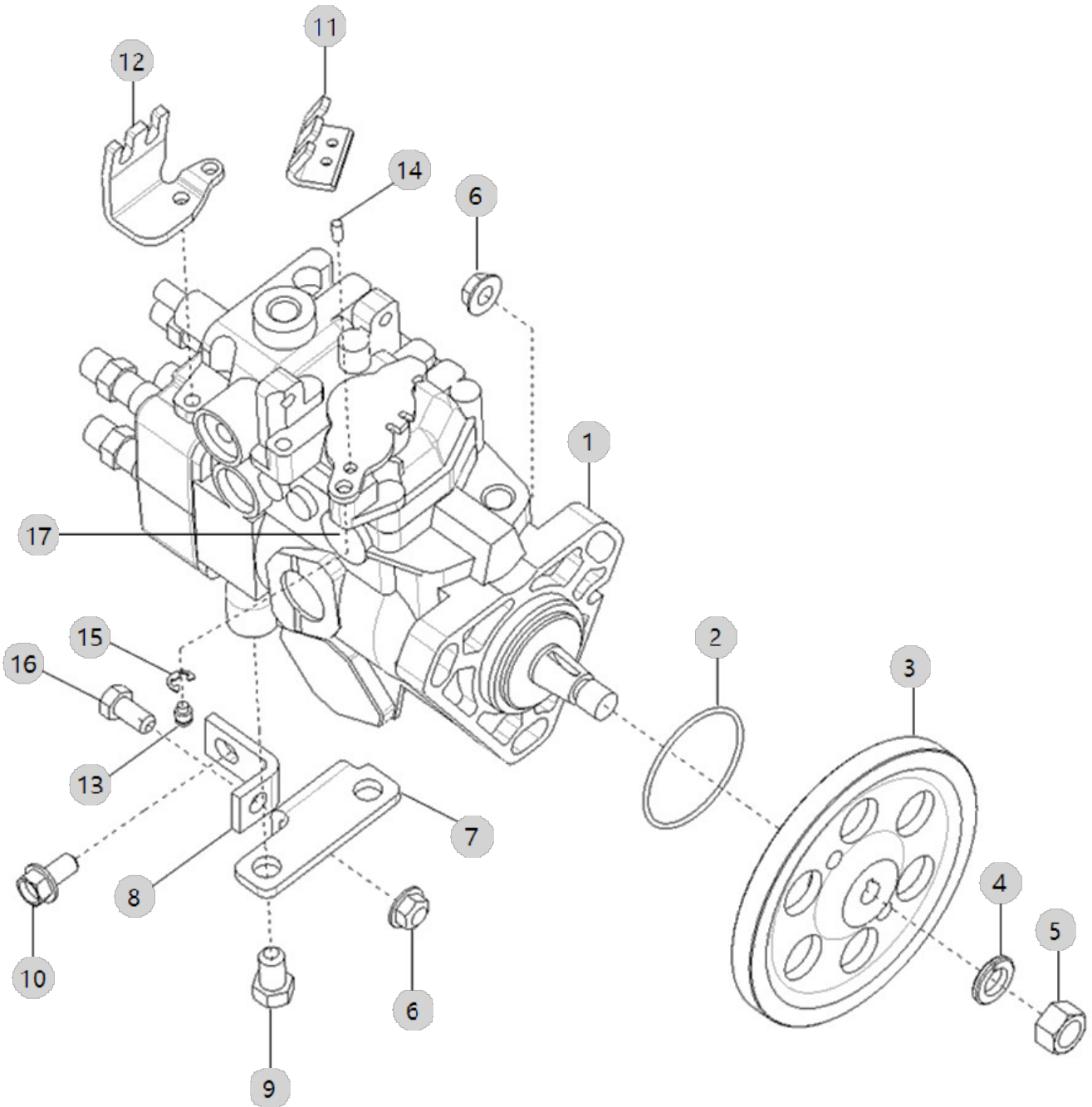
A12_014

A1100N4-ETR_5
(AB00400)

FUEL INJECTOR

Year/Month

2023-01-17



A12_014 A1100N4-ETR_5 (AB00400)	FUEL INJECTON	Year/Month
		2023-01-17

순번 (NO)	부품번호 (PART NO)	품명 (PART NAME)	품명 (PART NAME)	수량 (QTY)	규격 (SPEC)	비고 (REMARK)
1	EA00002882B	연료분사펌프조합	FUEL INJECTION PUMP	1		
1	EA00002882A	연료분사펌프조합 - 트랙	FUEL INJECTION PUMP	1		
2	24311-000500	O링	O-RING, DYNAMIC (Φ50)	1	P50	
3	HRA070080DC3	연료분사펌프기어	GEAR,FUEL PUMP	1		
3	HRA070080DB3	연료분사펌프기어	GEAR,FUELPUMP	1		
4	22217-120000	스프링와셔	WASHER, SPRING (Φ 12)	1	M12	
5	26716-120002	295,ALL,육각너트	HEXA NUT295	1	M12X1.75	
6	26367-080002	259, 육각플랜지너트	HEX FLANGE NUT (Φ8)	4	M8XP1.25	
7	HRA130020DA4	296,A202322,VE지지브라켓(A)	BRACKET(B),PUMP	1	T 4.5	
7	HRA130020DB4	VE지지브라켓(A)	BRACKET,PUMP	1	T 4.5	
8	HRA130030DA4	297,A202322,VE지지브라켓(B)	BRACKET(A),PUMP	1	T 4.5	
8	HRA130030DB4	VE지지브라켓(B)	BRACKET,PUMP	1	T 4.5	
9	26116-100162	육각보울트	SCREW,HEXAGONHEADCAP	2	M10X1.5X16	
10	26106-080162	플랜지볼트8X16	SCREW,HEXFLANGEHEADCAP	1	M8XP1.25X16	
11	EA00004970A	후크-엑셀레버	LEVER, HOOK,ACCEL	1		
11	EA00004970B	후크-엑셀레버	LEVER, HOOK,ACCEL	1		
12	EA00006027A	서포트(엑셀레버)	SUPPORT(ACCELERATOR LEVER)	1	T4.0	
12	EA00006027B	서포트(엑셀레버)	SUPPORT(ACCELERATOR LEVER)	1	T4.0	
13	HRA1300702A9	고정핀	PIN	1		
14	EA00002103A	핀	PIN	1	N4	
15	22272-000050	E형스냅링5	RING, CIRCLIP (Φ 05)	1	D5	
16	26116-080162	육각볼트	SCREW,HEXAGONHEADCAP	1	M8X1.25X16	
17	EA00003768A	픽업센서	PICKUP SENSOR	1		

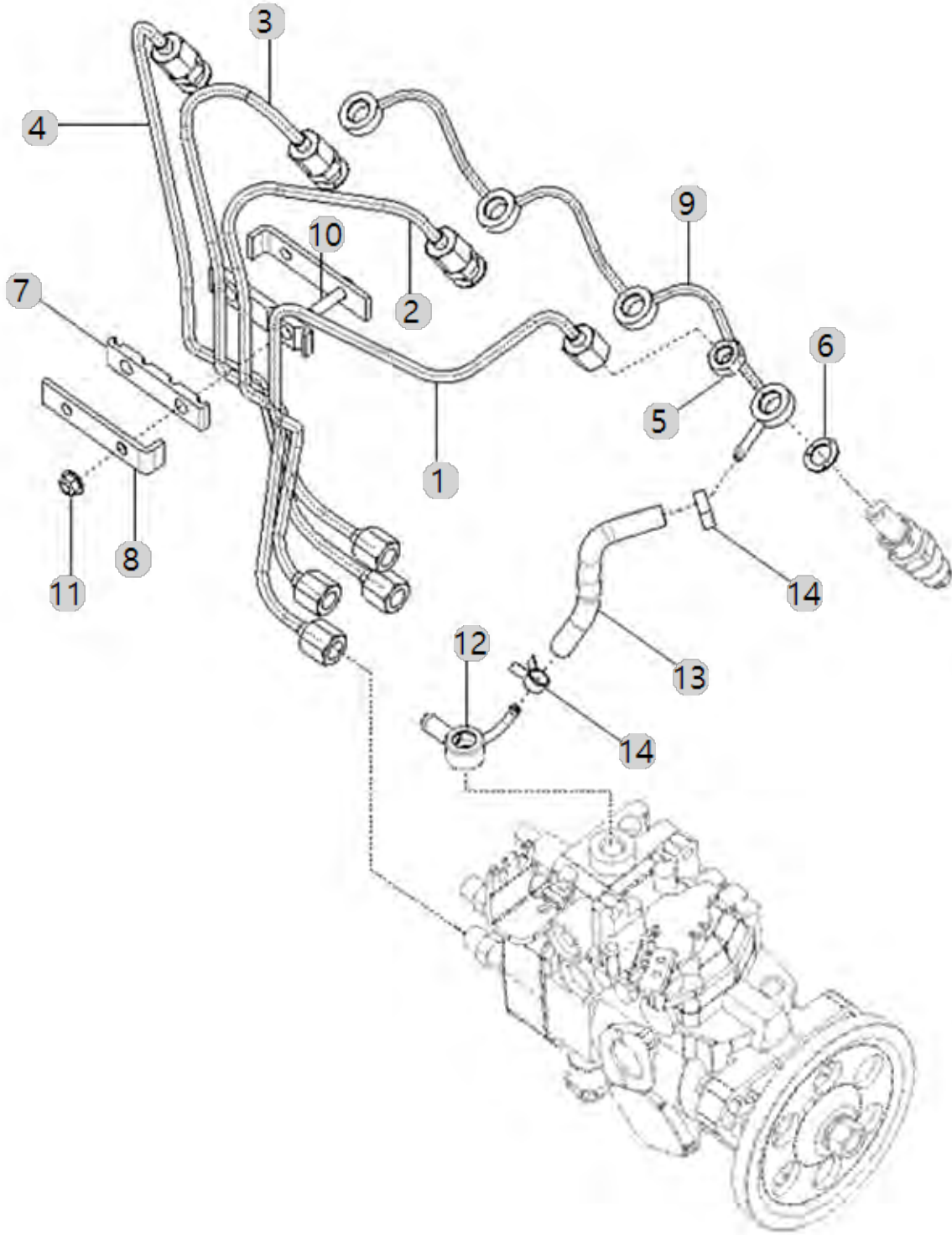
A13_005

A1100N4-ETR_5
(AB00400)

PLUMBING, FUEL

Year/Month

2023-01-17



A13_005 A1100N4-ETR_5 (AB00400)		PLUMBING, FUEL				Year/Month 2023-01-17
순번 (NO)	부품번호 (PART NO)	품명 (PART NAME)	품명 (PART NAME)	수량 (QTY)	규격 (SPEC)	비고 (REMARK)
1	HRA150050DB0	299,A202322,연료파이프조합(A)	PIPE ASSY, FUEL SUPPLY A	1		
1	HRA150050DC0	연료파이프조합(A)	TUBE,INJECTOR FUEL SUPPLY	1		
1	HRA150050DB0	299,A202322,연료파이프조합(A)	PIPE ASSY, FUEL SUPPLY A	1		
1	HRA150050DB0	299,A202322,연료파이프조합(A)	PIPE ASSY, FUEL SUPPLY A	1		
2	HRA150060DB0	300,A202322,연료파이프조합(B)	PIPE ASSY, FUEL SUPPLY (B)	1		
2	HRA150060DB0	300,A202322,연료파이프조합(B)	PIPE ASSY, FUEL SUPPLY (B)	1		
2	HRA150060DB0	300,A202322,연료파이프조합(B)	PIPE ASSY, FUEL SUPPLY (B)	1		
2	HRA150060DC0	연료파이프조합(B)	TUBE,INJECTOR FUEL SUPPLY	1		
3	HRA150070DB0	301,A202322,연료파이프조합(C)	PIPE ASSY, FUEL SUUPPLY C	1		
3	HRA150070DC0	연료파이프조합(C)	TUBE,INJECTOR FUEL SUPPLY	1		
3	HRA150070DB0	301,A202322,연료파이프조합(C)	PIPE ASSY, FUEL SUUPPLY C	1		
3	HRA150070DB0	301,A202322,연료파이프조합(C)	PIPE ASSY, FUEL SUUPPLY C	1		
4	HRA150080DB0	302,A202322,연료파이프조합(D)	PIPE ASSY, FUEL SUPPLY D	1		
4	HRA150080DB0	302,A202322,연료파이프조합(D)	PIPE ASSY, FUEL SUPPLY D	1		
4	HRA150080DC0	연료파이프조합(D)	TUBE,INJECTOR FUEL SUPPLY	1		
4	HRA150080DB0	302,A202322,연료파이프조합(D)	PIPE ASSY, FUEL SUPPLY D	1		
5	HK13450000A4	육각고정너트	NUT,REGULARHEXAGON	4	M12X1.5	
5	HK13450000A4	육각고정너트	NUT,REGULARHEXAGON	4	M12X1.5	
5	HK13450000A4	육각고정너트	NUT,REGULARHEXAGON	4	M12X1.5	
5	HK13450000A4	육각고정너트	NUT,REGULARHEXAGON	4	M12X1.5	
6	HK13440000A4	306,ALL,패킹(조인트)(와류실)	GASKET,FUELMANIFOLD	4		
6	HK13440000A4	306,ALL,패킹(조인트)(와류실)	GASKET,FUELMANIFOLD	4		
6	HK13440000A4	306,ALL,패킹(조인트)(와류실)	GASKET,FUELMANIFOLD	4		
6	HK13440000A4	306,ALL,패킹(조인트)(와류실)	GASKET,FUELMANIFOLD	4		
7	HRA1502700A4	462,ALL,브래킷고무	RUBBER,BRACKET	2		
7	HRA1502700A4	462,ALL,브래킷고무	RUBBER,BRACKET	2		
7	HRA1502700A4	462,ALL,브래킷고무	RUBBER,BRACKET	2		
7	HRA1502700A4	462,ALL,브래킷고무	RUBBER,BRACKET	2		
8	HRA1502800A4	브래킷판	CLAMP,TUBE	1	T 3.2	
8	HRA1502800B4	브래킷판	CLAMP,TUBE	2	T 3.2	
8	HRA1502800A4	브래킷판	CLAMP,TUBE	2	T 3.2	
8	HRA1502800A4	브래킷판	CLAMP,TUBE	1	T 3.2	
8	HRA1502800A4	브래킷판	CLAMP,TUBE	1	T 3.2	
9	HRA1500900C3	퇴유파이프조합	PIPE ASSY, FUEL RETURN	1		
9	HRA1500900C3	퇴유파이프조합	PIPE ASSY, FUEL RETURN	1		
9	HRA1500900D3	퇴유파이프조합	PIPE ASSY, FUEL	1		
9	HRA1500900C3	퇴유파이프조합	PIPE ASSY, FUEL RETURN	1		
10	HRA1502600B4	브래킷(연료파이프)	BRACKET,PIPE	1		
10	HRA1502600B4	브래킷(연료파이프)	BRACKET,PIPE	1		
10	HRA1502600B4	브래킷(연료파이프)	BRACKET,PIPE	1		
10	HRA1502600B4	브래킷(연료파이프)	BRACKET,PIPE	1		
11	26367-060002	플랜지너트	Nut, Hexa (Φ6)	2	M6XP1.0	
11	26367-060002	플랜지너트	Nut, Hexa (Φ6)	2	M6XP1.0	
11	26367-060002	플랜지너트	Nut, Hexa (Φ6)	2	M6XP1.0	
11	26367-060002	플랜지너트	Nut, Hexa (Φ6)	2	M6XP1.0	

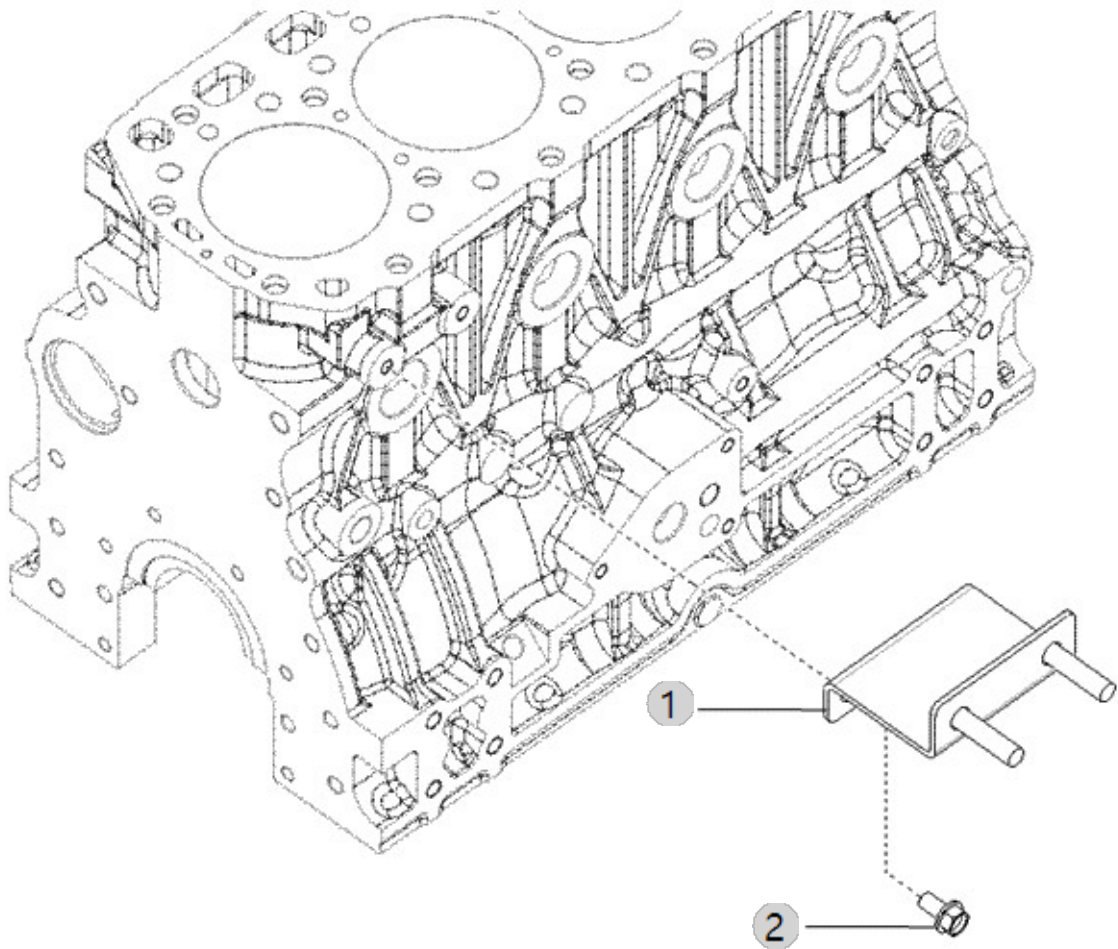
A14_003

A1100N4-ETR_5
(AB00400)

FUEL FILTER BRACKET

Year/Month

2023-01-17



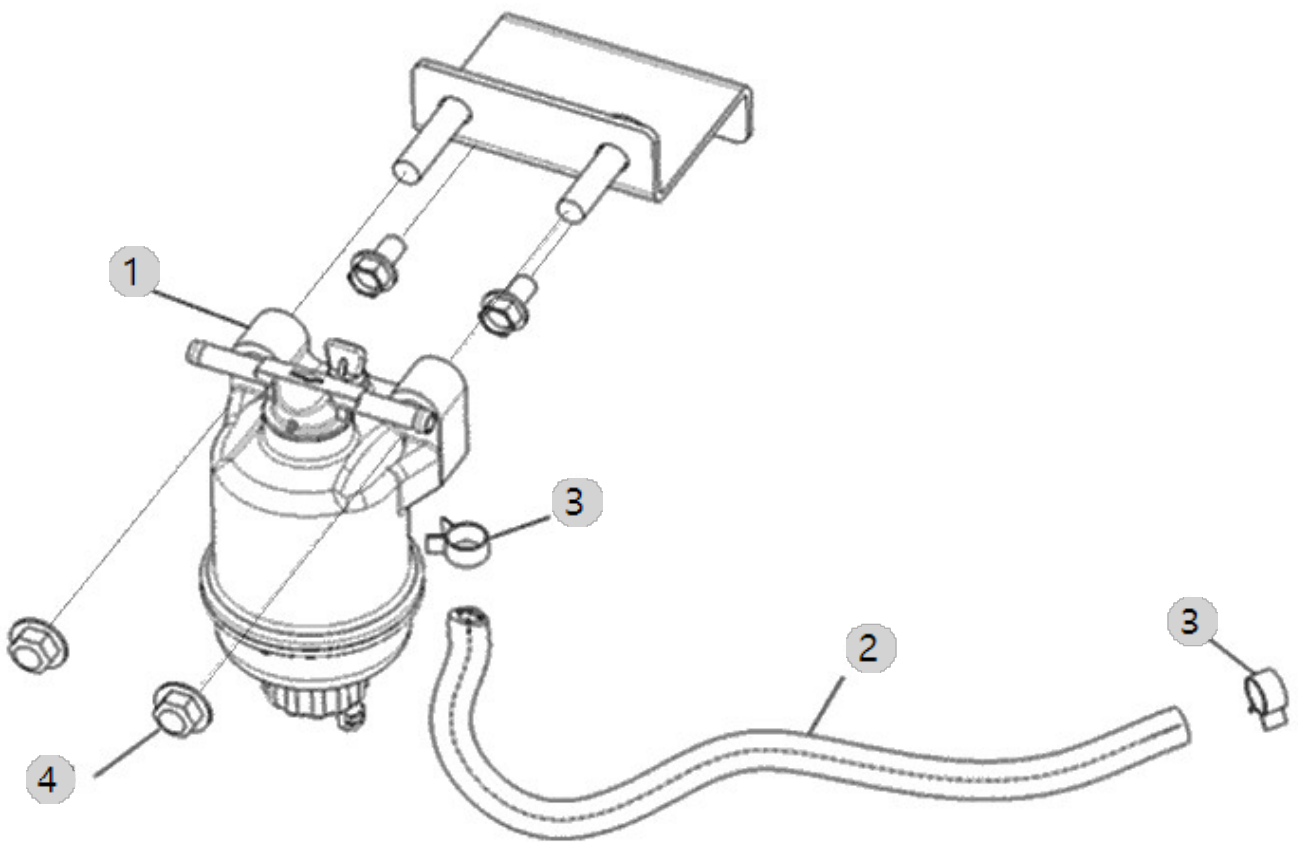
A16_003

A1100N4-ETR_5
(AB00400)

FUEL FILTER ASS'Y OPTION

Year/Month

2023-01-17



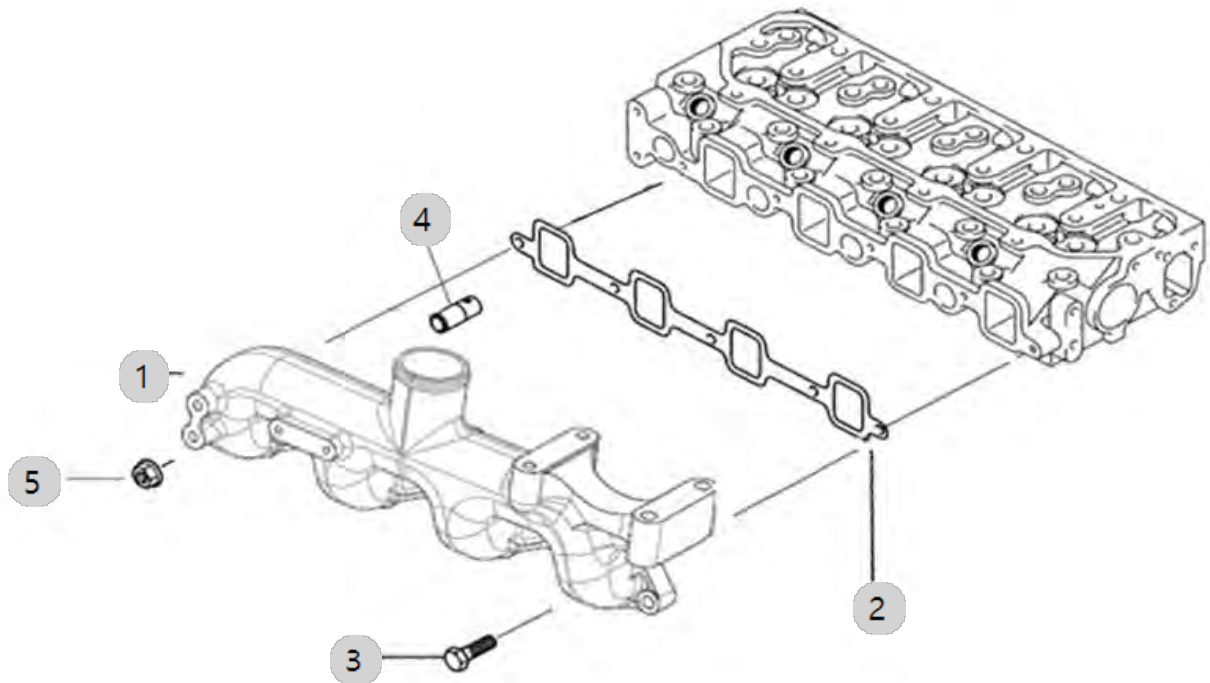
A17_012

A1100N4-ETR_5
(AB00400)

INTAKE MANIFOLD ASS'Y OPTION

Year/Month

2023-01-17



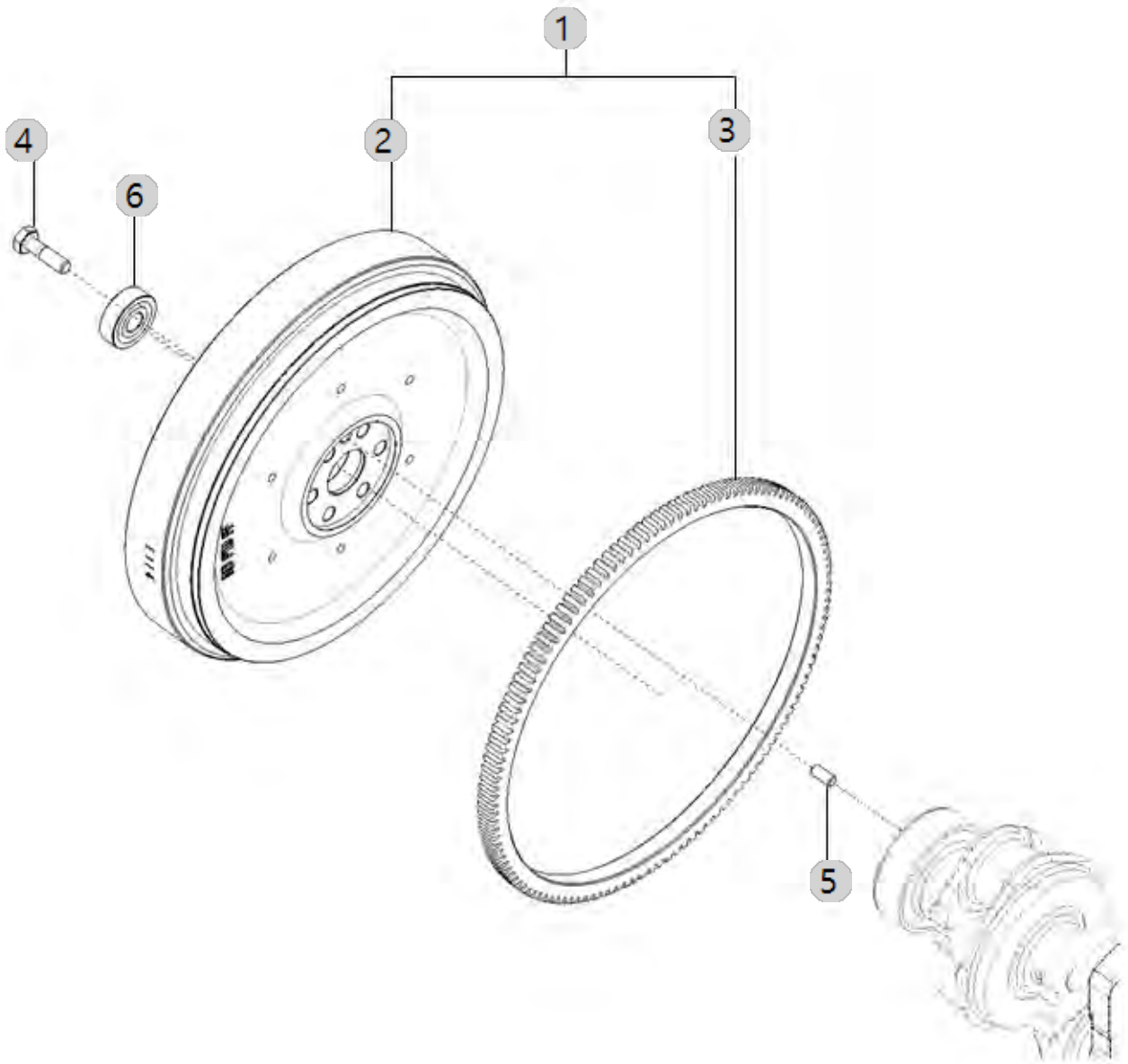
A18_010

A1100N4-ETR_5
(AB00400)

FLYWHEEL

Year/Month

2023-01-17



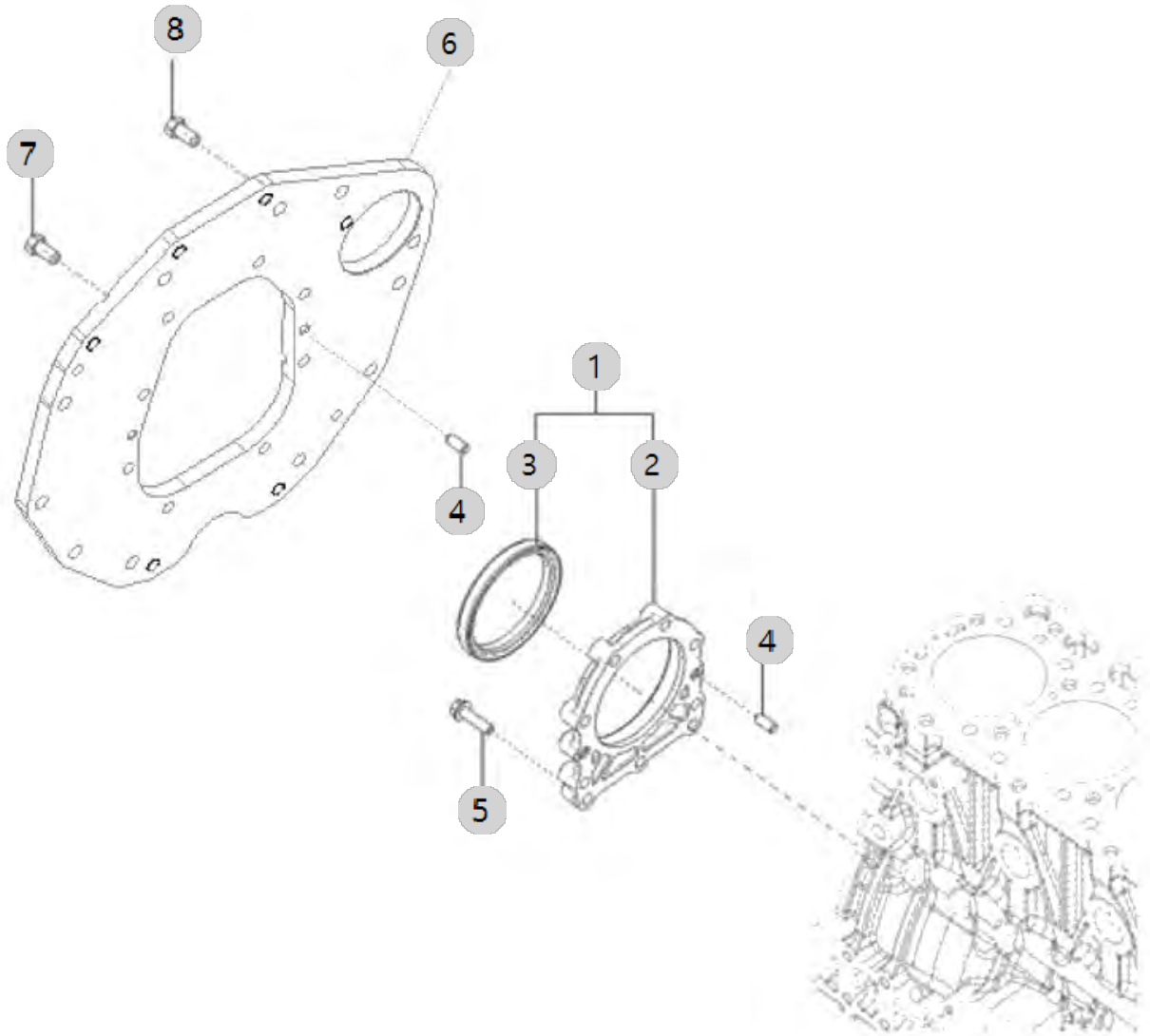
A19_010

A1100N4-ETR_5
(AB00400)

FLYWHEEL HOUSING

Year/Month

2023-01-17



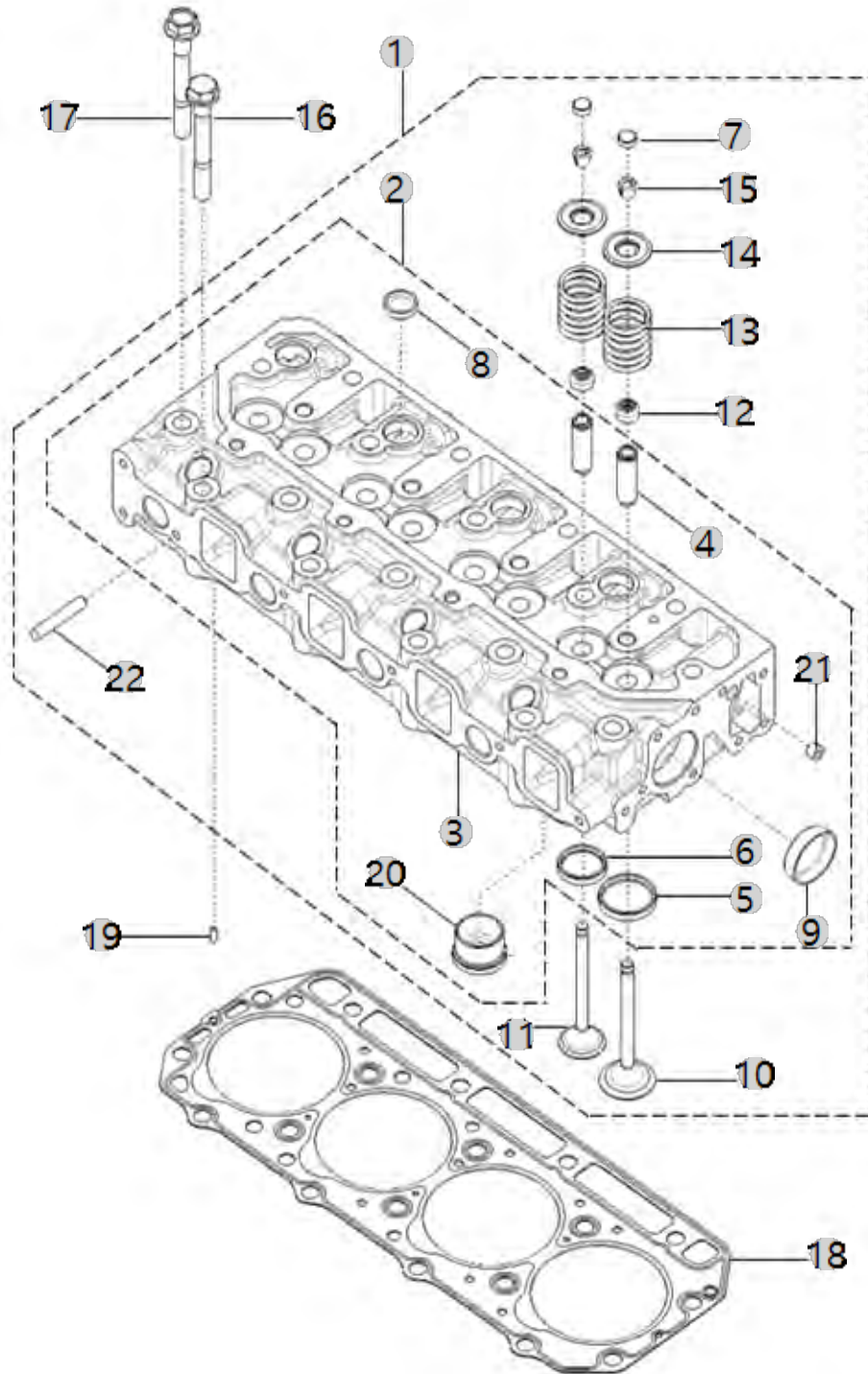
A20_010

A1100N4-ETR_5
(AB00400)

HEAD, CYLINDER

Year/Month

2023-01-17



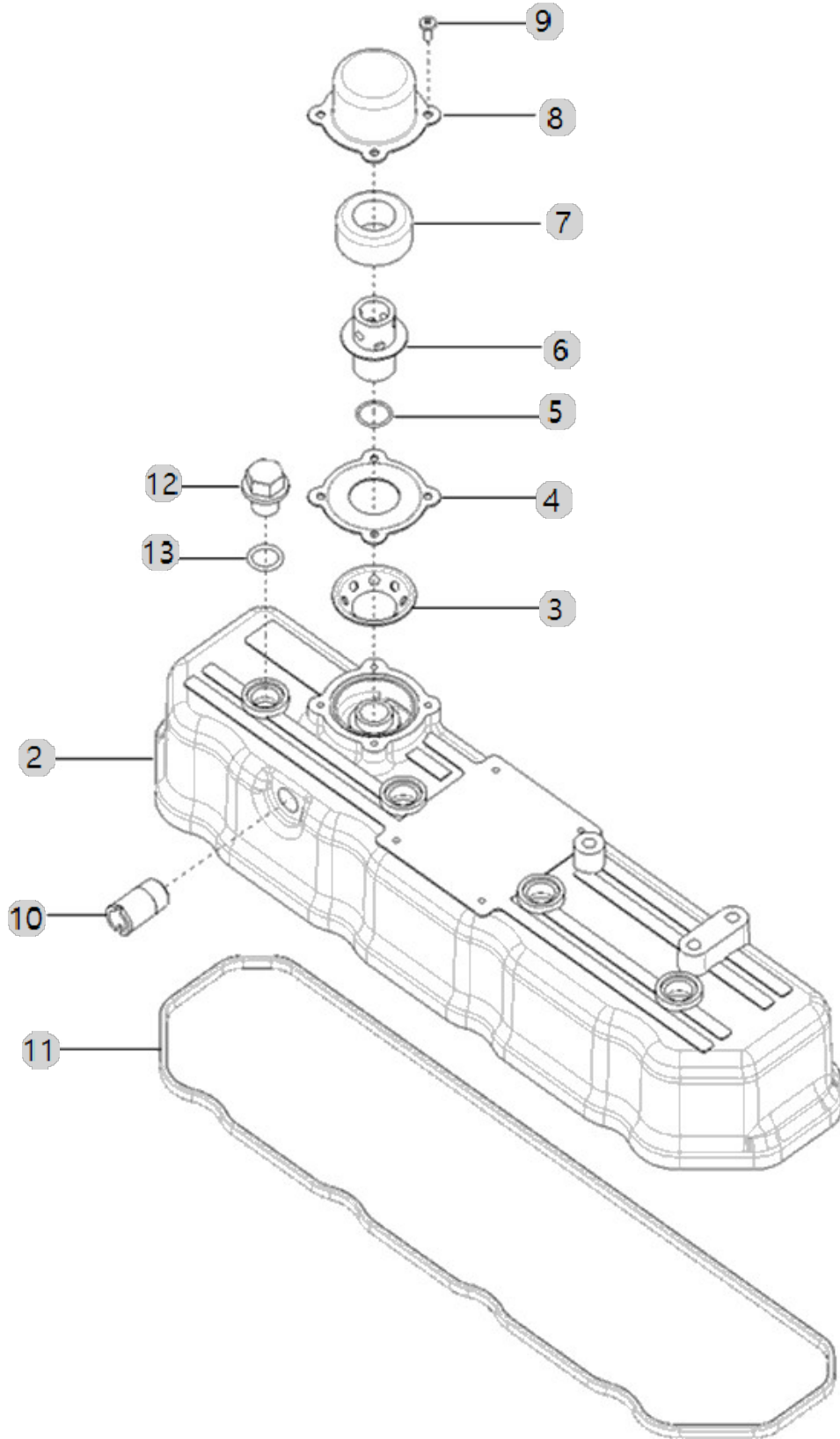
A21_004

A1100N4-ETR_5
(AB00400)

HEAD COVER

Year/Month

2023-01-17



A21_004 A1100N4-ETR_5 (AB00400)		HEAD COVER				Year/Month 2023-01-17
순번 (NO)	부품번호 (PART NO)	품명 (PART NAME)	품명 (PART NAME)	수량 (QTY)	규격 (SPEC)	비고 (REMARK)
1	EA00004727A	헤드커버조합부	HEAD COVER ASS'Y OPTION	1		
2	HRA0402300E0	헤드커버	COVER, VALVE	1	-	
2	HRA0402300F0	헤드커버	COVER, VALVE	1	-	
3	HRA0403900B4	브리더조절판	PLATE,BREATHER ADJUSTING	1	T1.2	
3	HRA0403900A4	592,ALL,브리더조절판	PLATE,BREATHERADJUSTING	1	T1.2	
4	HRA0403800A4	브리더 커버 가스켓	GASKET,BREATHER	1	T0.5	
5	24341-000160	O-링(S형)	O-RING, FIX (Φ16)	1	S10	
6	HRA0403700A4	590,ALL,가이드조합	Valve, Pressure Relief	1		
6	HRA0403700B4	가이드조합	VALVE,PRESSURE RELIEF	1		
7	HC03720000B4	배플	BAFFLE	1	17MMX155M	
8	HRA0403600B4	브리더커버	COVER,BREATHER	1	T1.2	
8	HRA0403600A4	589,ALL,브리더커버	COVER,BREATHER	1	T1.2	
9	26587-040102	245,ALL,스크로우(3X54X10)	SCREW,FILLISTERHEADCAP	4	M4X10	
10	HRA0404000A4	597,A14172023,연결관	TUBE,BREATHER	1	D17.3XT2.3	
11	HRA0402400B3	헤드커버패킹-A2300	GASKET,HEAD COVER	1		
12	HA03520000B4	440,ALL,상부커버캡	NUT,HEXAGONCAP	4		
13	24311-000140	운동용O링	SEAL,ORING	4	P14	

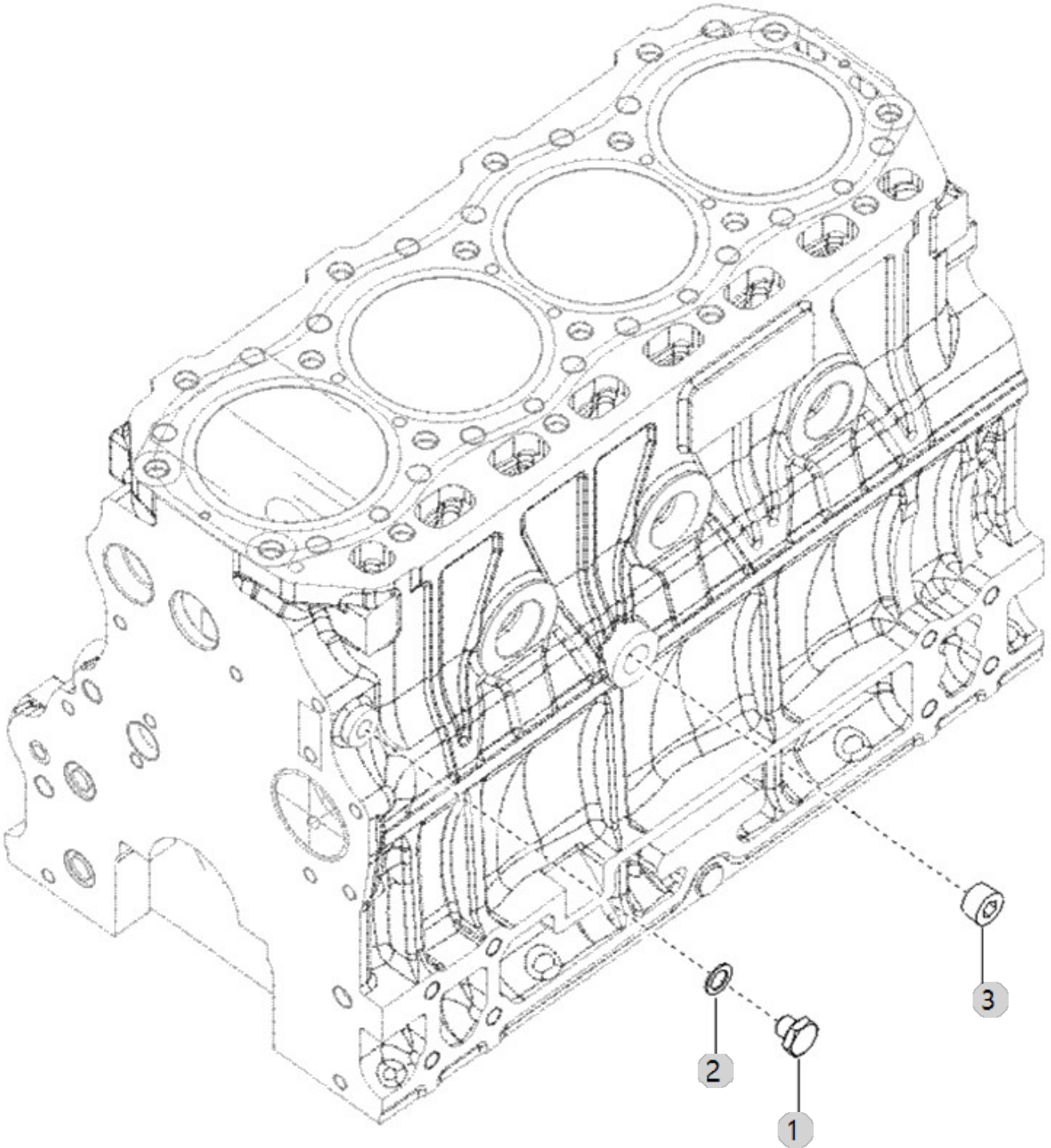
A23_009

A1100N4-ETR_5
(AB00400)

TURBOCHARGER SUPPORT ASS'Y OPTION

Year/Month

2023-01-17



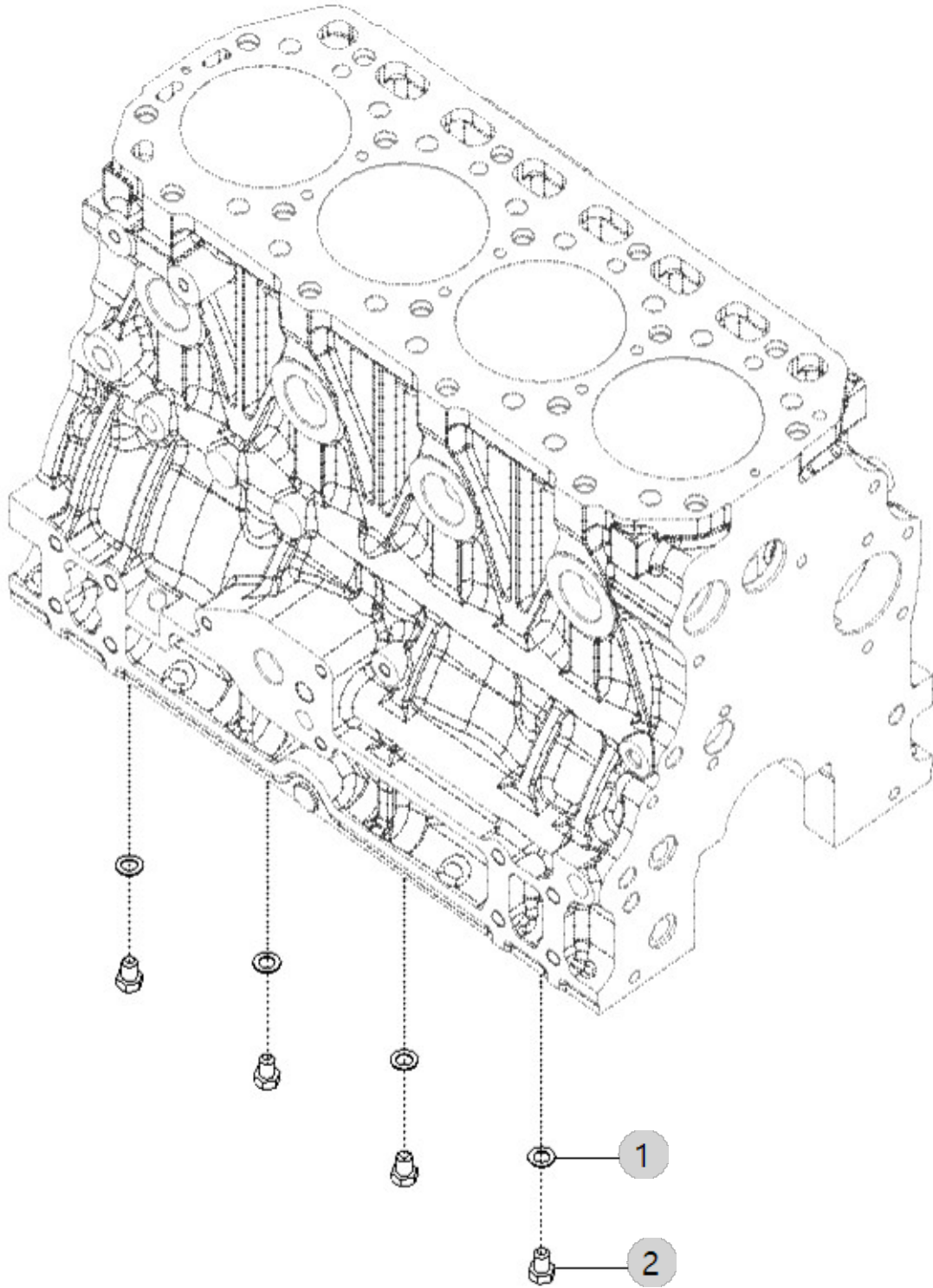
A25_002

A1100N4-ETR_5
(AB00400)

OIL JET ASS'Y OPTION

Year/Month

2023-01-17



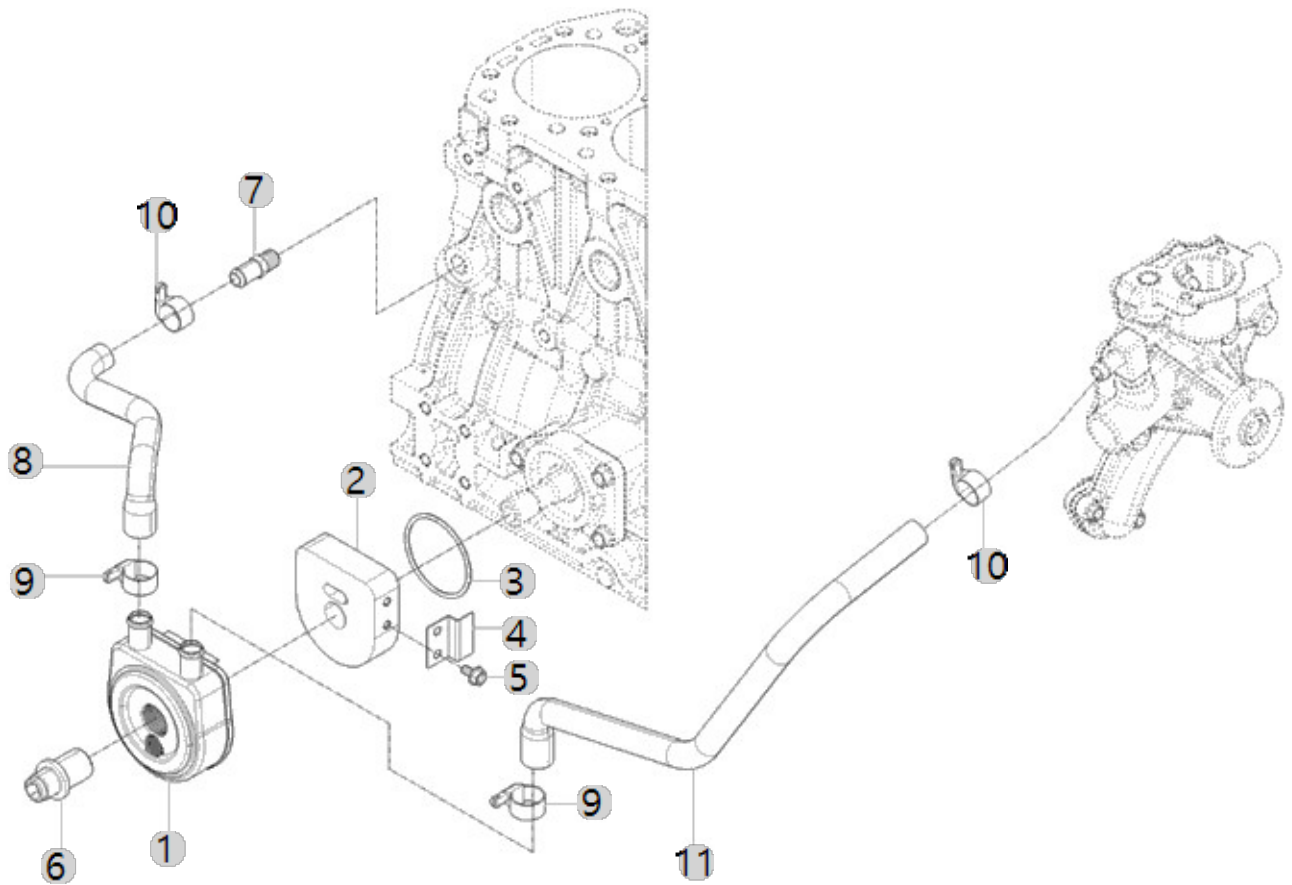
A26_005

A1100N4-ETR_5
(AB00400)

COOLER, ENGINE OIL

Year/Month

2023-01-17



A26_005 A1100N4-ETR_5 (AB00400)		COOLER, ENGINE OIL				Year/Month 2023-01-17
순번 (NO)	부품번호 (PART NO)	품명 (PART NAME)	품명 (PART NAME)	수량 (QTY)	규격 (SPEC)	비고 (REMARK)
1	EA00000309A	오일쿨러	OIL COOLER ASSY	1		
2	EA00002818A	스페이서(오일쿨러)	SPACER(PRESSURE C.V)	1		
3	24321-000600	O-링1AG-60(국산)	SEAL,ORING	1	G60	
4	EA00002900A	보강브래킷(오일쿨러스페이서)	REINFORCEMENT BRACKET(COOLER SPACER)	1		
4	EA00002900B	보강브래킷(오일쿨러스페이서)	REINFORCEMENT BRACKET(COOLER SPACER)	1		
5	26106-060122	육각플랜지볼트	HEX BOLT (6-12)	2	M6XP1.0X12	
6	EA00000310A	볼트(오일쿨러)	BOLT, OIL COOLER	1		
7	HRC1204000C4	조인트 PT 1/4	JOINT, PT 1/4	1	D13.8XT2.3	
7	HRC1204000B4	조인트 PT 1/4	NIPPLE, PLAIN PIPE	1	D13.8XT2.3	
7	HRC1204000A4	369,A22,조인트PT1/4	NIPPLE,PLAINPIPE	1	PT 1/4	
8	EA00004503A	오일쿨러냉각호스A	LUB COOLER HOSE(A)	1		
9	EA00006186A	KALE클램프	KALE CLAMP	2		
10	EA00006186A	KALE클램프	KALE CLAMP	2		
11	EA00002855A	오일쿨러냉각호스B	COOLANT HOSE B, OIL COOLER	1		

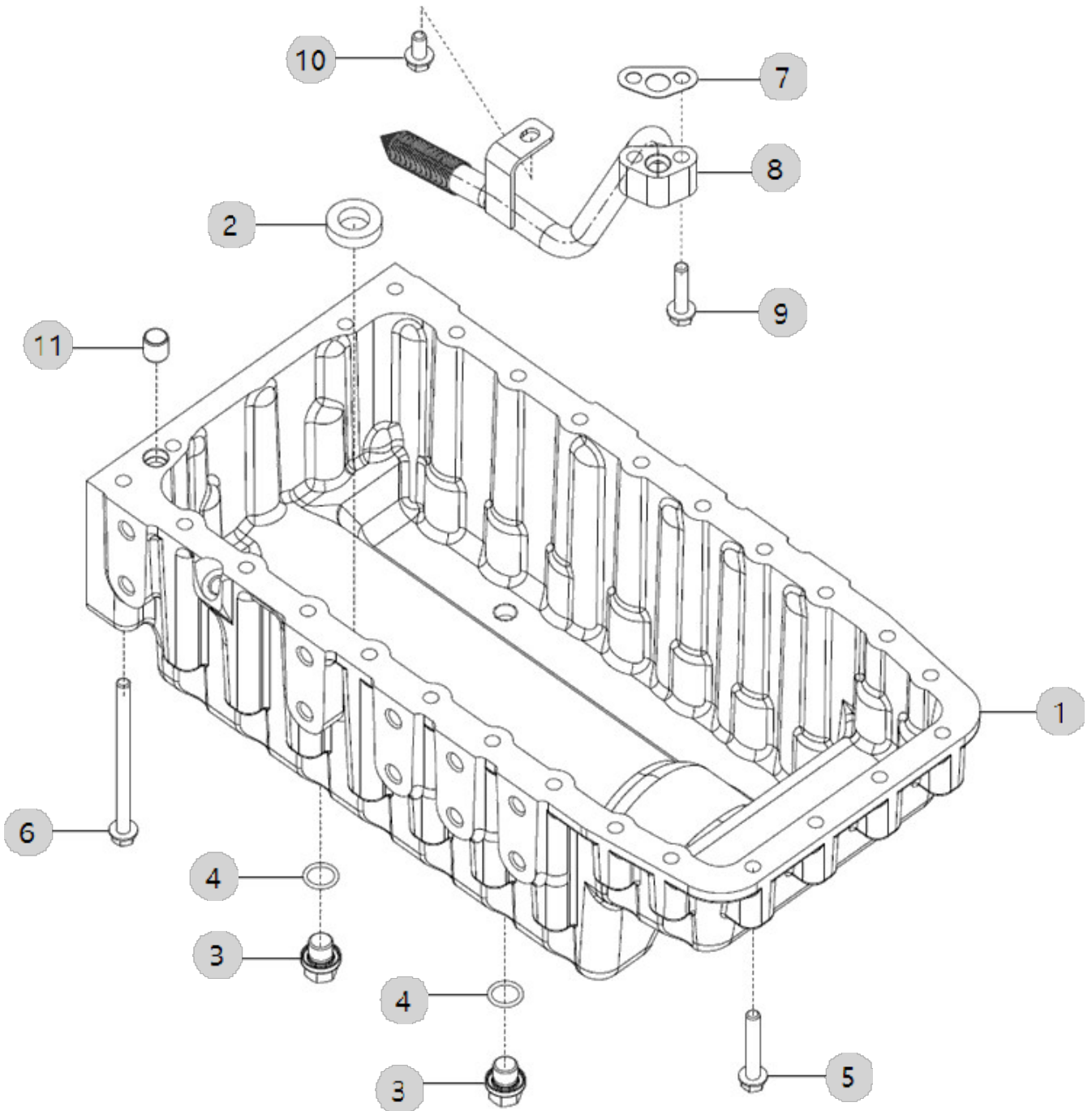
A27_005

A1100N4-ETR_5
(AB00400)

OIL PAN ASS'Y OPTION

Year/Month

2023-01-17



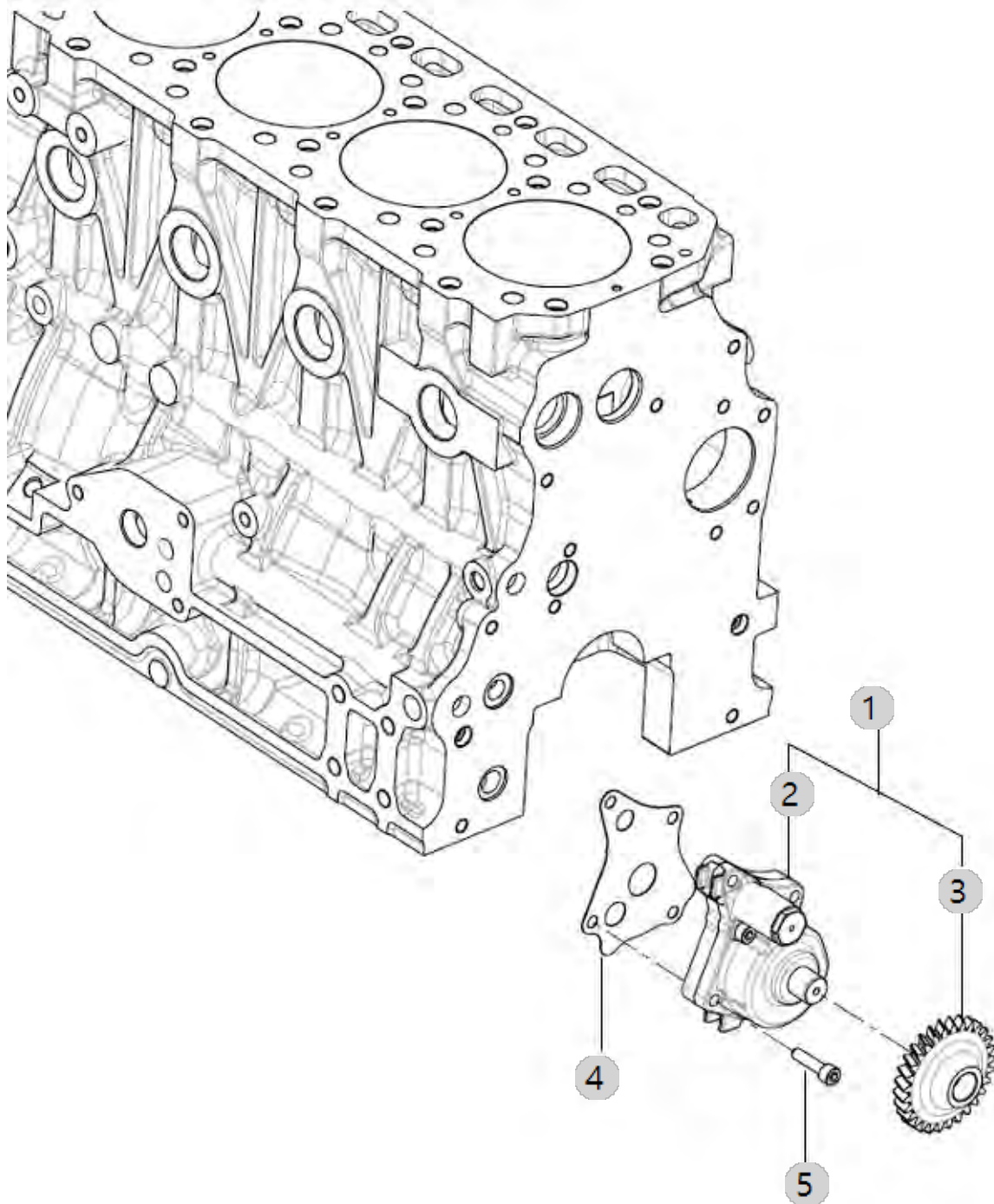
A28_001

A1100N4-ETR_5
(AB00400)

PUMP, LUBRICATING OIL

Year/Month

2023-01-17



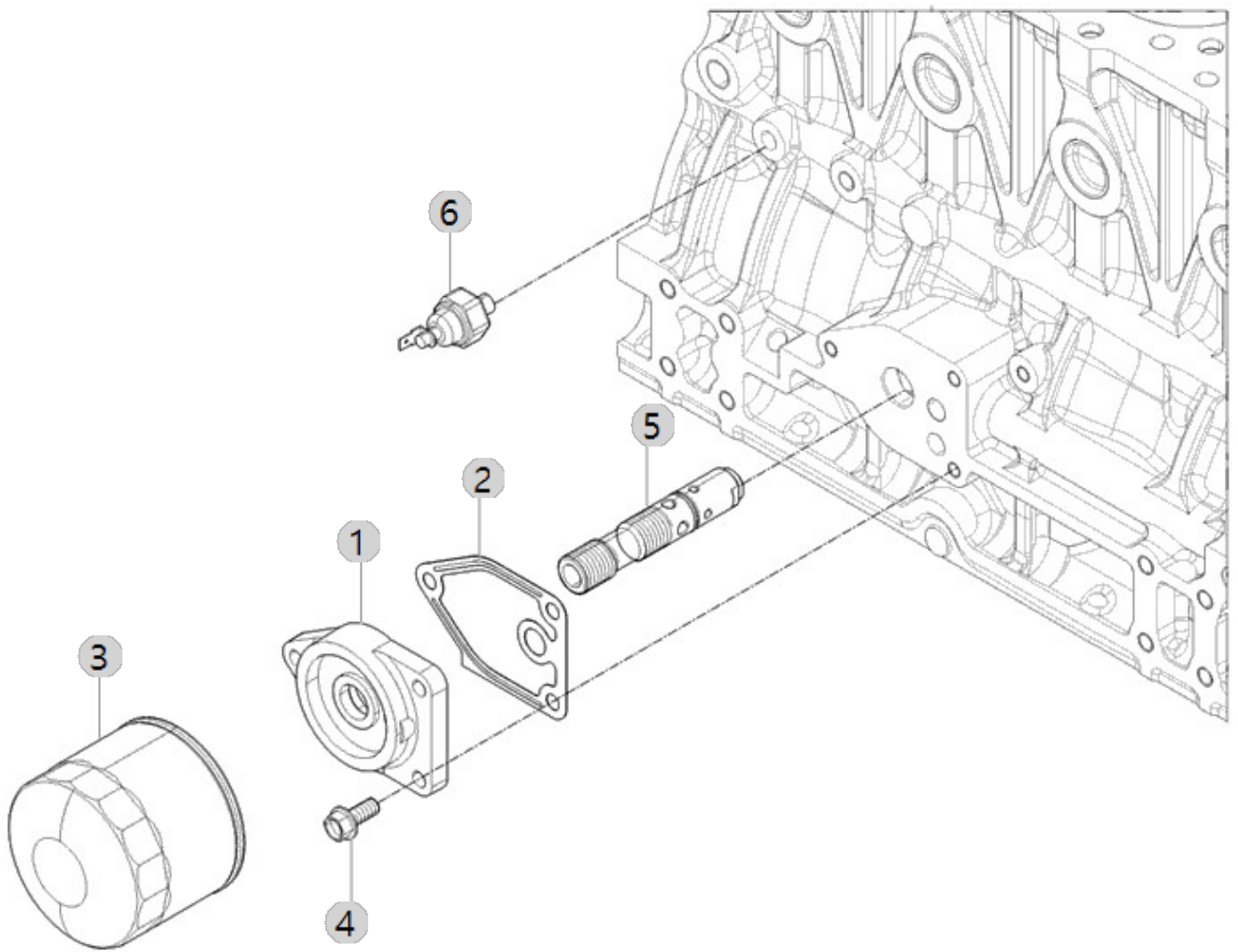
A29_005

A1100N4-ETR_5
(AB00400)

FILTER, LUBRICATING OIL

Year/Month

2023-01-17



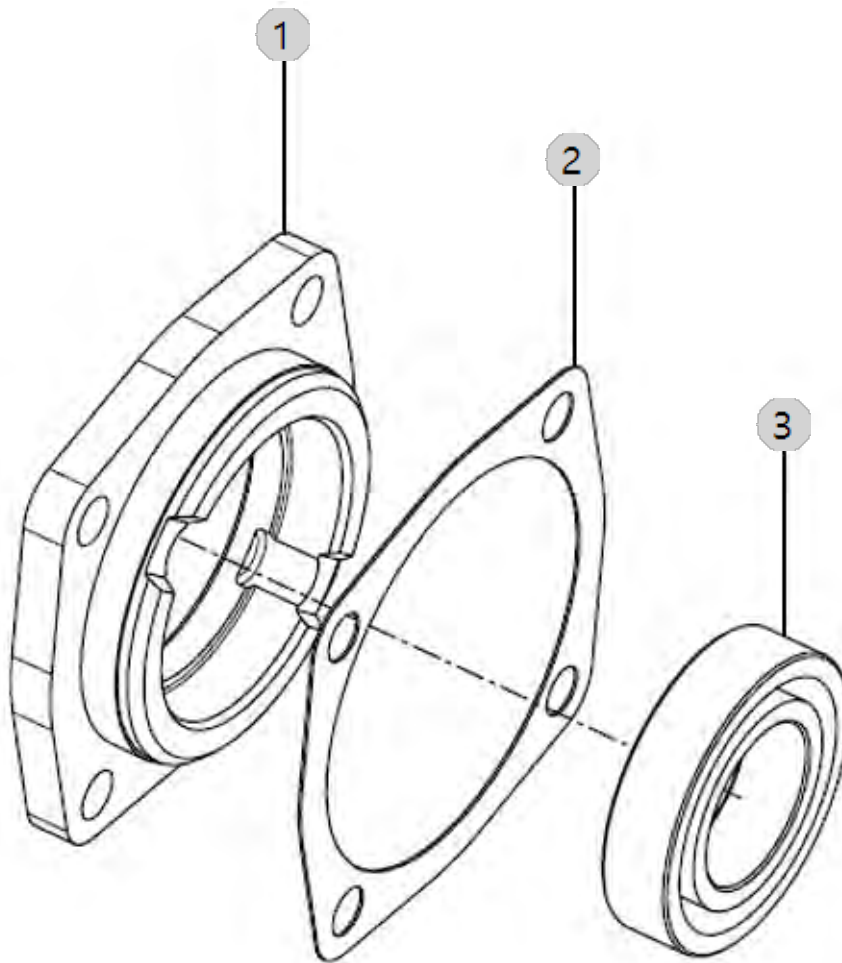
A30_003

A1100N4-ETR_5
(AB00400)

FRONT GEAR ACCESSORY DRIVE

Year/Month

2023-01-17



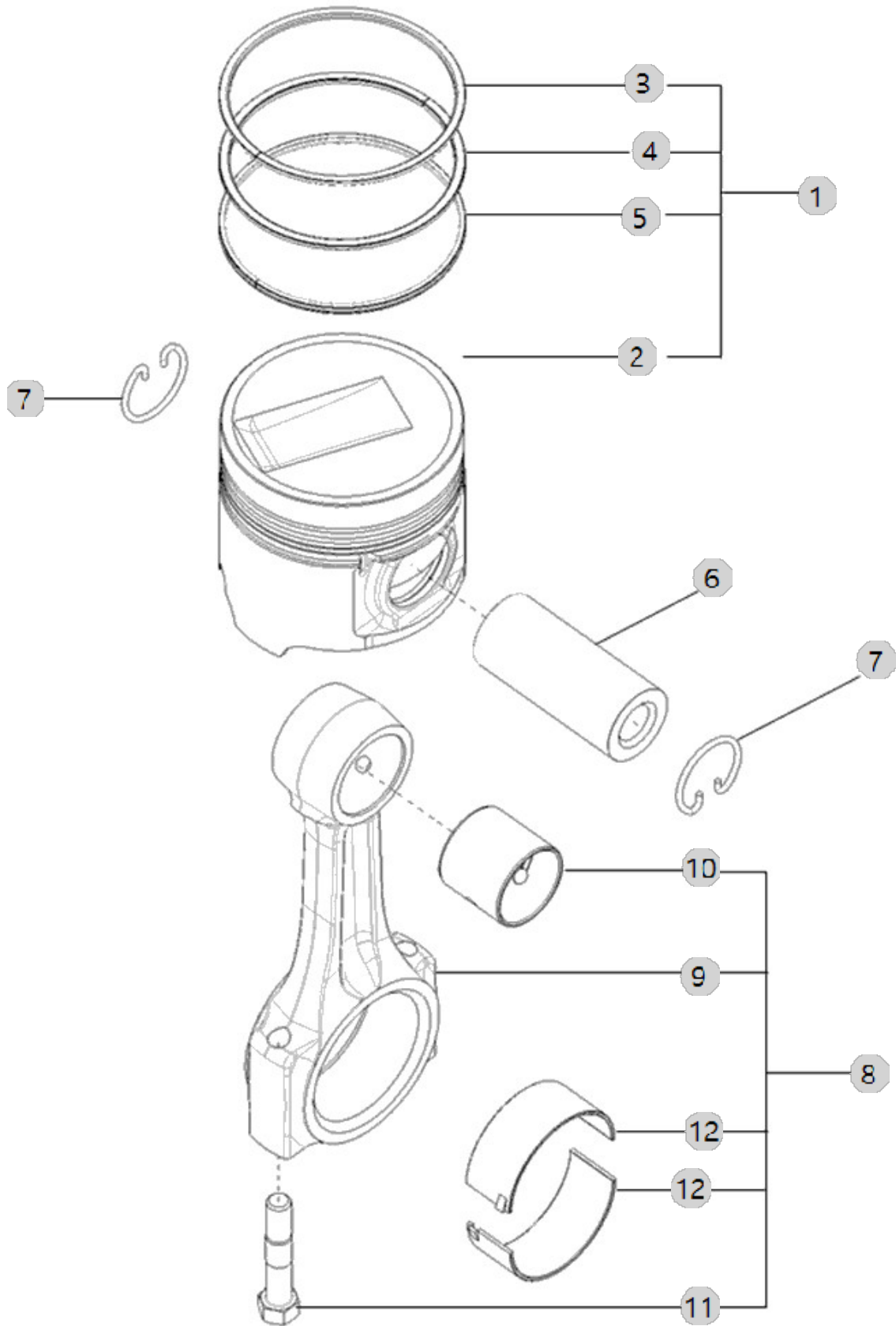
A31_007

A1100N4-ETR_5
(AB00400)

PISTON

Year/Month

2023-01-17



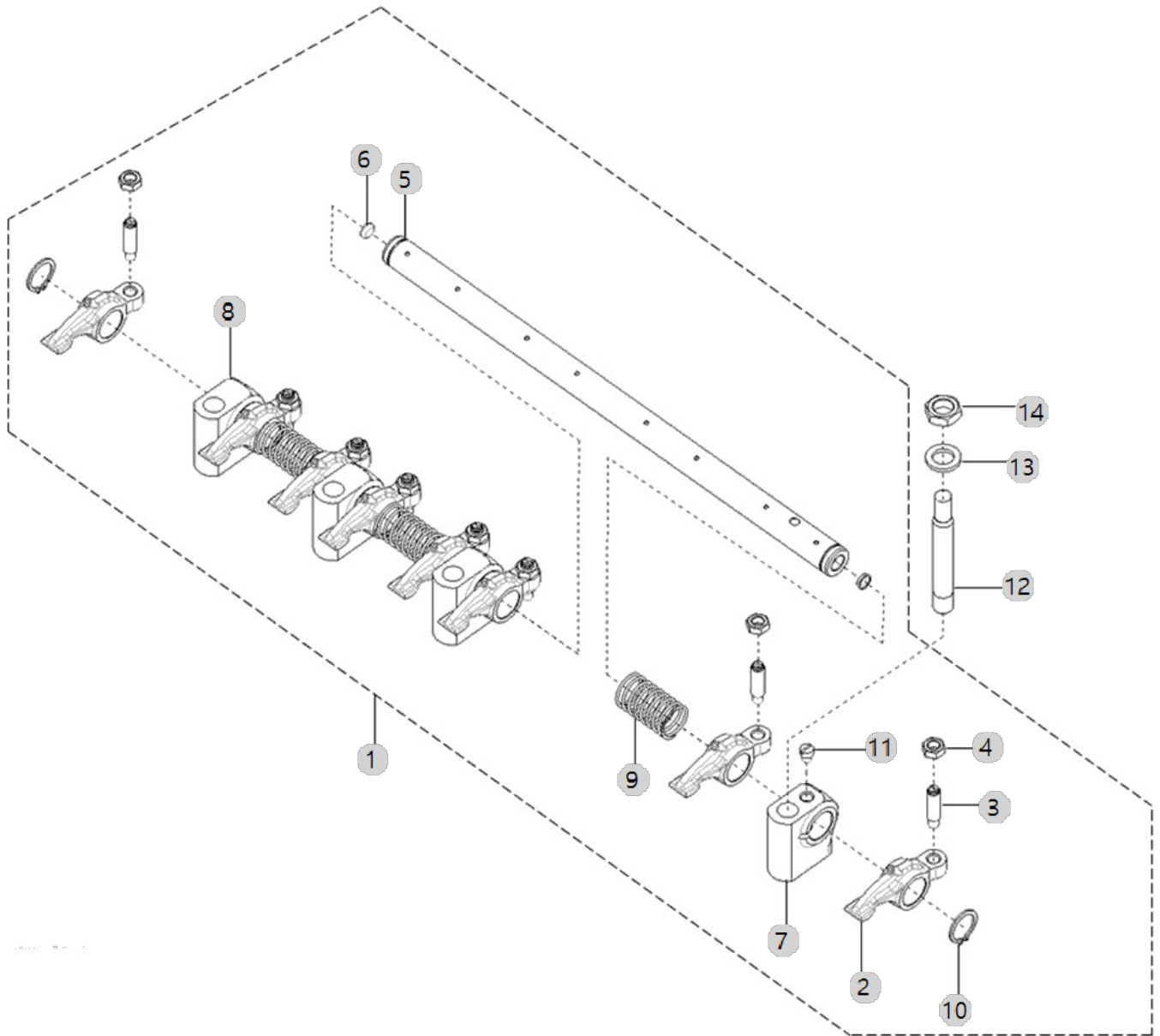
A32_003

A1100N4-ETR_5
(AB00400)

LEVER, LOCKER

Year/Month

2023-01-17



A32_003 A1100N4-ETR_5 (AB00400)	LEVER, LOCKER				Year/Month	
					2023-01-17	

순번 (NO)	부품번호 (PART NO)	품명 (PART NAME)	품명 (PART NAME)	수량 (QTY)	규격 (SPEC)	비고 (REMARK)
1	HRA0401100D2	로커암축조합	LEVER,ROCKER	1		
1	HRA0401100C2	로커암축조합	LEVER,ROCKER	1		
1	HRA0401100B2	로커암축조합	LEVER,ROCKER	1		
2	HRA0401600C4	로커암	LEVER,ROCKER	8		
2	HRA0401600A4	416,ALL,로커암	LEVER,ROCKER	8		
2	HRA0401600B4	로커암	LEVER,ROCKER	8		
3	AF02110000E4	밸브조정나사	SCREW,RKRLEVERADJUSTING	8		
4	HH05280000A4	418,ALL,너트	NUT,VALVEADJUSTING	8		
5	HRA0401501B9	로커암축		1		
5	HRA0401501A9	로커암축		1		
6	27241-100000	캡형플러그 10	PLUG 10	2		
7	HRA0401200A4	412,ALL,써포트(A)	SUPPORT,ROCKERLEVER	1		
8	HRA0401300A4	써포트(B)	SUPPORT,ROCKERLEVER	3		
9	HRA0401400A4	414,ALL,스프링(로커암)	SPRING,COMPRESSION	3		
10	22242-000190	축용스냅링19	SNAP RING, SHAFT (Φ 19)	2	D19	
11	26921-080102	419,ALL,STOPSCREW	SCREW,SLOTTEDSET	1		
12	HRA0401800A4	421,ALL,심음볼트	STUD	4		
13	22117-120000	422,ALL,와셔12	WASHER, PLAIN (Φ 12)	4	M12	
14	HA03180000B4	423,ALL,너트	NUT,REGULARHEXAGON	4		

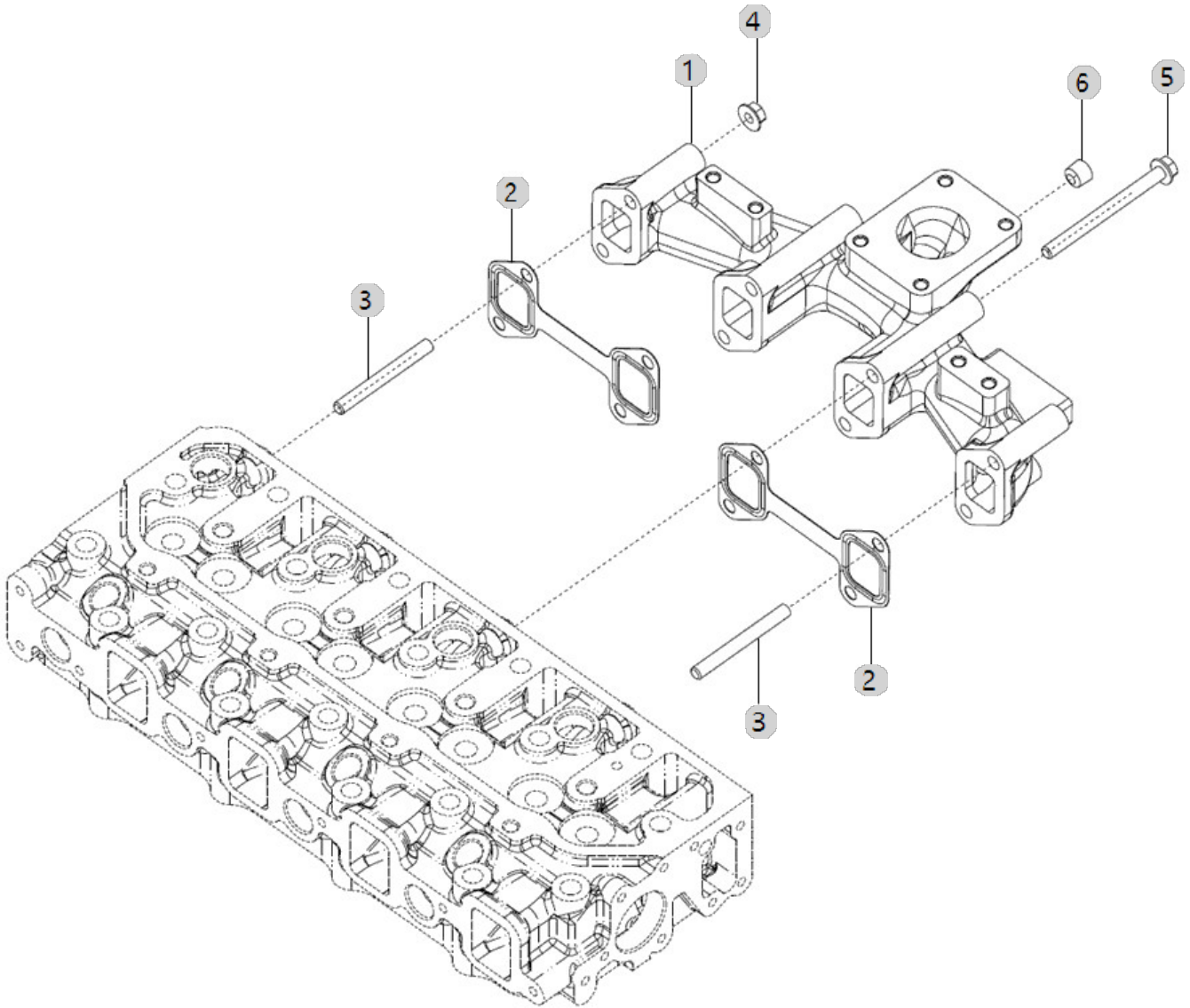
A33_013

A1100N4-ETR_5
(AB00400)

EXHAUST MANIFOLD

Year/Month

2023-01-17



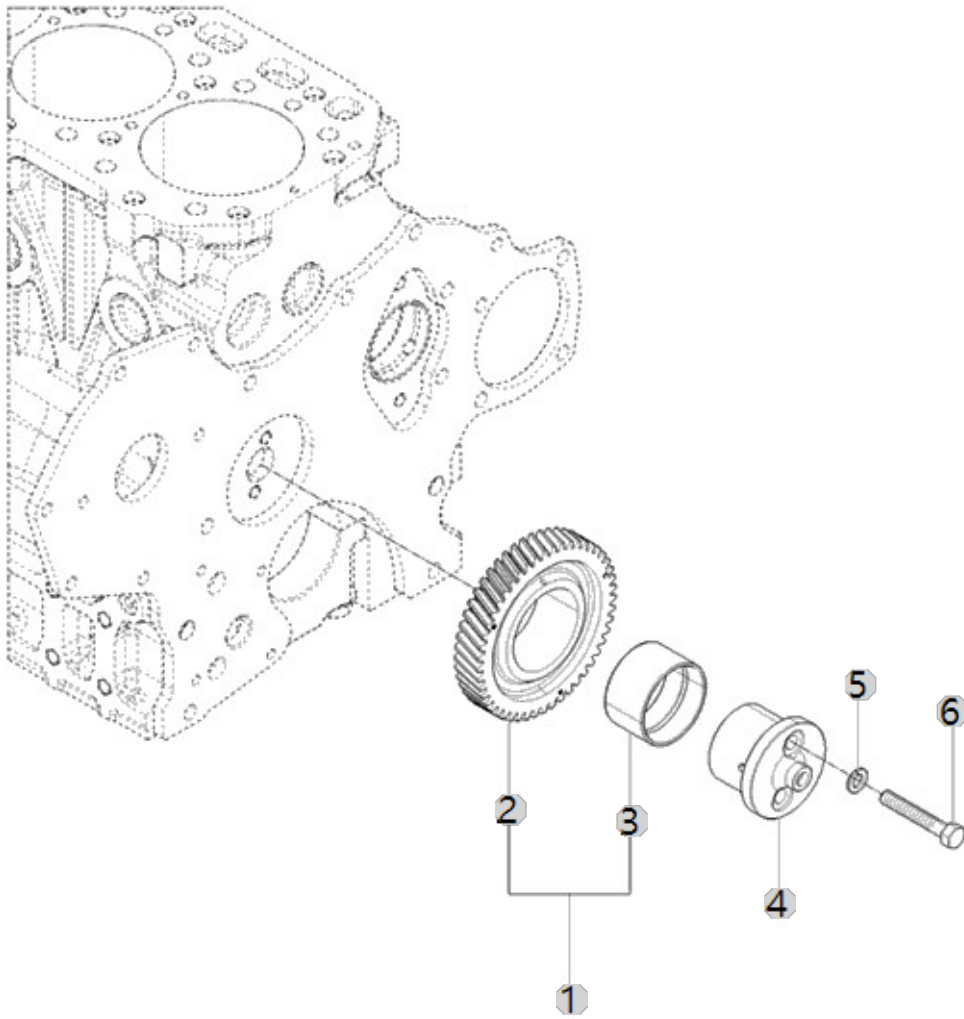
A35_002

A1100N4-ETR_5
(AB00400)

IDLE GEAR

Year/Month

2023-01-17



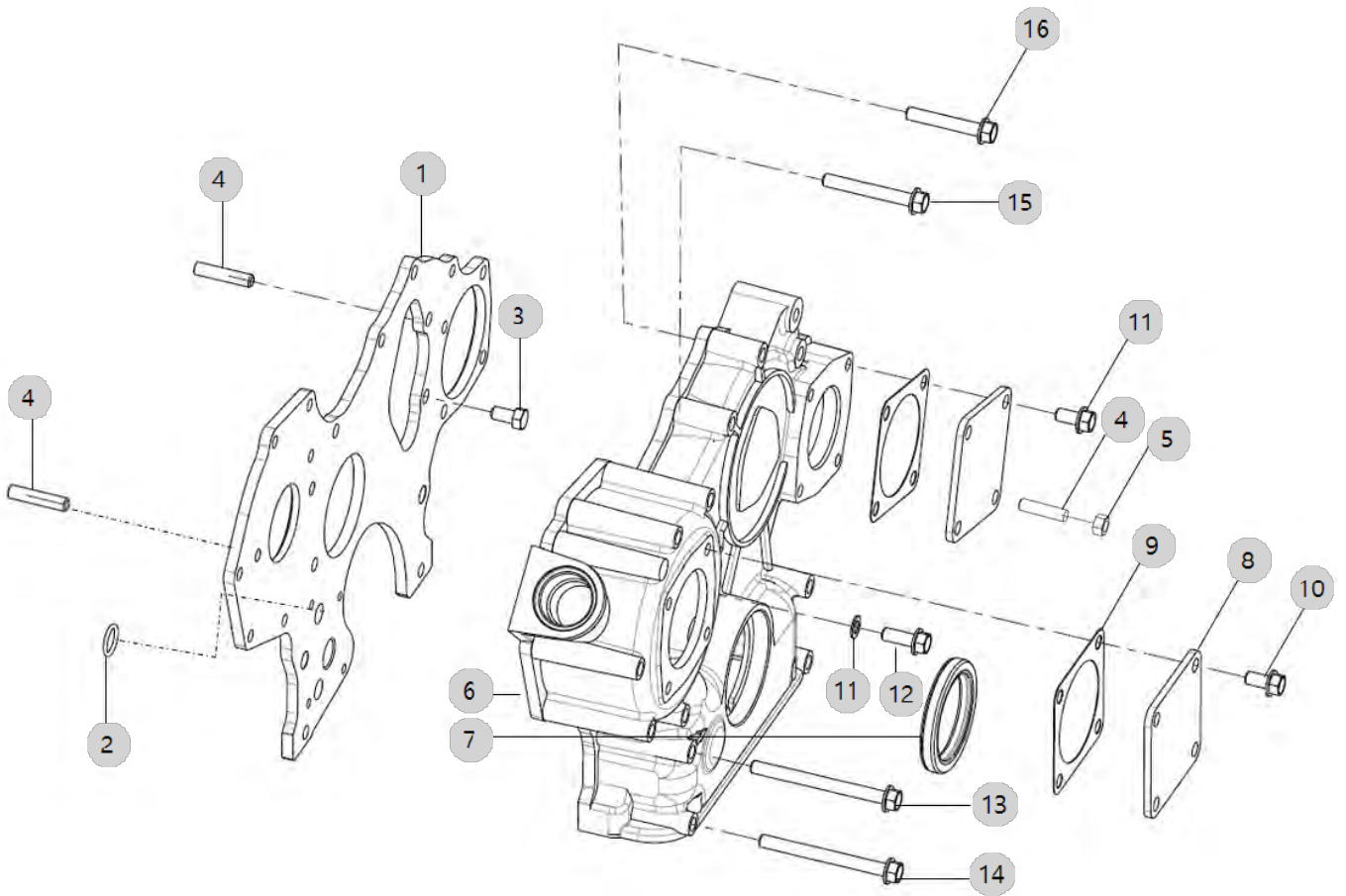
A36_004

A1100N4-ETR_5
(AB00400)

COVER, FRONT GEAR

Year/Month

2023-01-17



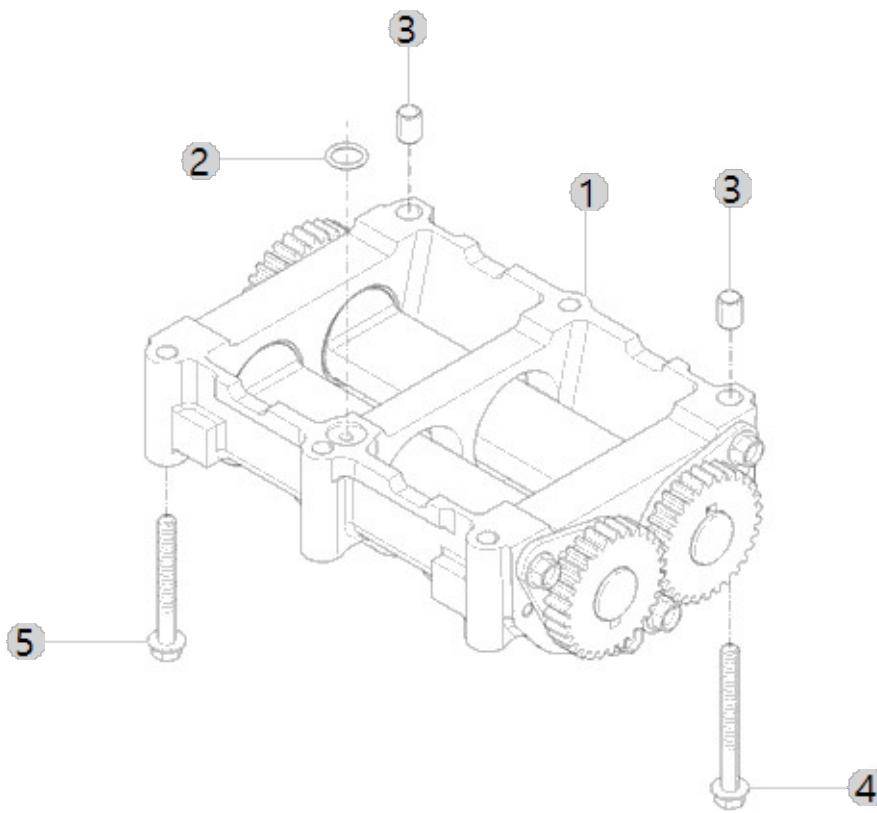
A37_001

A1100N4-ETR_5
(AB00400)

BALANCE ASS'Y

Year/Month

2023-01-17



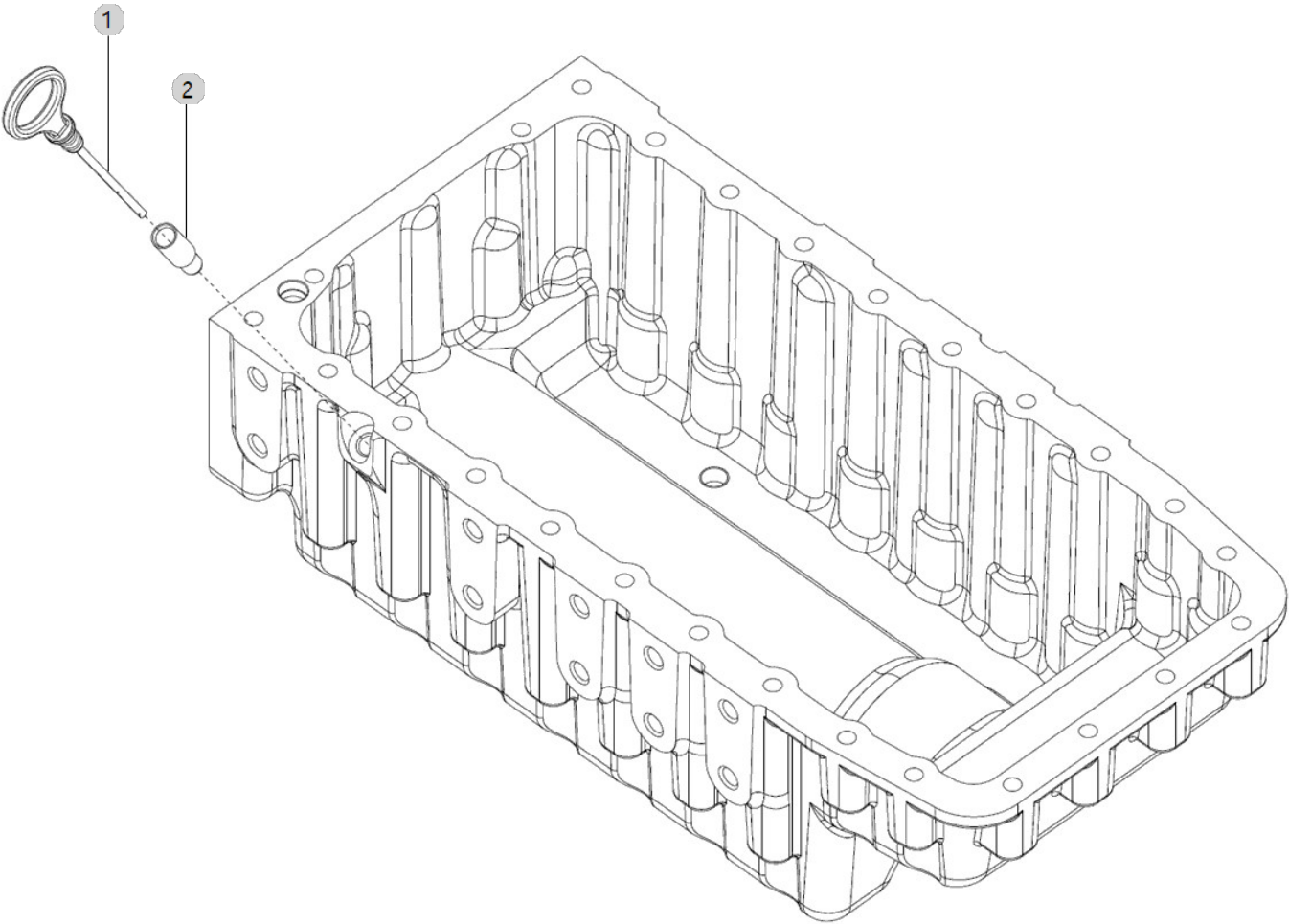
A38_009

A1100N4-ETR_5
(AB00400)

GAUGE, OIL LEVEL

Year/Month

2023-01-17



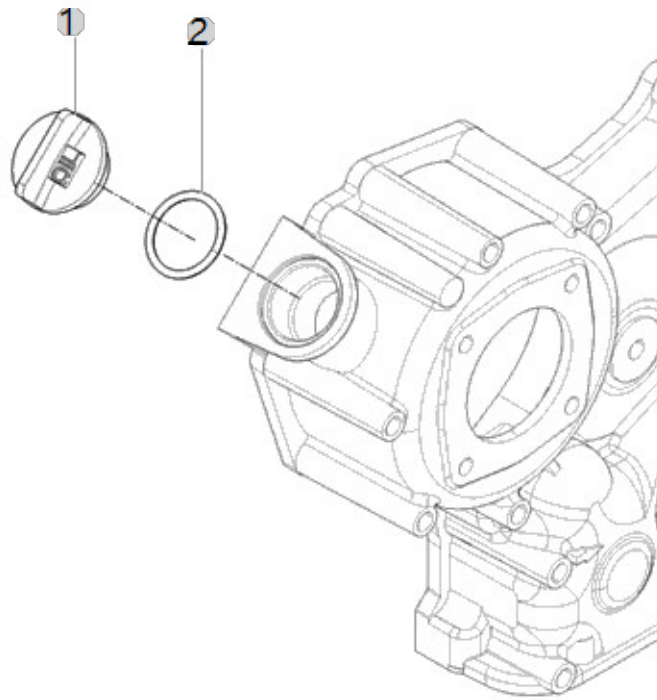
A39_001

A1100N4-ETR_5
(AB00400)

OIL FILLER CAP

Year/Month

2023-01-17



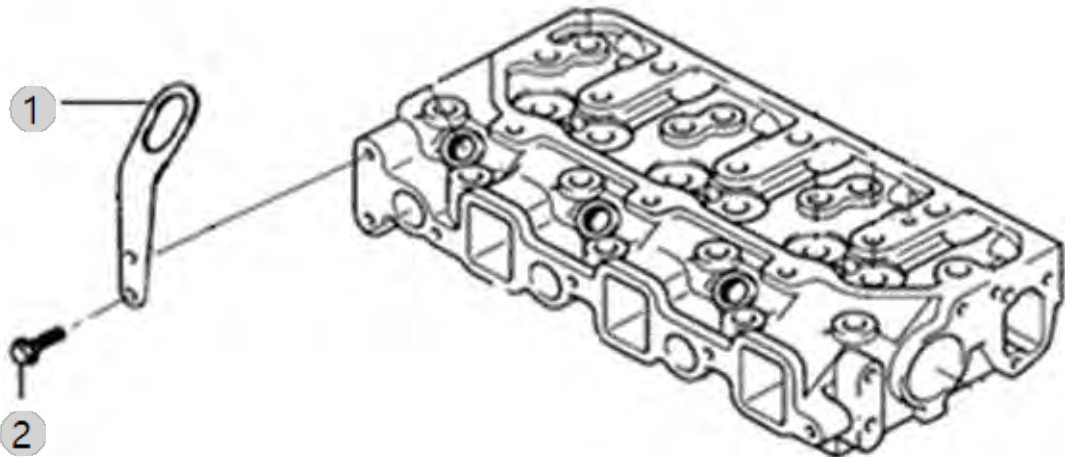
A40_003

A1100N4-ETR_5
(AB00400)

LIFT ASS'Y OPTION

Year/Month

2023-01-17



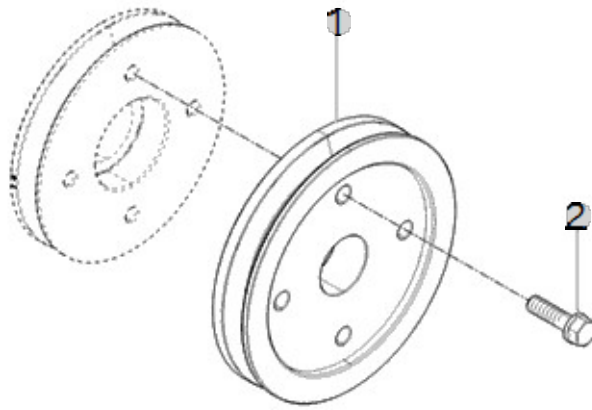
A41_001

A1100N4-ETR_5
(AB00400)

COMP,DRIVE PULLEY ASS'Y OPTION

Year/Month

2023-01-17



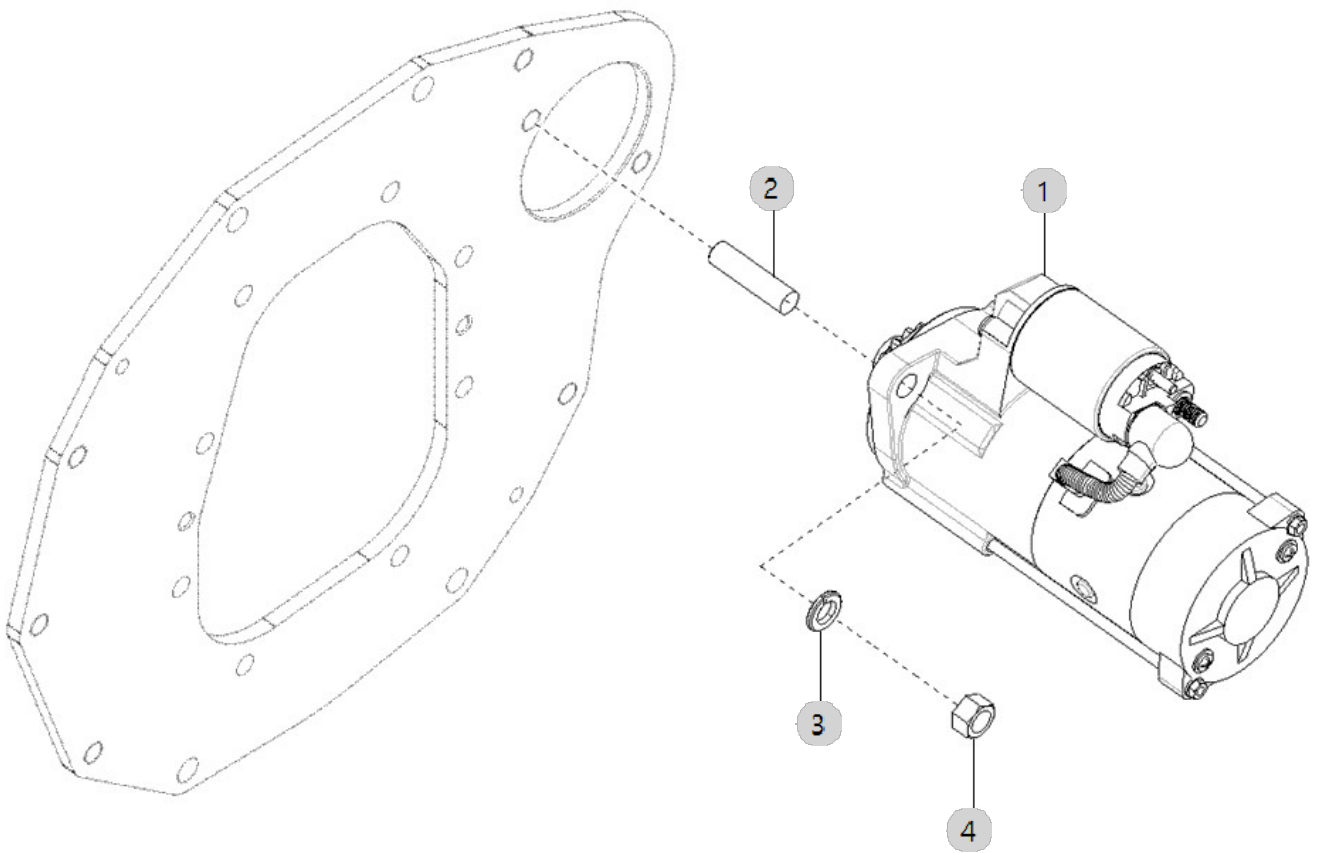
A42_003

A1100N4-ETR_5
(AB00400)

MOTER, STARTIONS

Year/Month

2023-01-17



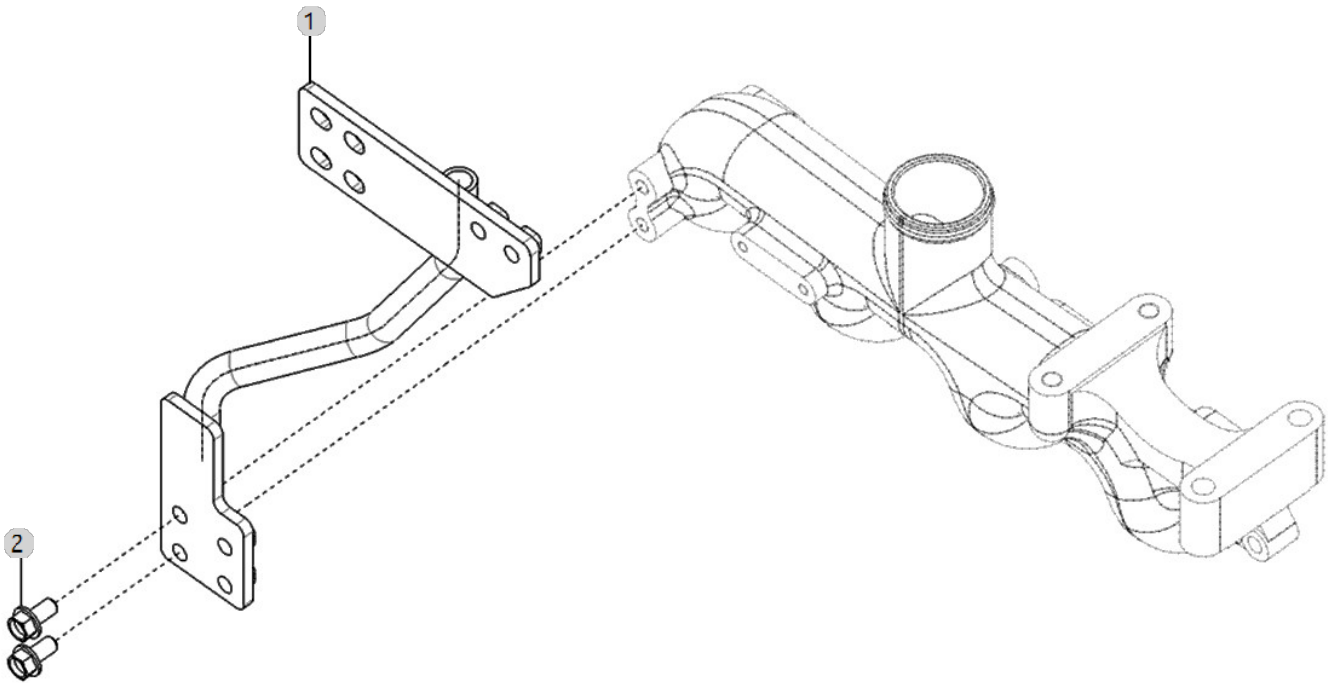
A43_001

A1100N4-ETR_5
(AB00400)

DPF SUPPORT OPTION

Year/Month

2023-01-17



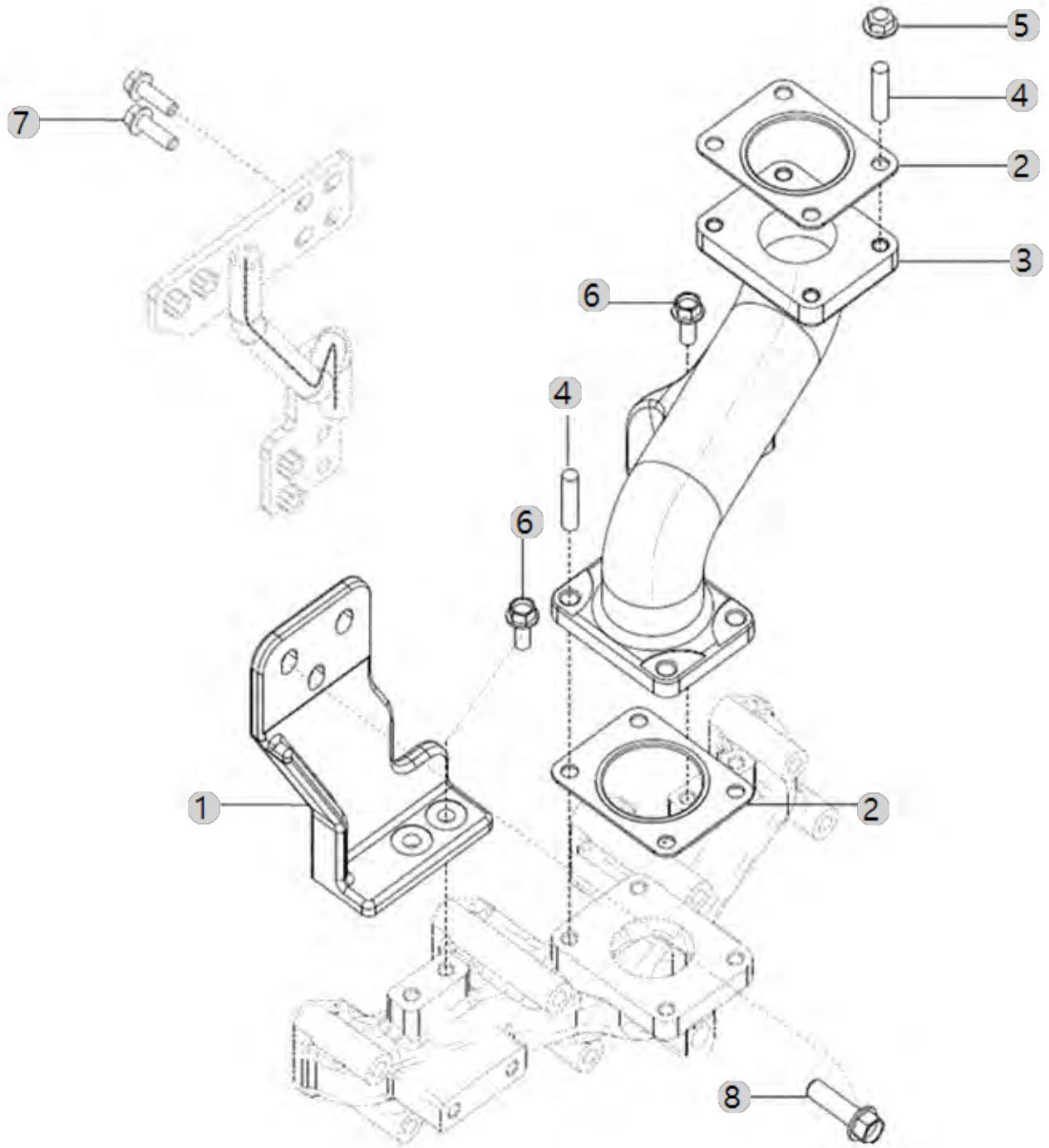
A44_006

A1100N4-ETR_5
(AB00400)

DPF MOUNTING OPTION

Year/Month

2023-01-17



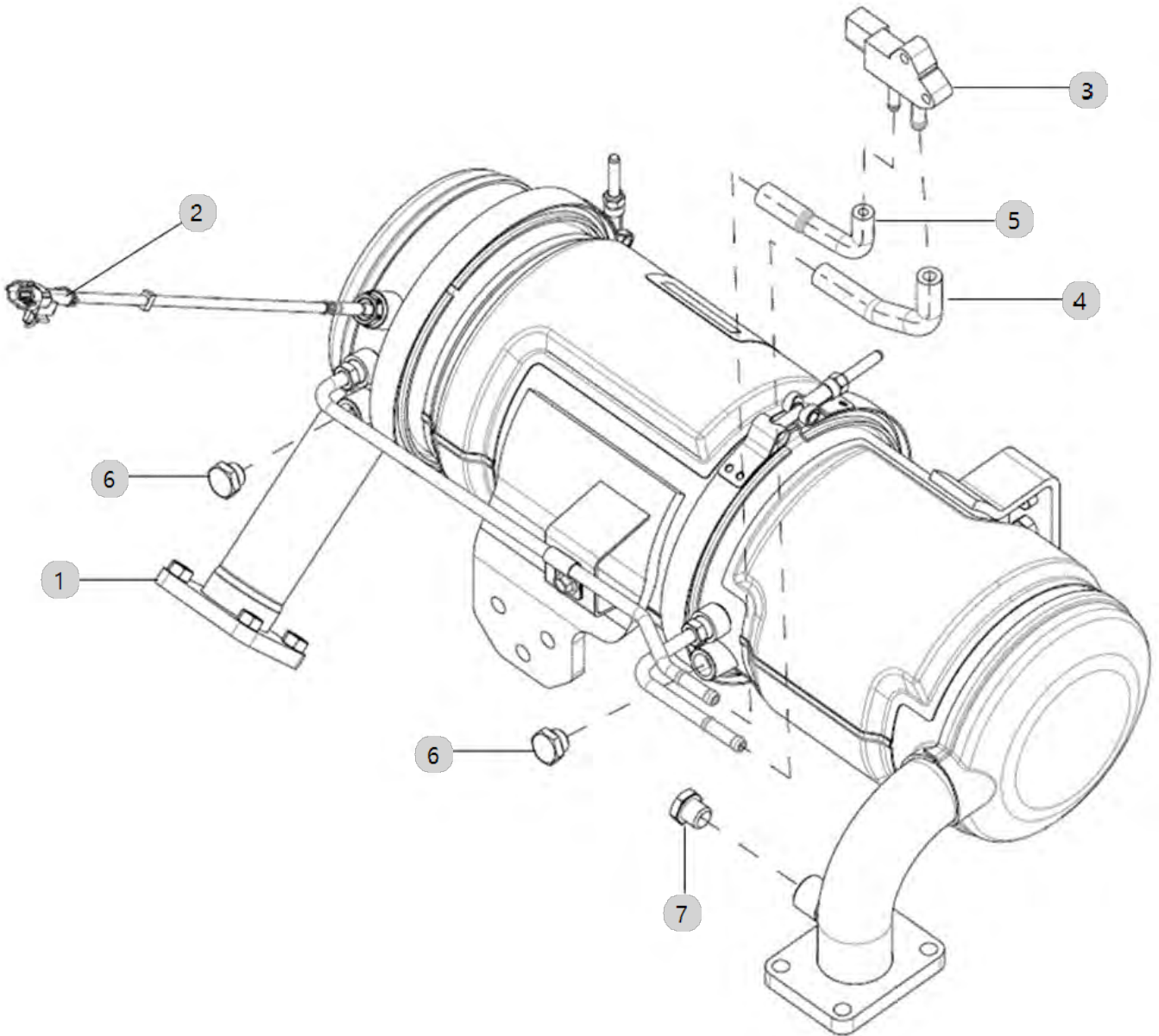
A45_004

A1100N4-ETR_5
(AB00400)

DPF

Year/Month

2023-01-17



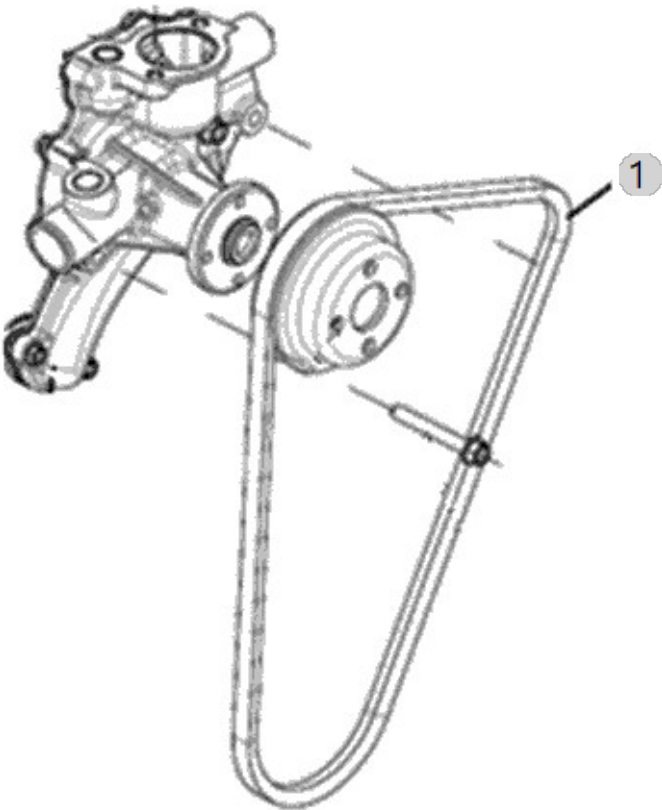
A48_006

A1100N4-ETR_5
(AB00400)

V-BELT

Year/Month

2023-01-17



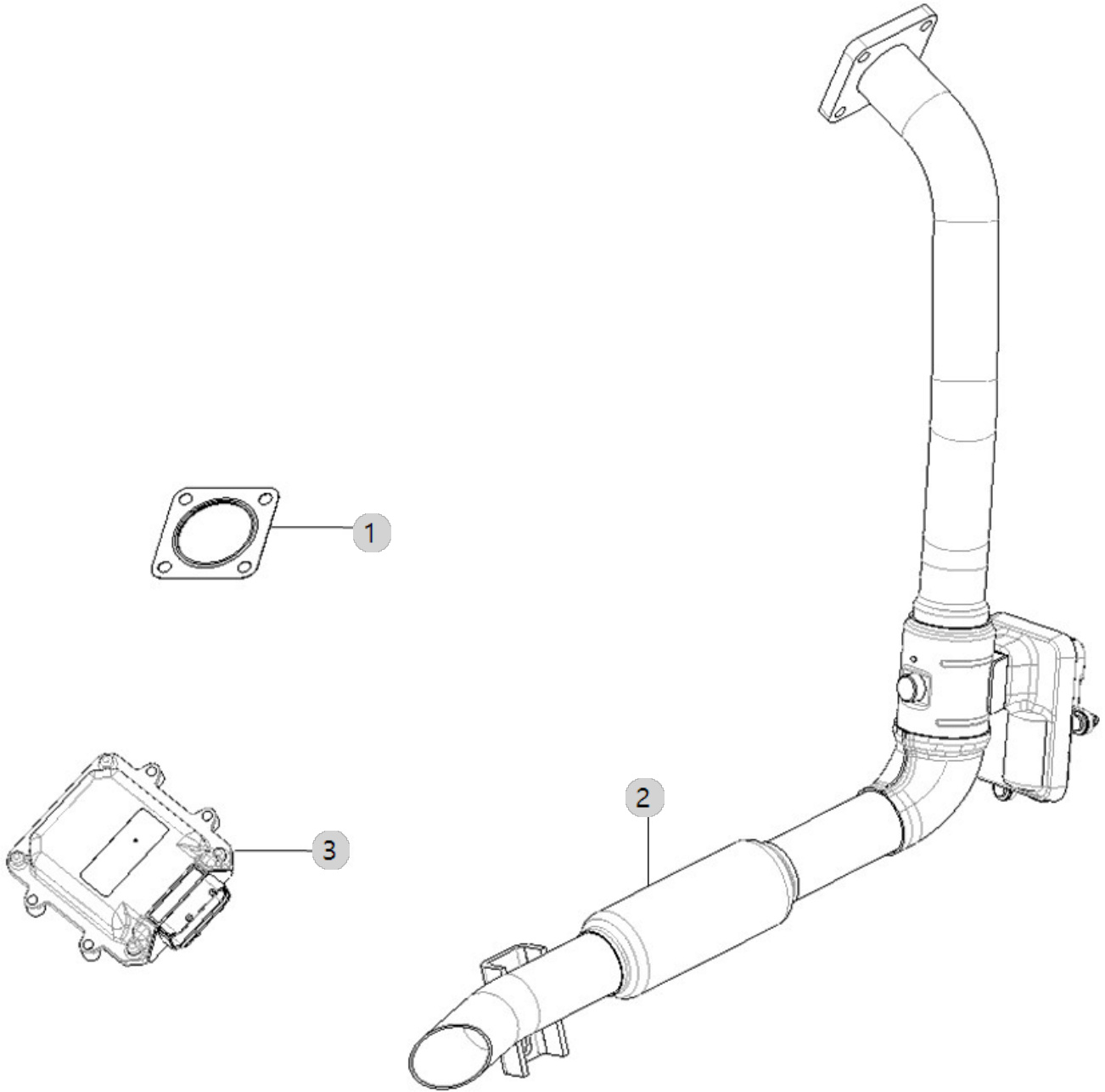
A56_001

A1100N4-ETR_5
(AB00400)

LOOSED PARTS

Year/Month

2023-01-17



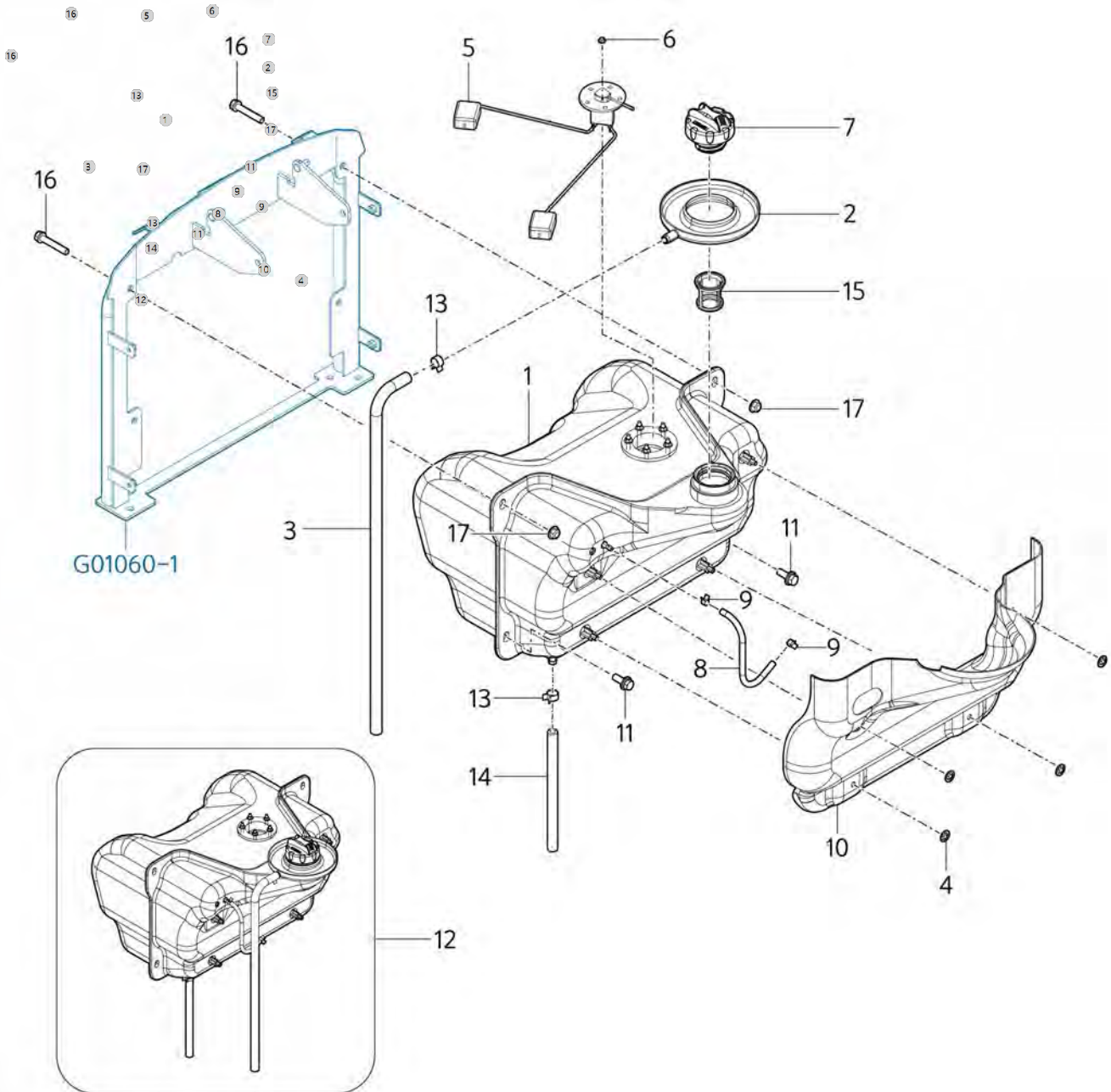
B01010

2500H_EU_FL
(AC02160)

FUEL TANK

Year/Month

2023-01-17



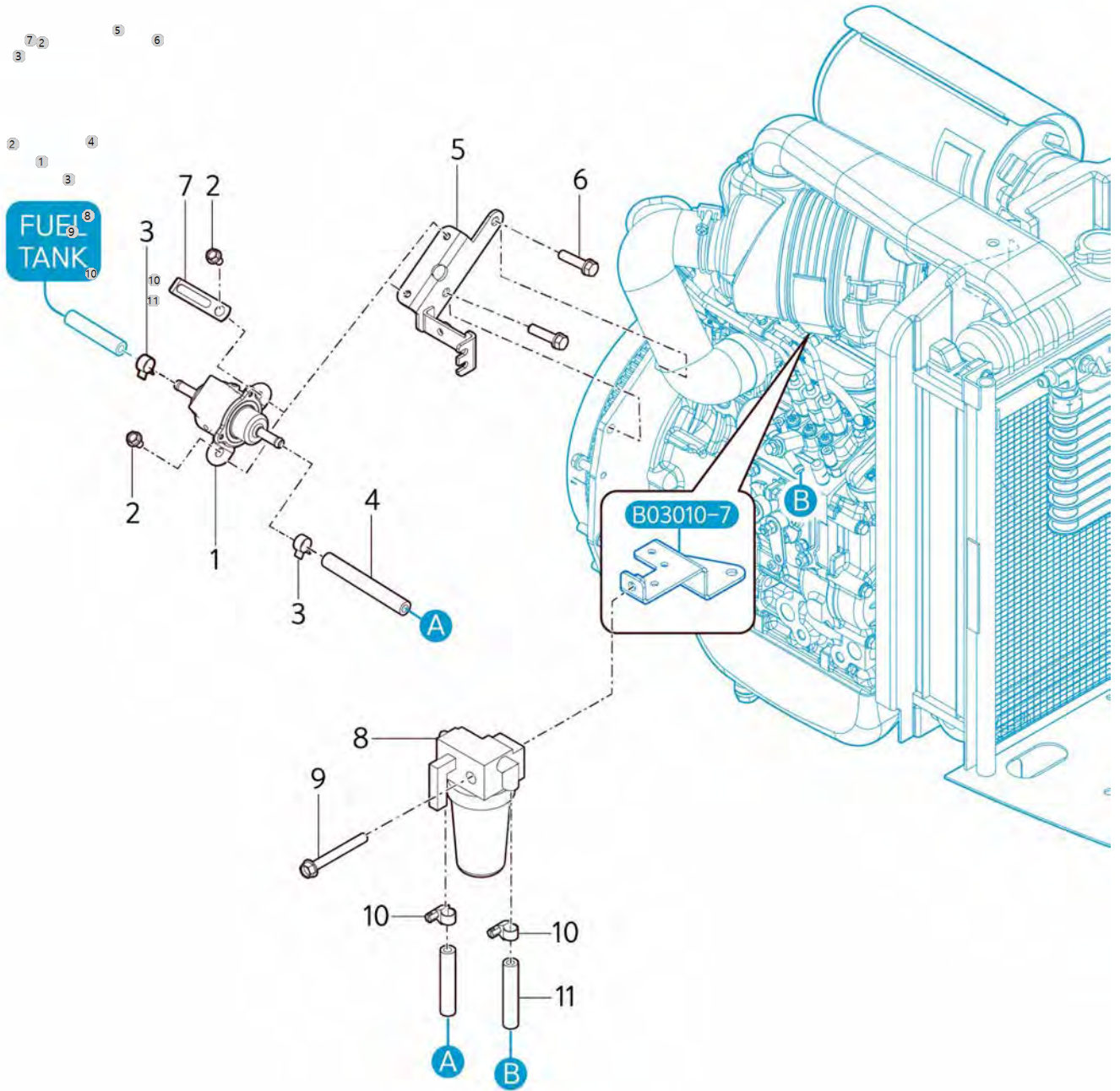
B01032

2500H_EU_FL
(AC02160)

FUEL LINE

Year/Month

2023-01-17



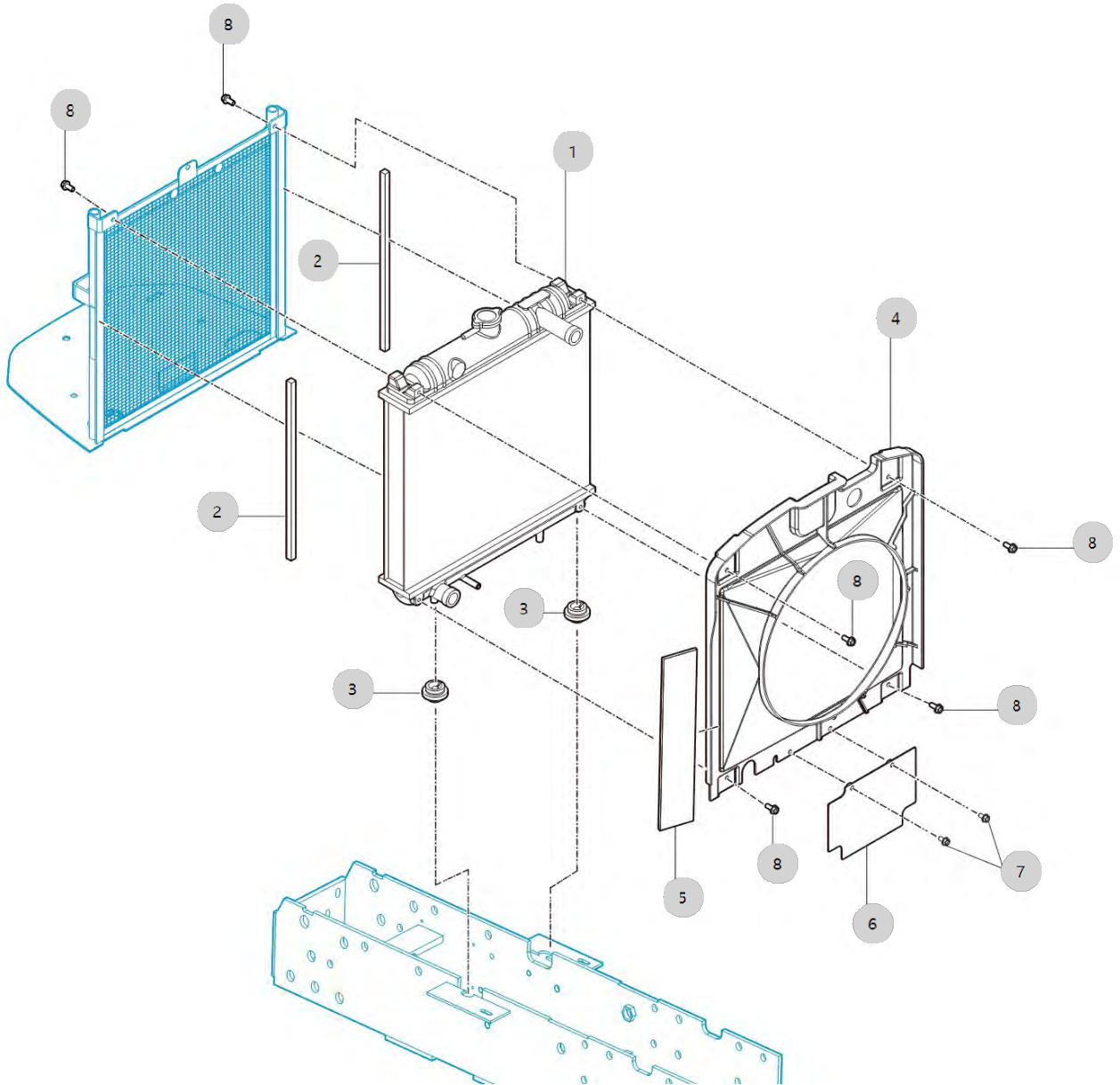
B02020

2500H_EU_FL
(AC02160)

RADIATOR

Year/Month

2023-01-17



B02020 2500H_EU_FL (AC02160)	RADIATOR	Year/Month
		2023-01-17

순번 (NO)	부품번호 (PART NO)	품명 (PART NAME)	품명 (PART NAME)	수량 (QTY)	규격 (SPEC)	비고 (REMARK)
1	EA00004429A	라디에이터 조합	RADIATOR	1		
2	FE09110000B	라디에이터 스펀지	RADIATOR SPONGE	2		
3	HRA1203300A4	방진고무	RUBBER, VIBRATION PROOF	2		
4	TA00069140B	슈라우드	SHROUD	1		
5	FE09120000A	단열판	TAPE,RADIATOR	1		
6	TA00069146B	슈라우드 브래킷	SHROUD BRACKET	1		
6	TA00069146A	슈라우드 브래킷	SHROUD BRACKET	1		
7	26106-060122	육각플랜지볼트	HEX BOLT (6-12)	2	M6XP1.0X12	
8	26106-060162	육각플랜지 볼트	HEXFLANGEBOLT	6	M6XP1.0X16	

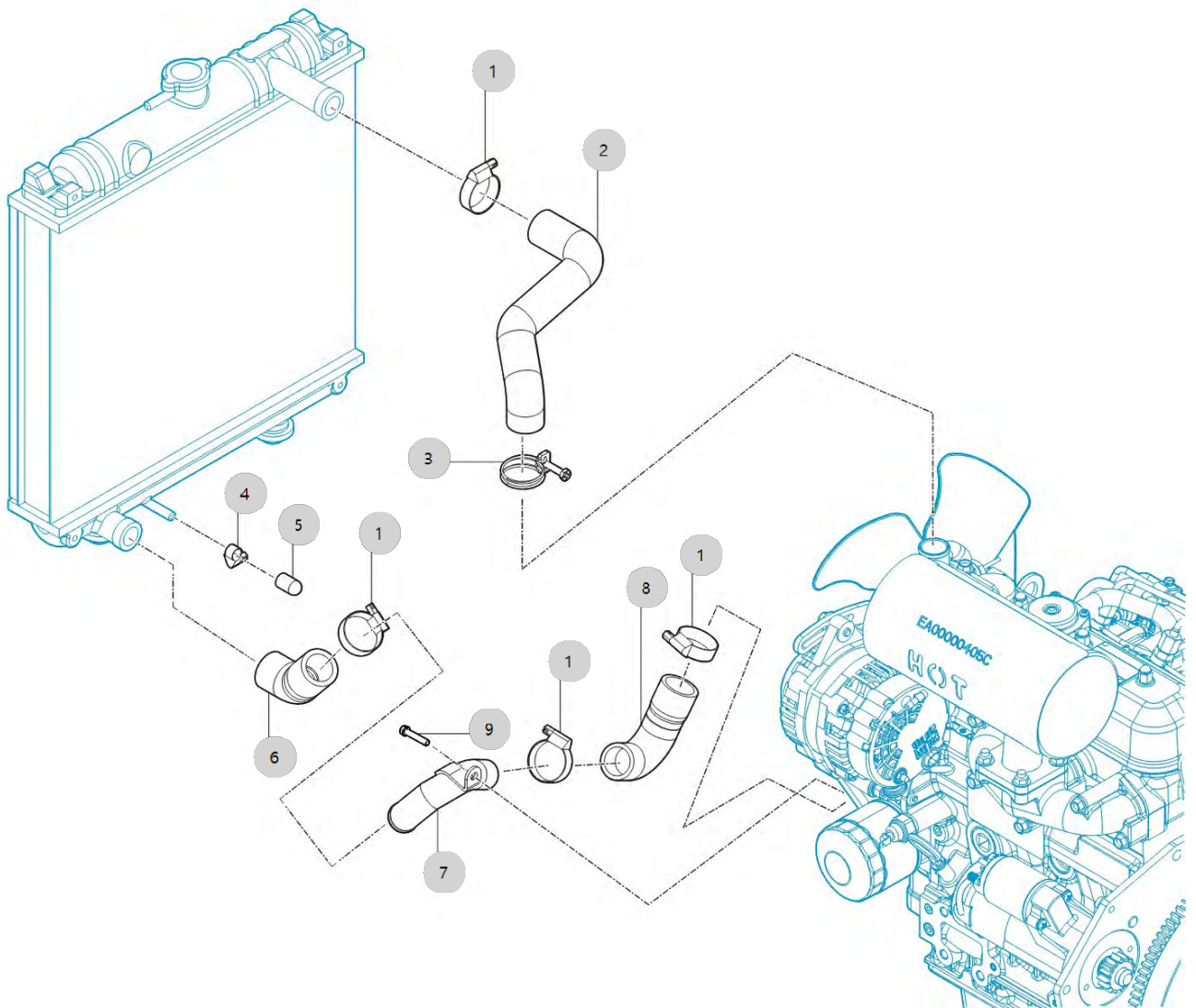
B02040

2500H_EU_FL
(AC02160)

WATER PIPE

Year/Month

2023-01-17



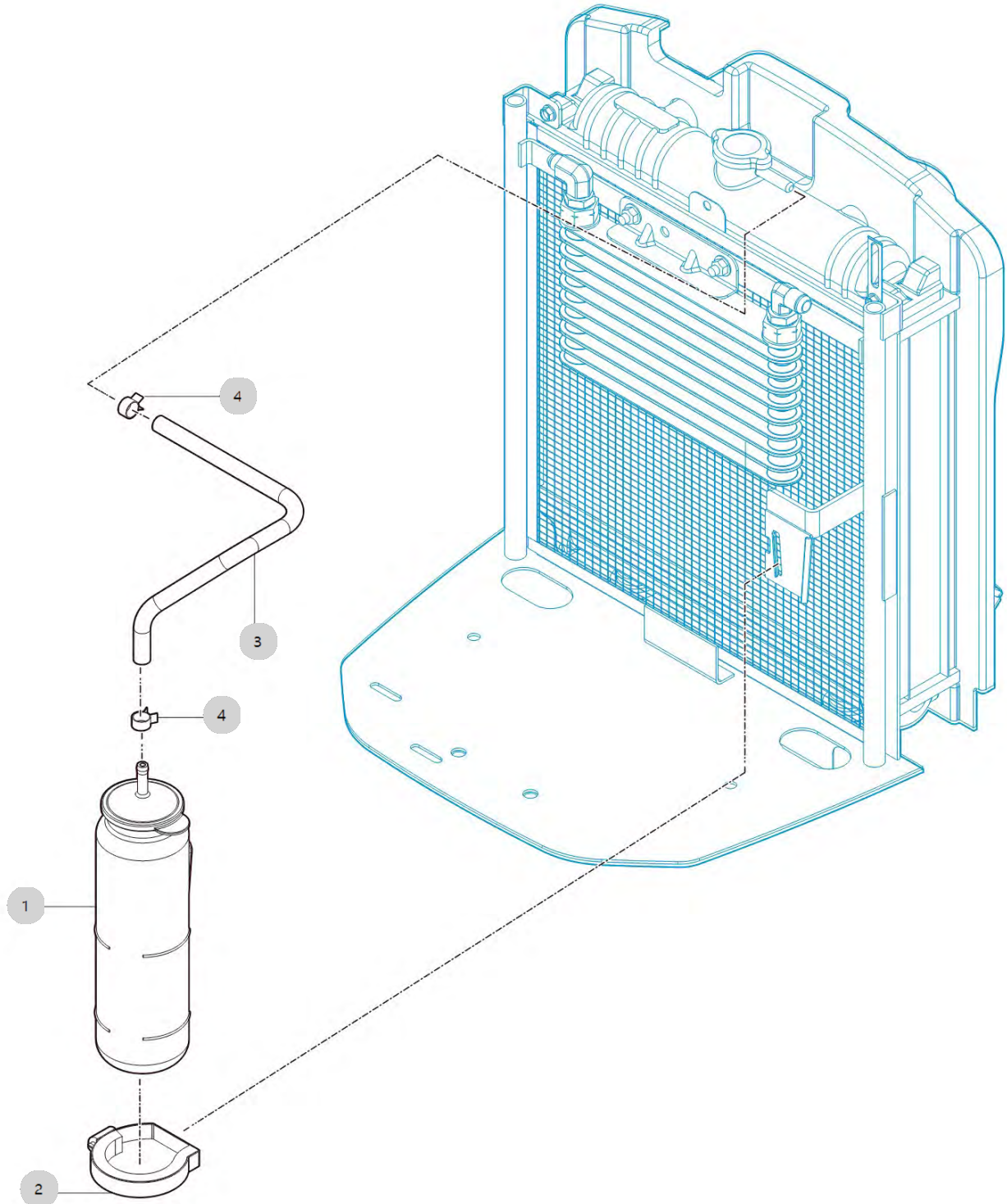
B02050

2500H_EU_FL
(AC02160)

AUXILIARY COOLANT TANK

Year/Month

2023-01-17



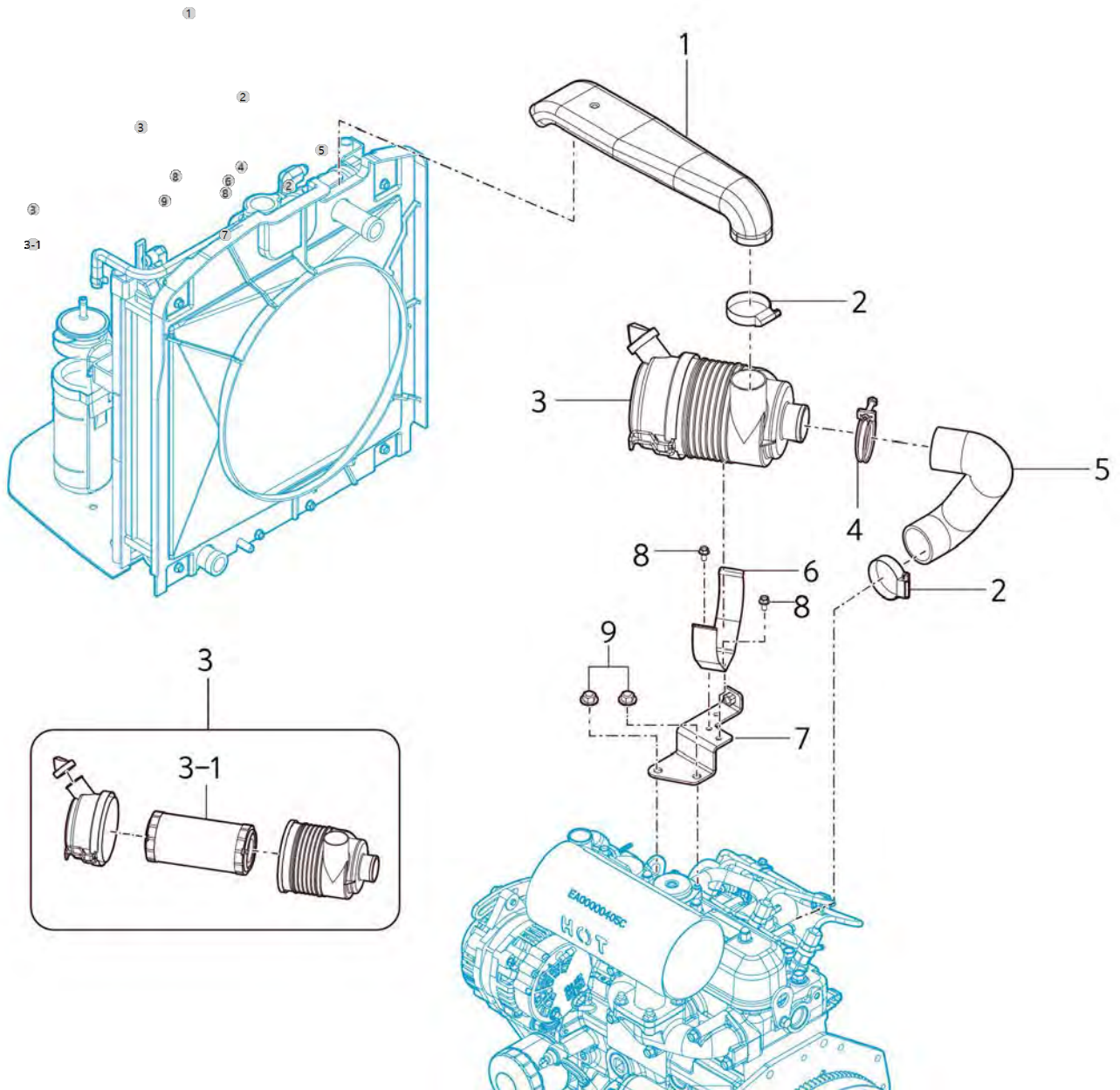
B03010

2500H_EU_FL
(AC02160)

AIR CLEANER

Year/Month

2023-01-17



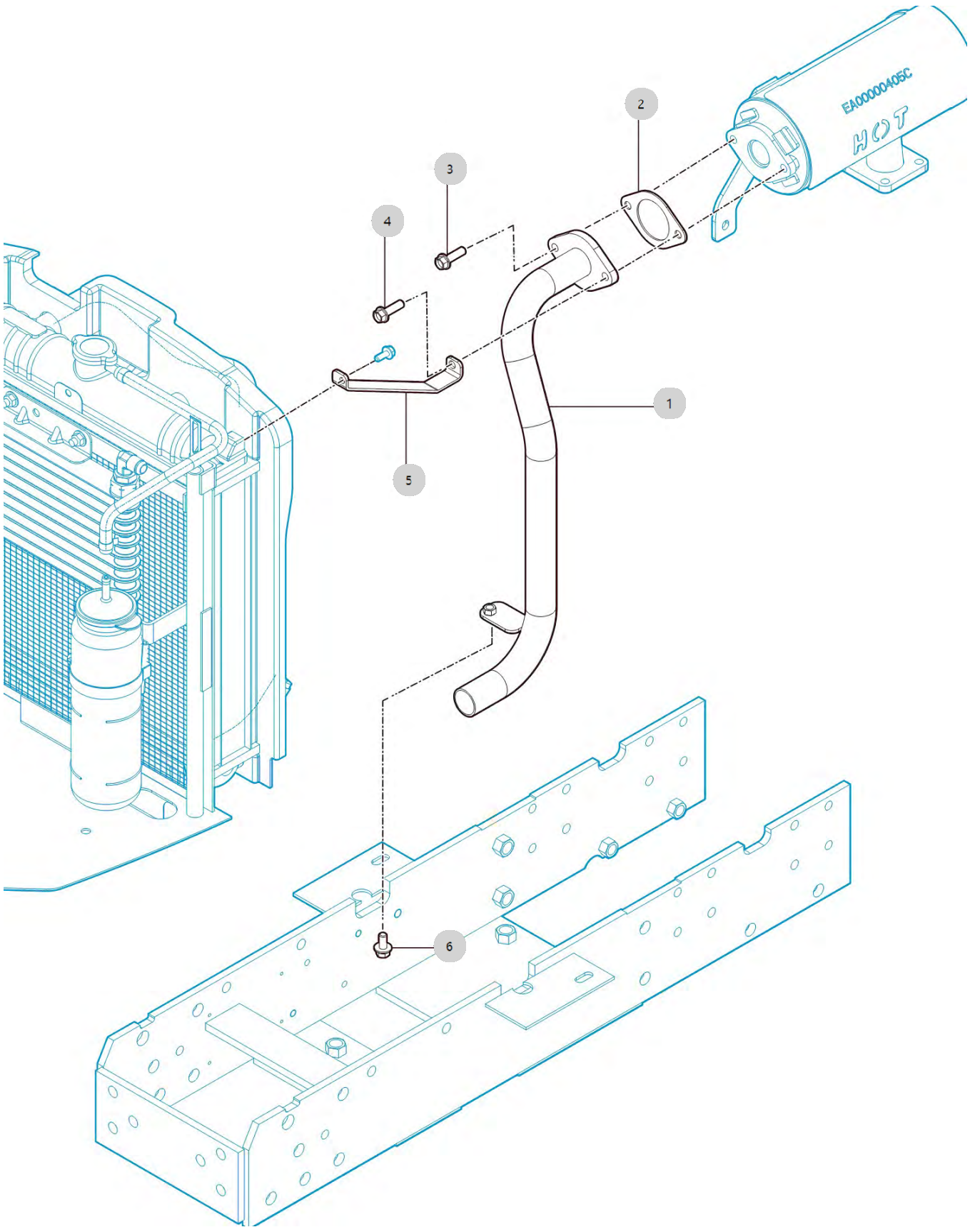
B03031

2500H_EU_FL
(AC02160)

MUFFLER

Year/Month

2023-01-17



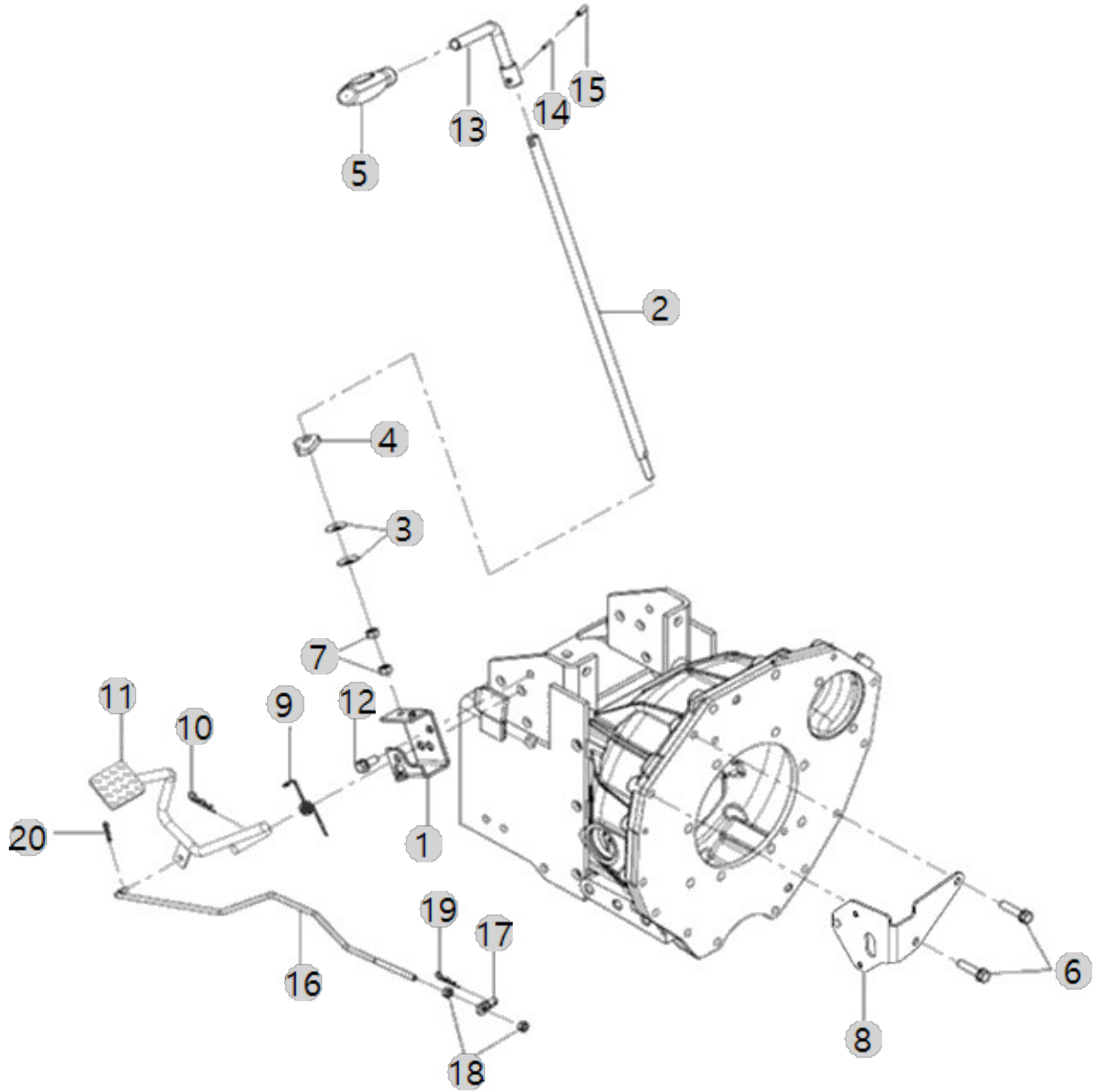
B05010M

2500H_EU_FL
(AC02160)

ACCELERATION SYSTEM

Year/Month

2023-01-17



B05010M 2500H_EU_FL (AC02160)		ACCELERATION SYSTEM				Year/Month 2023-01-17
순번 (NO)	부품번호 (PART NO)	품명 (PART NAME)	품명 (PART NAME)	수량 (QTY)	규격 (SPEC)	비고 (REMARK)
1	FE04010000A	악셀 브라켓	BRACKET, ACCELATOR (00 SERIES)	1	3.2T	
2	FE04020000A	악셀 로드	ROD, ACCELERATOR	1	D12	
3	FE04030000A	악셀 판스프링	SPRING, ACCELERATOR PLATE (00 SERIES)	2	1.0T	
4	FE04040000A	엑셀암	ARM, ACCELERATOR (00 SERIES)	1	6.0T	
5	TA00015801A	엑셀 손잡이 노브 조합	KNOB, ACCELERATOR -> TA00015801B	1		
6	26013-080352	와셔조립육각볼트(+SW)	SCREW,CAPTIVEWASHERCAP	2	M08X1.25X03	
7	26716-080002	육각너트	NUT,HEX (D8)	2	M8xP1.25	
8	TA00049127C	링크고정 브라킷조합	BRACKET, FIXING LINK	1		
9	FE04090000A	악셀 스프링	SPRING,ACCEL	1	D2.6	
10	22360-100000	스냅핀 10	PIN , SNAP (10Φ)	1	D10	
11	FE04100000C	악셀페달	PEDAL, ACCEL	1		
12	26013-080202	와셔조립육각볼트(+SW)	Bolt, Hexa (8-20)	1	M8XP1.25X20	
13	FE04140000B	악셀 레버	LEVER, ACCEL	1		
14	22351-030020	스프링핀3X20	PIN, SPRING (3X20)	1	D3X20	
15	22351-050020	스프링핀5X20	PIN, SPRING (5-20)	1	D5X20	
16	TA00049207A	연결조합 로드	ASS'Y ROD, RELEASE	1		
17	FE04180000A	컨넥터	CONNECTOR	1	D8	
18	26712-060002	육각너트	NUT	2	M6XP1.0	
19	22360-080000	스냅핀8	PIN , SNAP (8Φ)	1	D8	
20	22360-060000	스냅핀	PIN , SNAP (6Φ)	1	D6	
21	26013-080352	와셔조립육각볼트(+SW)	SCREW,CAPTIVEWASHERCAP	2	M08X1.25X03	

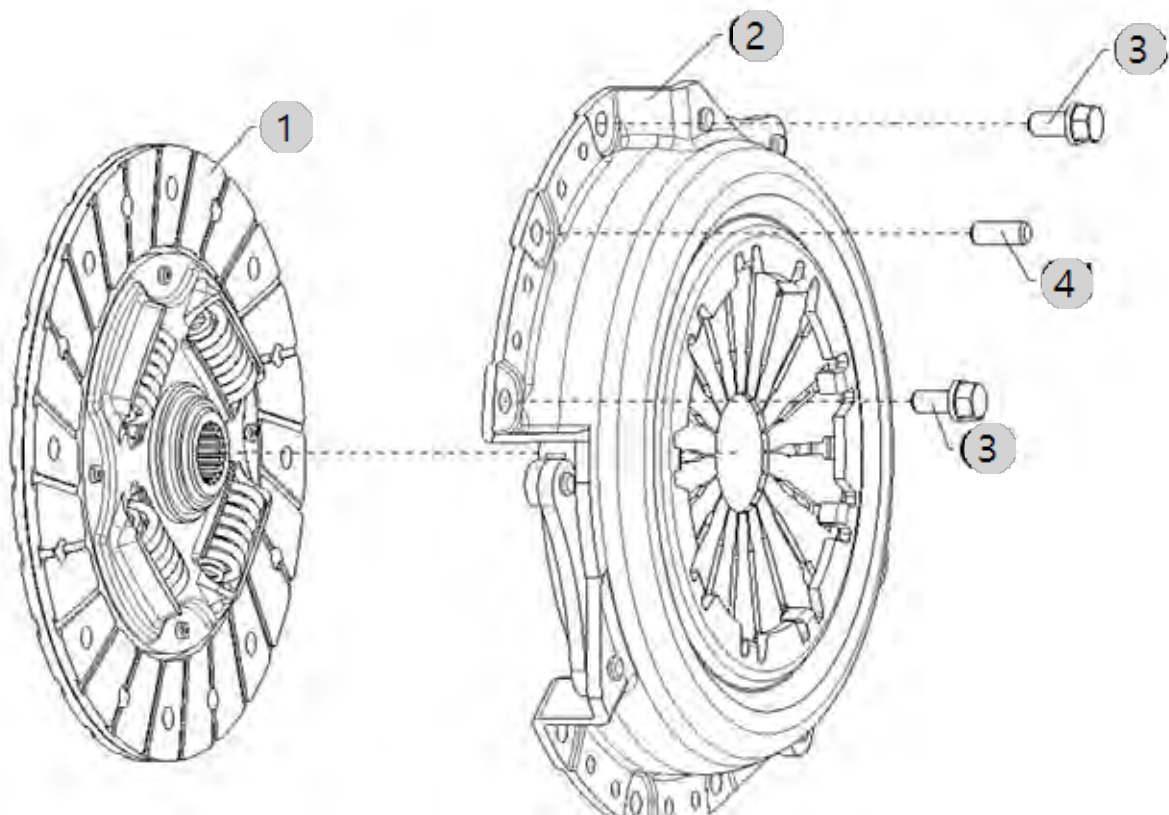
C01010

2500H_EU_FL
(AC02160)

CLUTCH DISC

Year/Month

2023-01-17



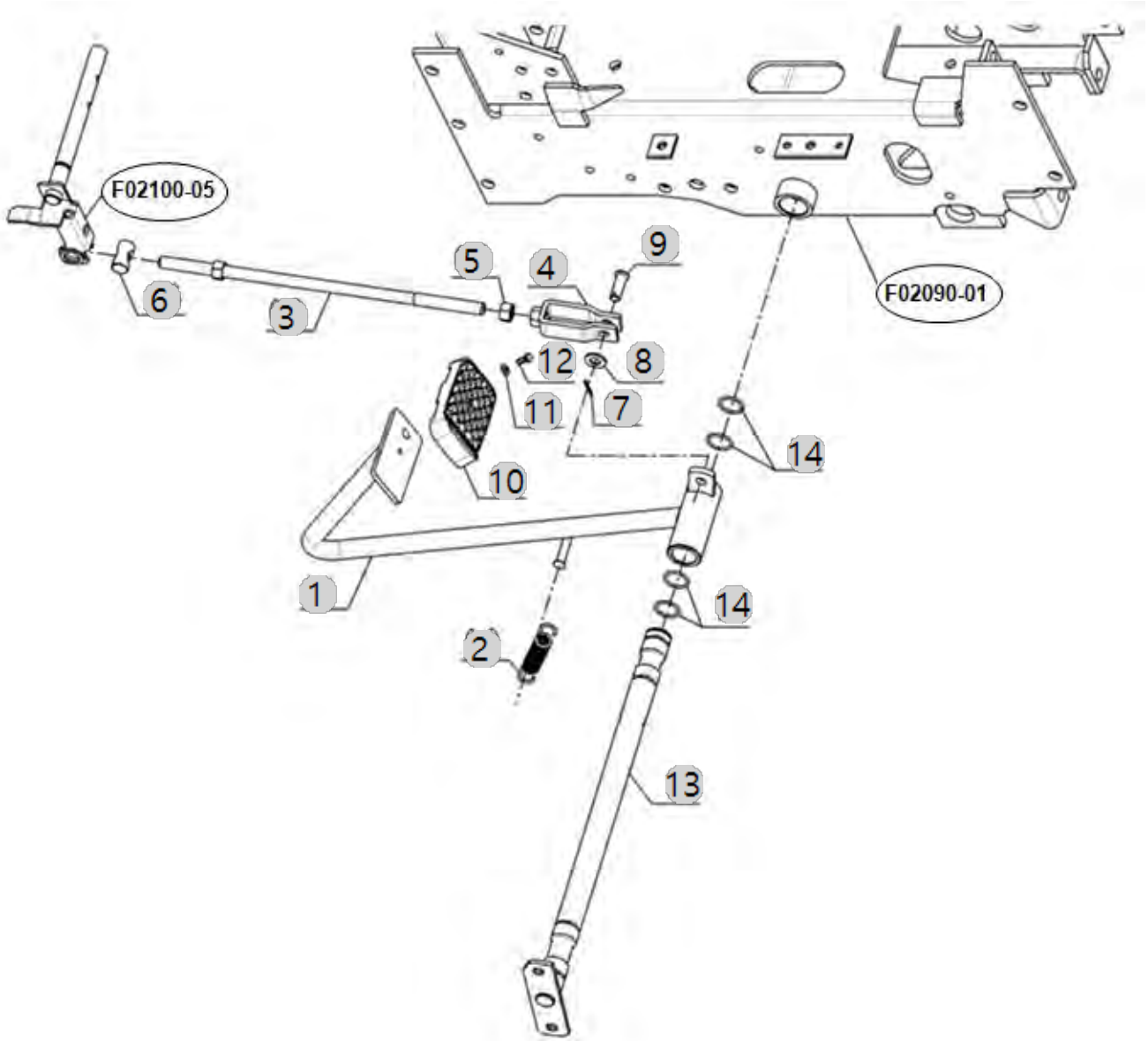
C01030

2500H_EU_FL
(AC02160)

CLUTCH PADAL

Year/Month

2023-01-17



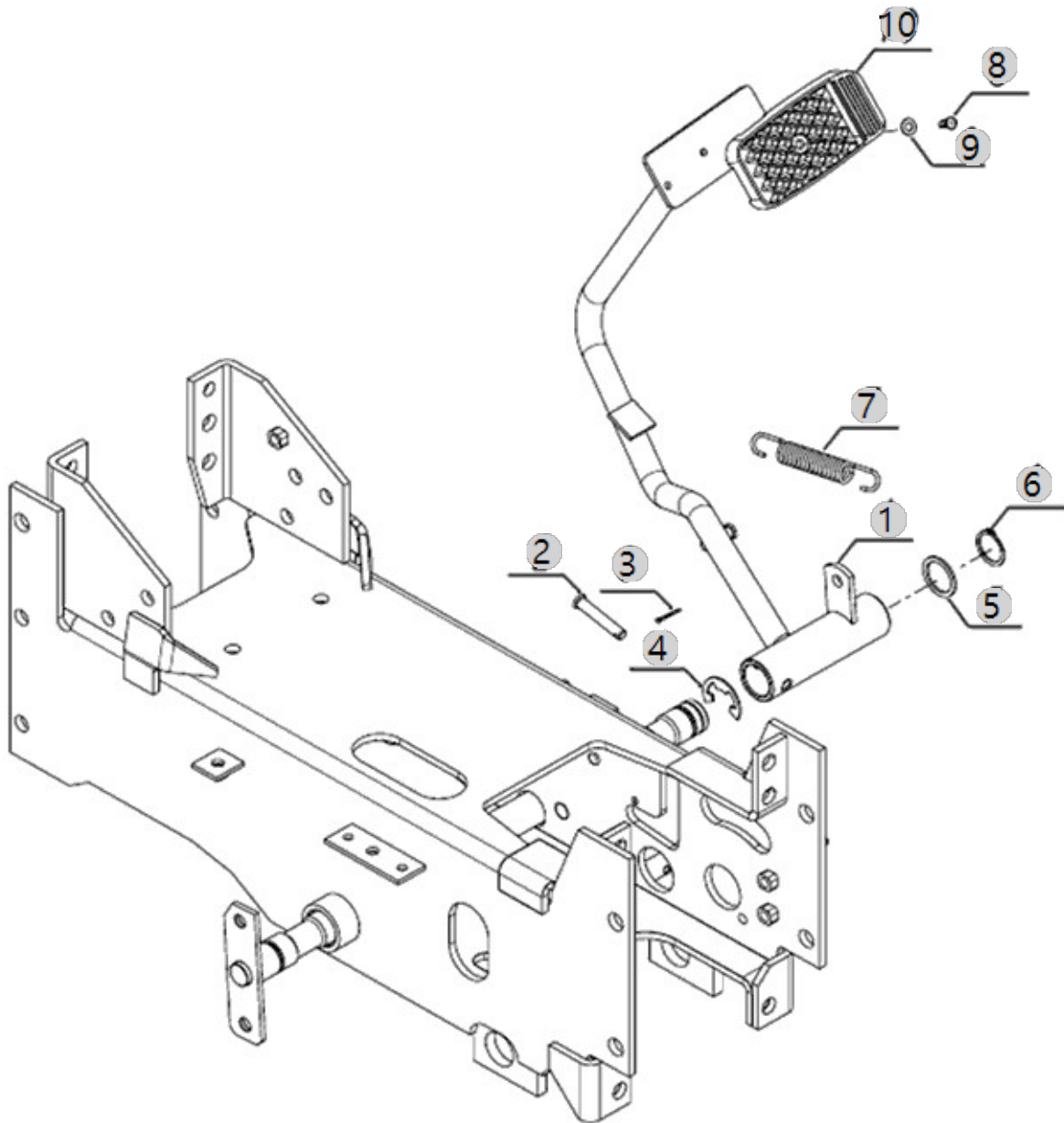
C02010

2500H_EU_FL
(AC02160)

BRAKE PEDAL

Year/Month

2023-01-17



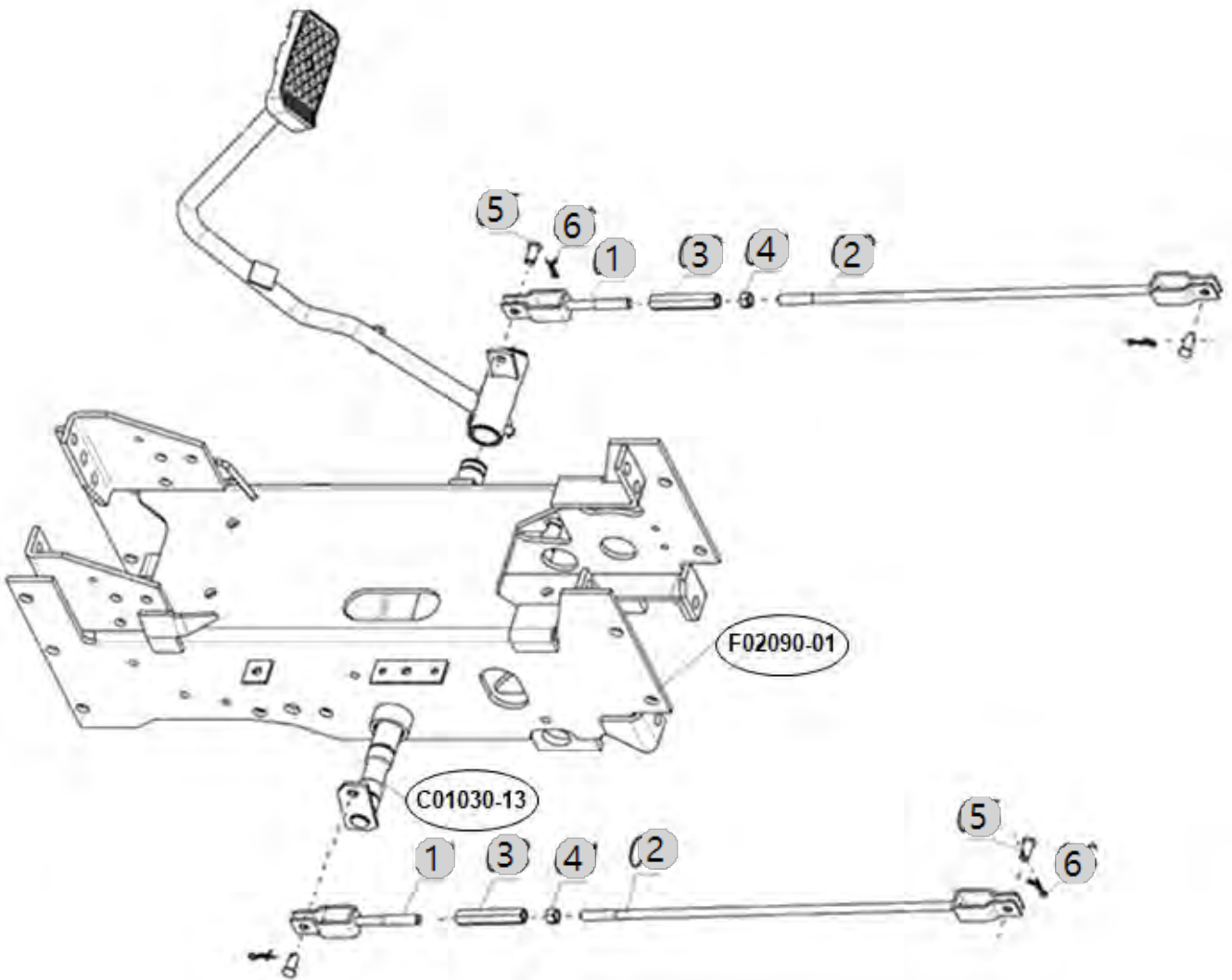
C02030

2500H_EU_FL
(AC02160)

BRAKE ROD

Year/Month

2023-01-17



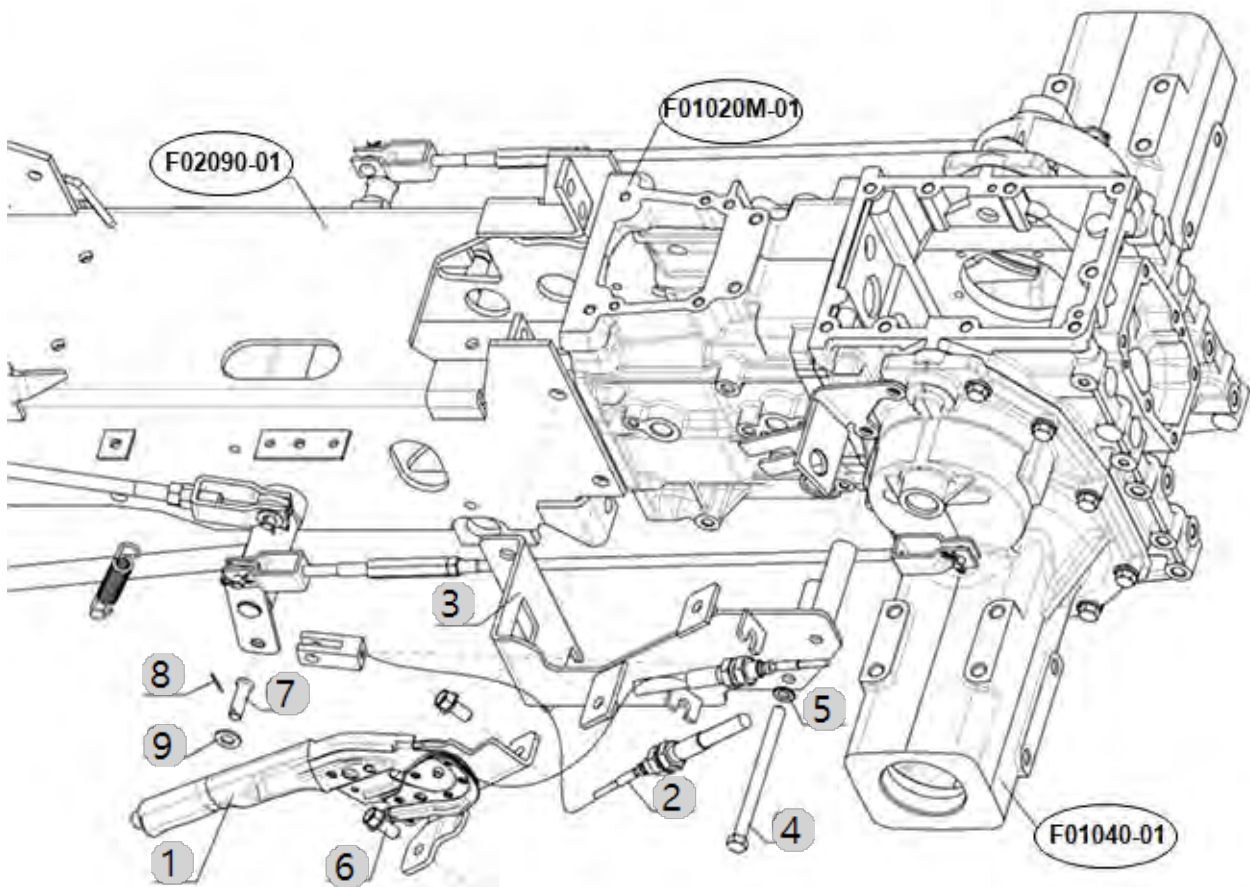
C02064

2500H_EU_FL
(AC02160)

SIDE BRAKE

Year/Month

2023-01-17



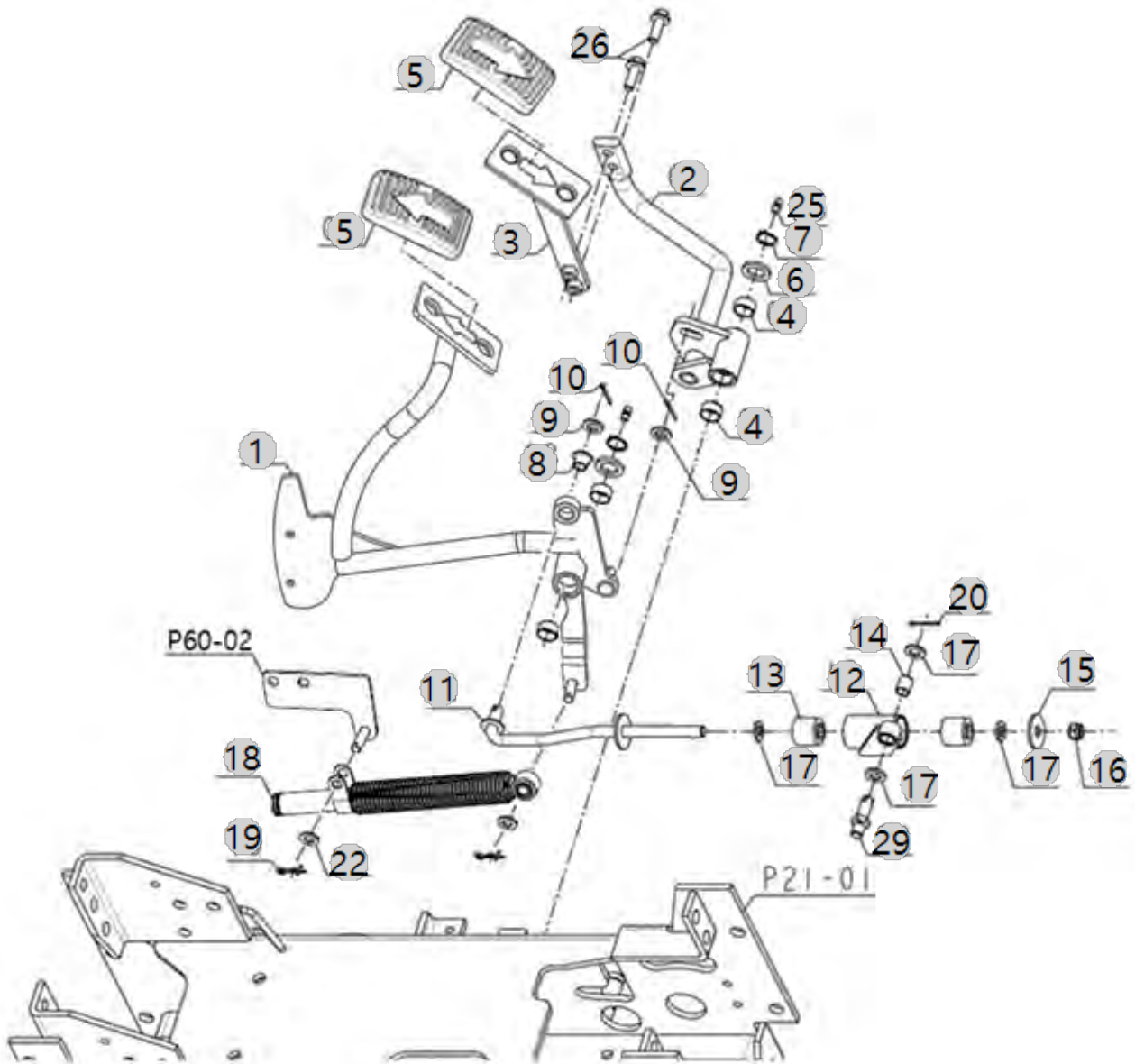
C03010

2500H_EU_FL
(AC02160)

HST PEDAL

Year/Month

2023-01-17



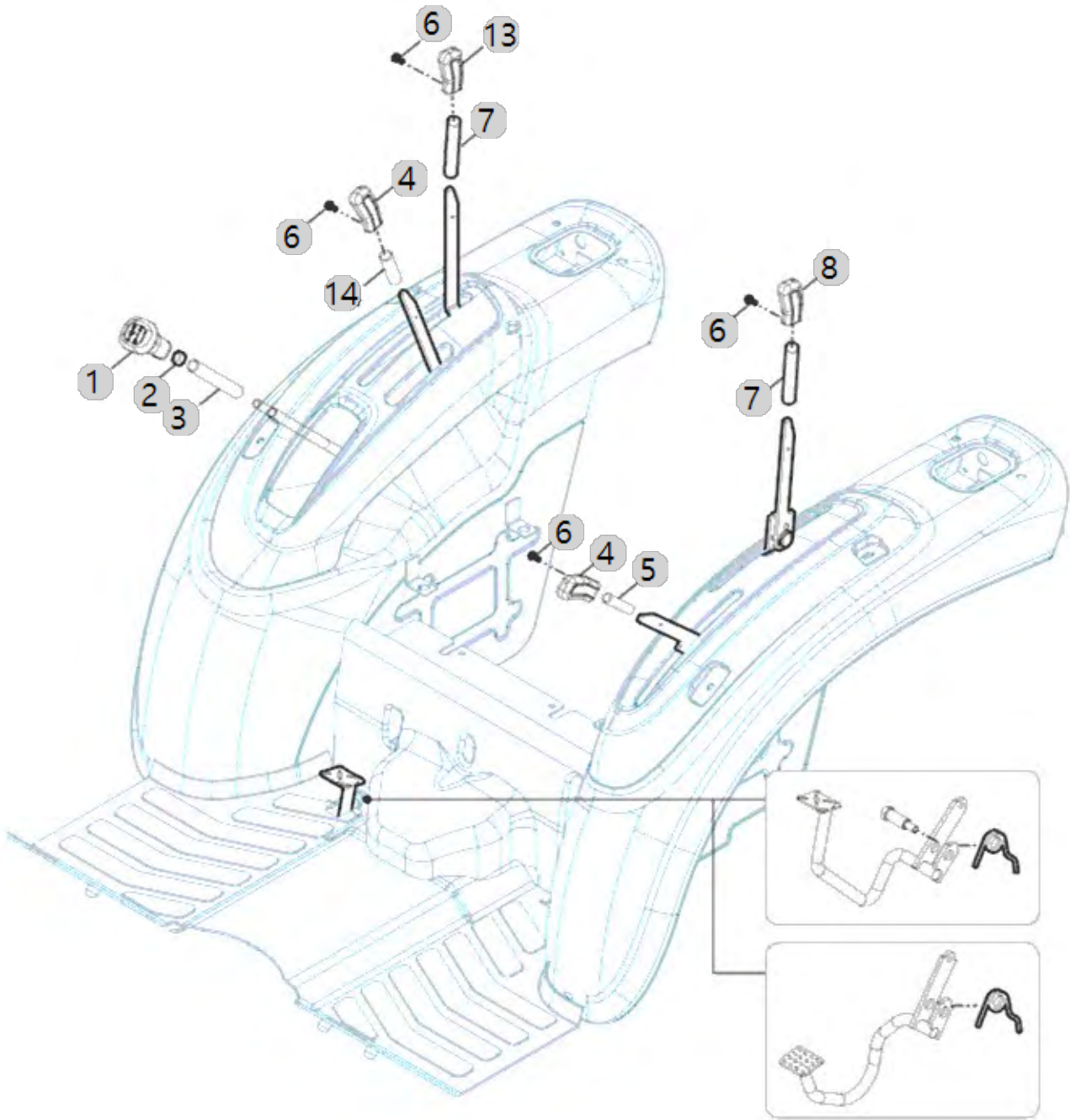
C04000M

2500H_EU_FL
(AC02160)

LEVER&PEDAL ASS'Y

Year/Month

2023-01-17



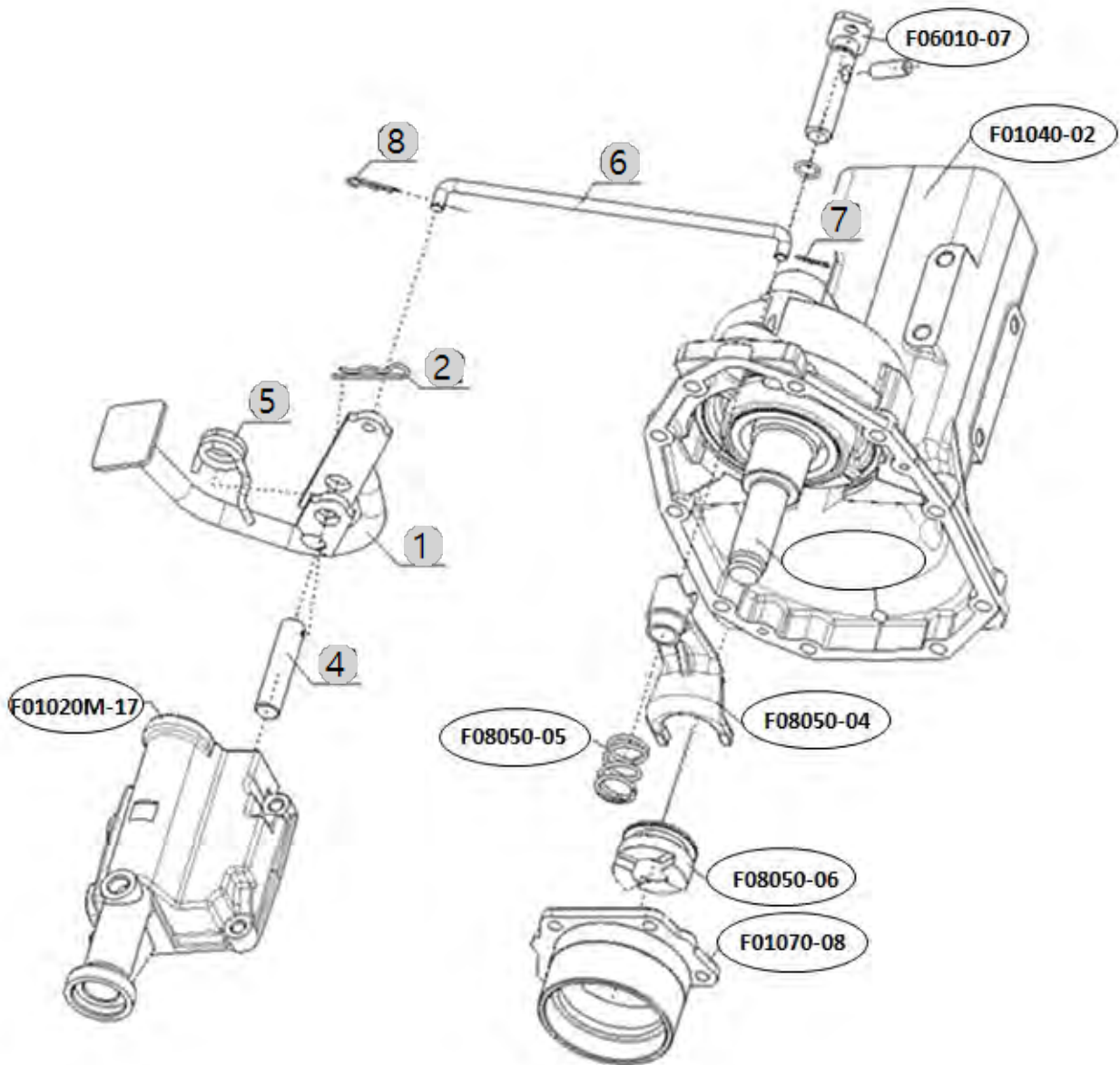
C04040M

2500H_EU_FL
(AC02160)

DIFF. LOCK PEDAL

Year/Month

2023-01-17



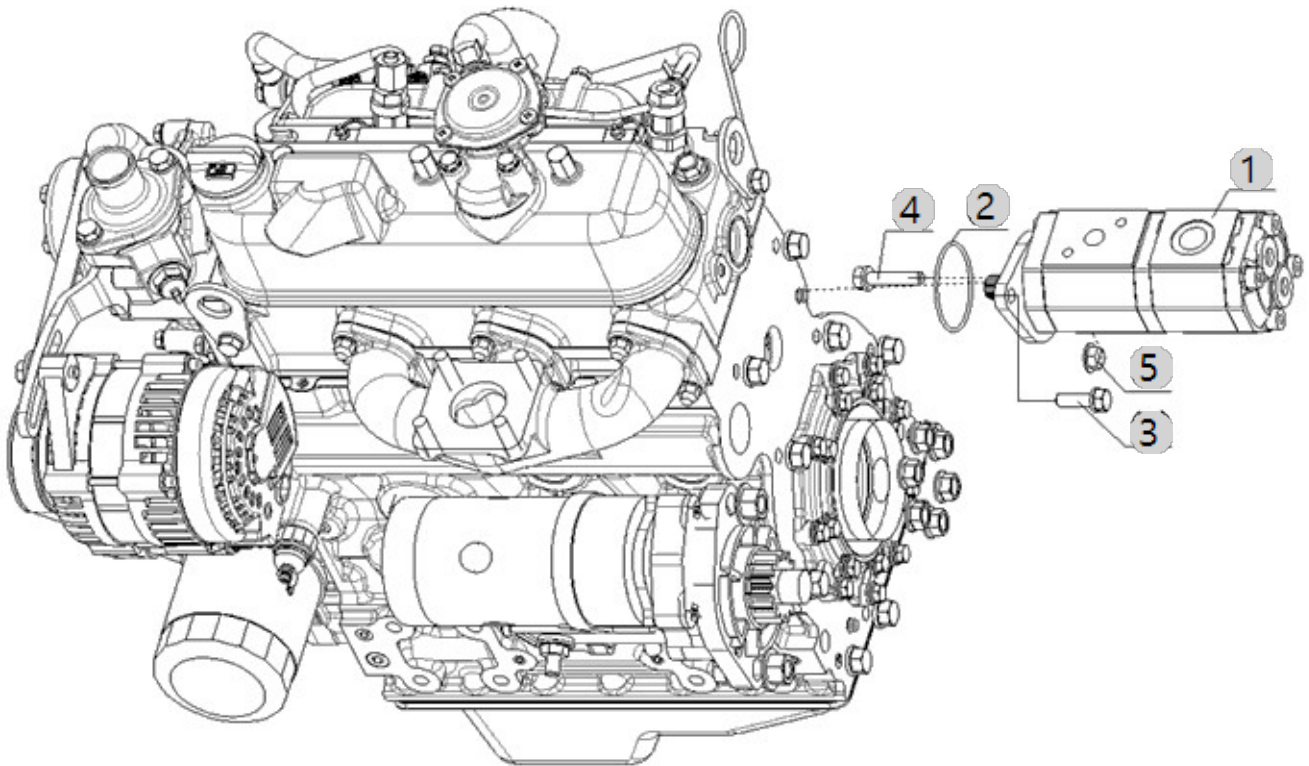
D01010

2500H_EU_FL
(AC02160)

HYDRAULIC PUMP

Year/Month

2023-01-17



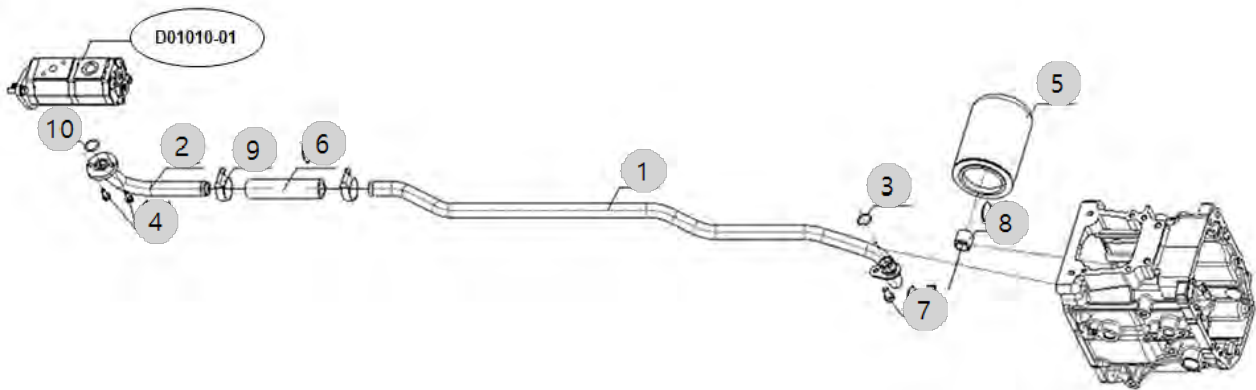
D01011

2500H_EU_FL
(AC02160)

HYDRAULIC OIL LINE

Year/Month

2023-01-17



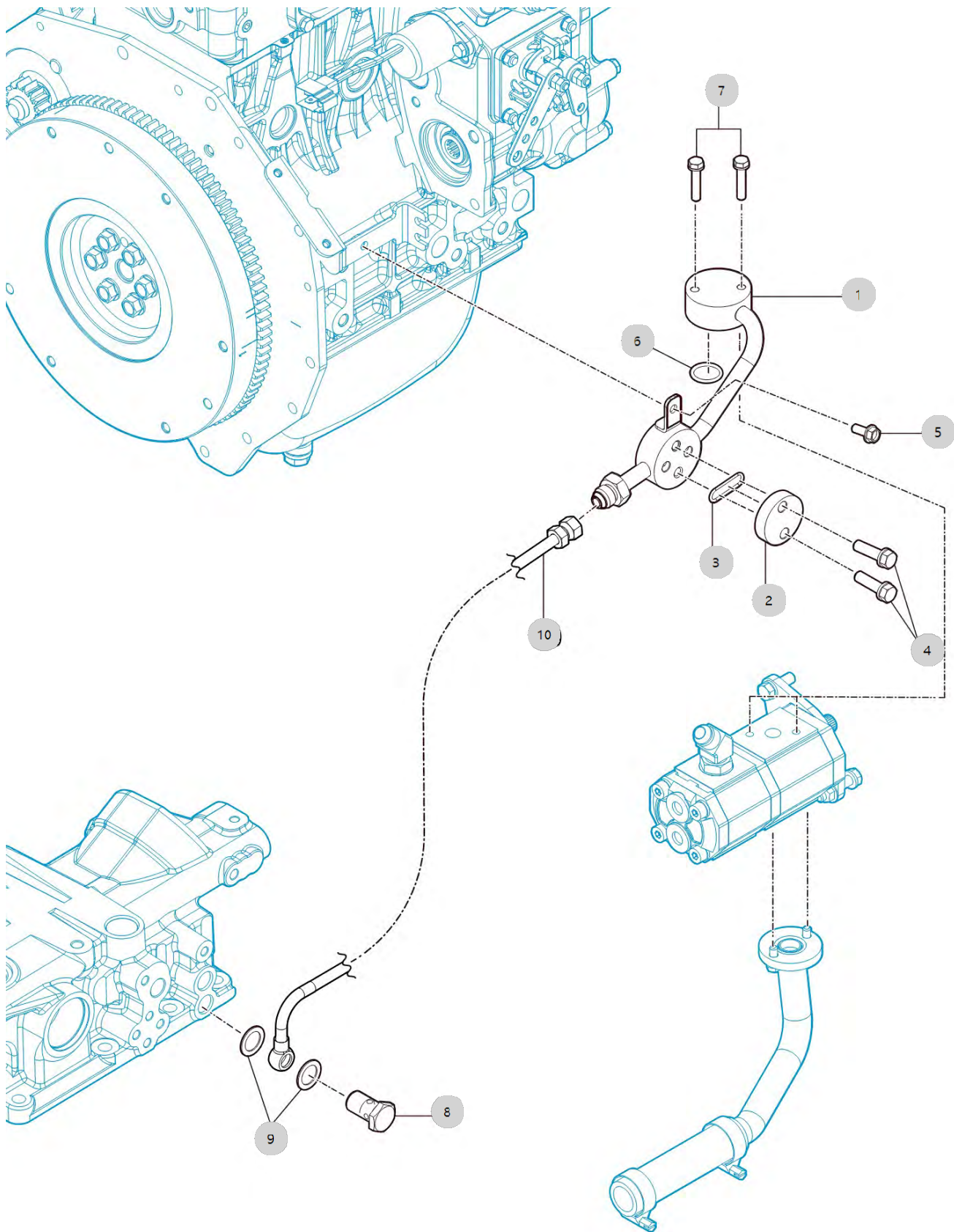
D01012

2500H_EU_FL
(AC02160)

HYDRAULIC OIL LINE/DELIVERY

Year/Month

2023-01-17



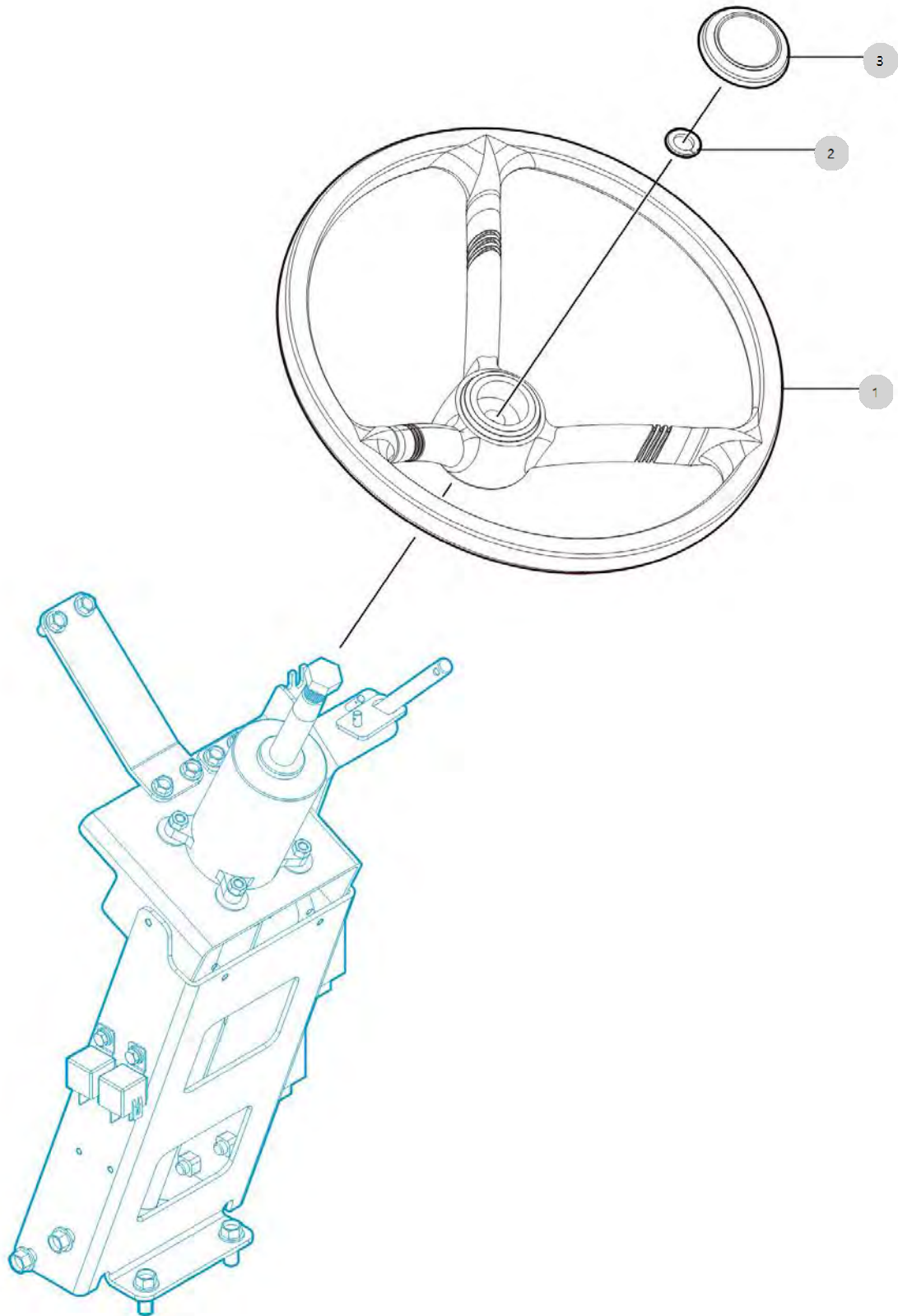
D02010

2500H_EU_FL
(AC02160)

STEERING WHEEL

Year/Month

2023-01-17



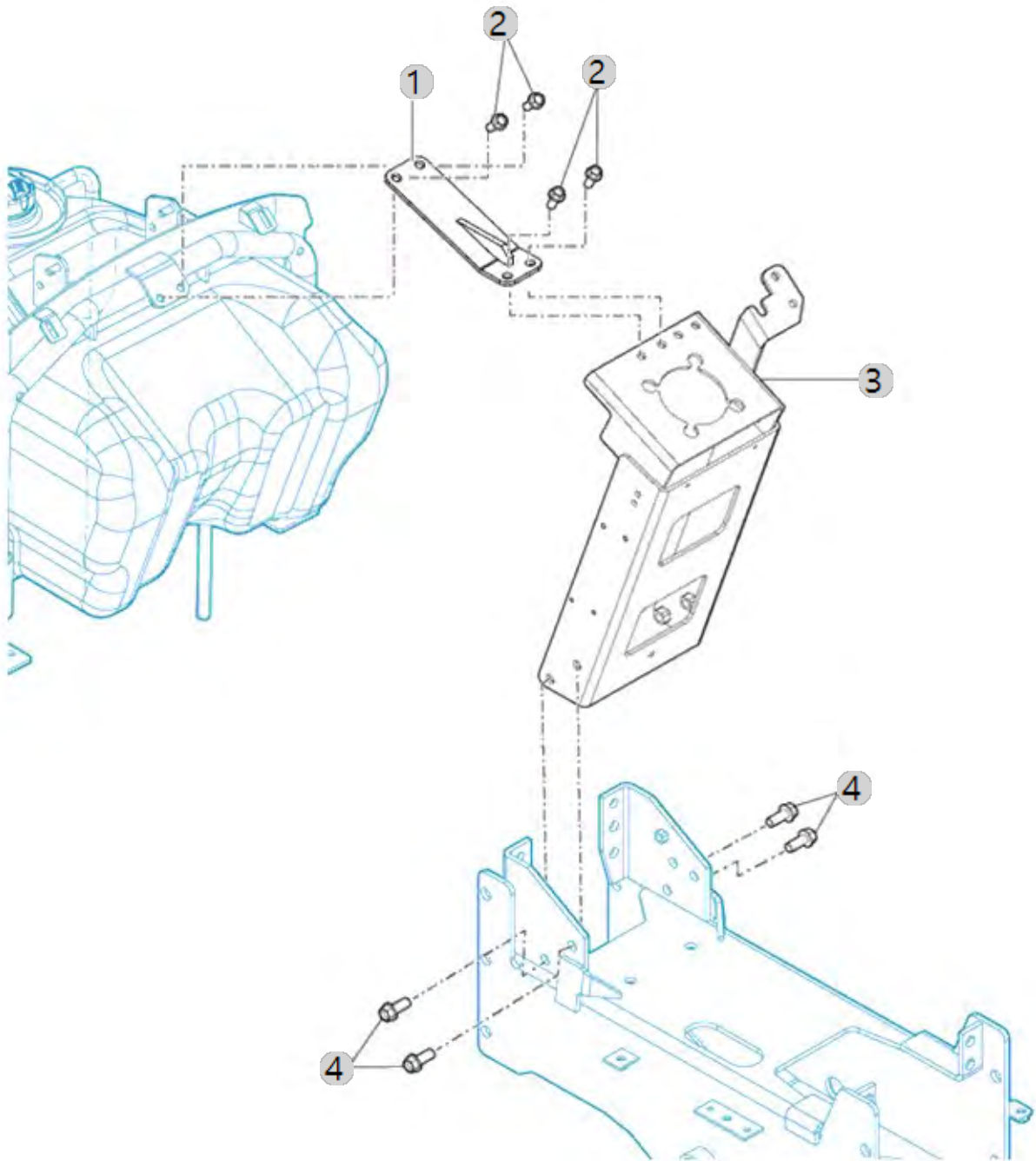
D02011

2500H_EU_FL
(AC02160)

STEERING MOUNTING

Year/Month

2023-01-17



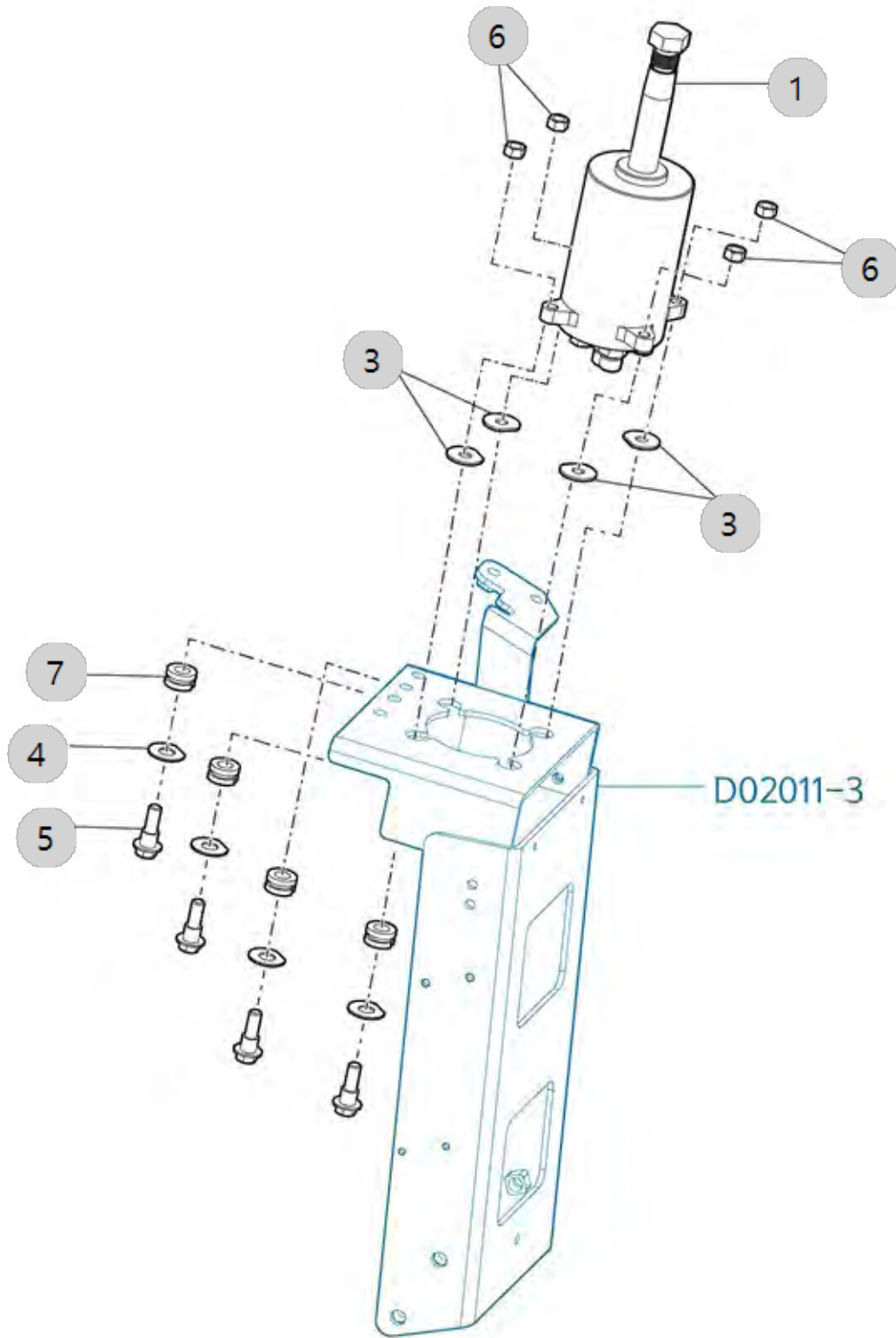
D02020

2500H_EU_FL
(AC02160)

STEERING VALVE

Year/Month

2023-01-17



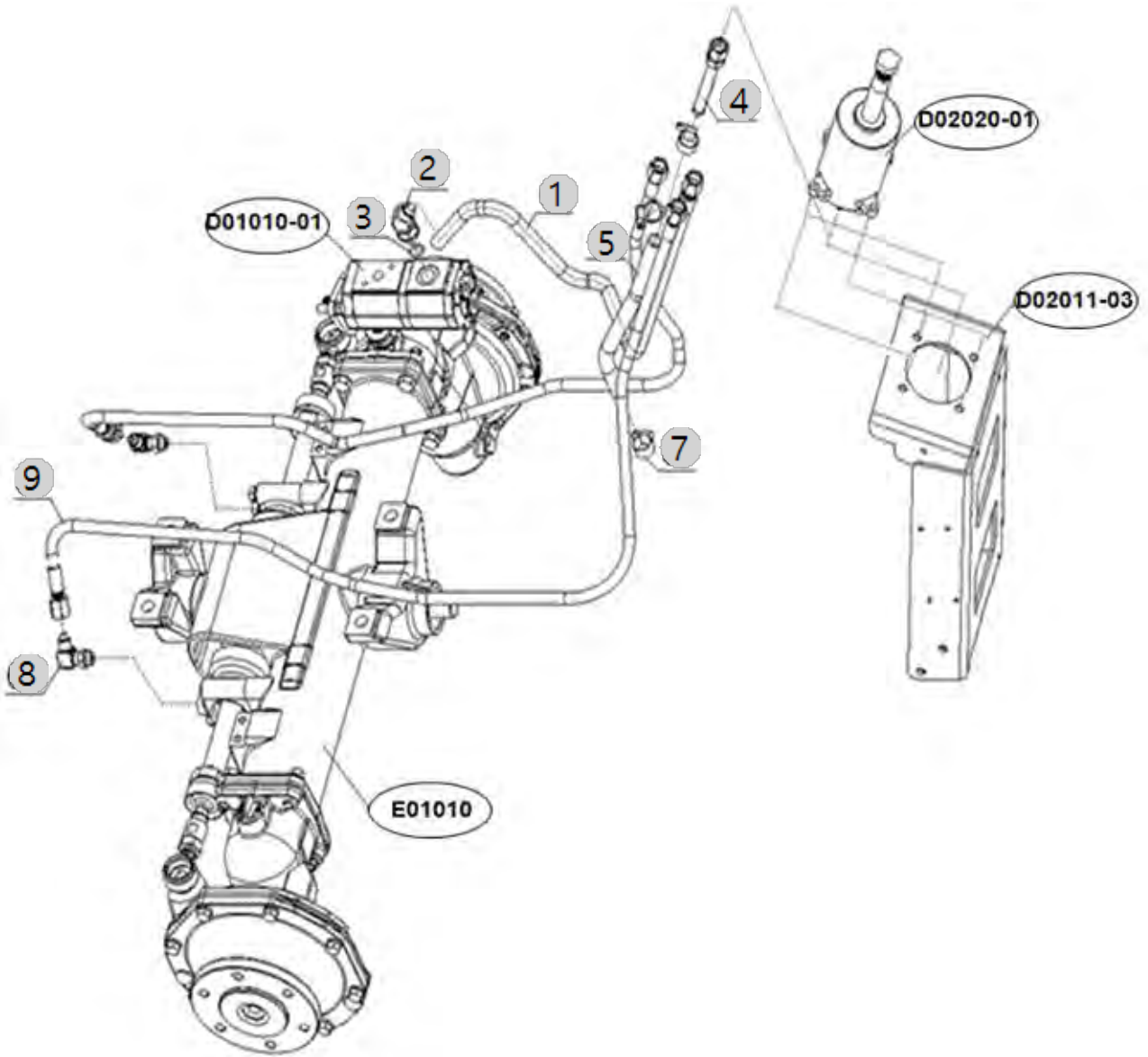
D02030

2500H_EU_FL
(AC02160)

PST HOSE

Year/Month

2023-01-17



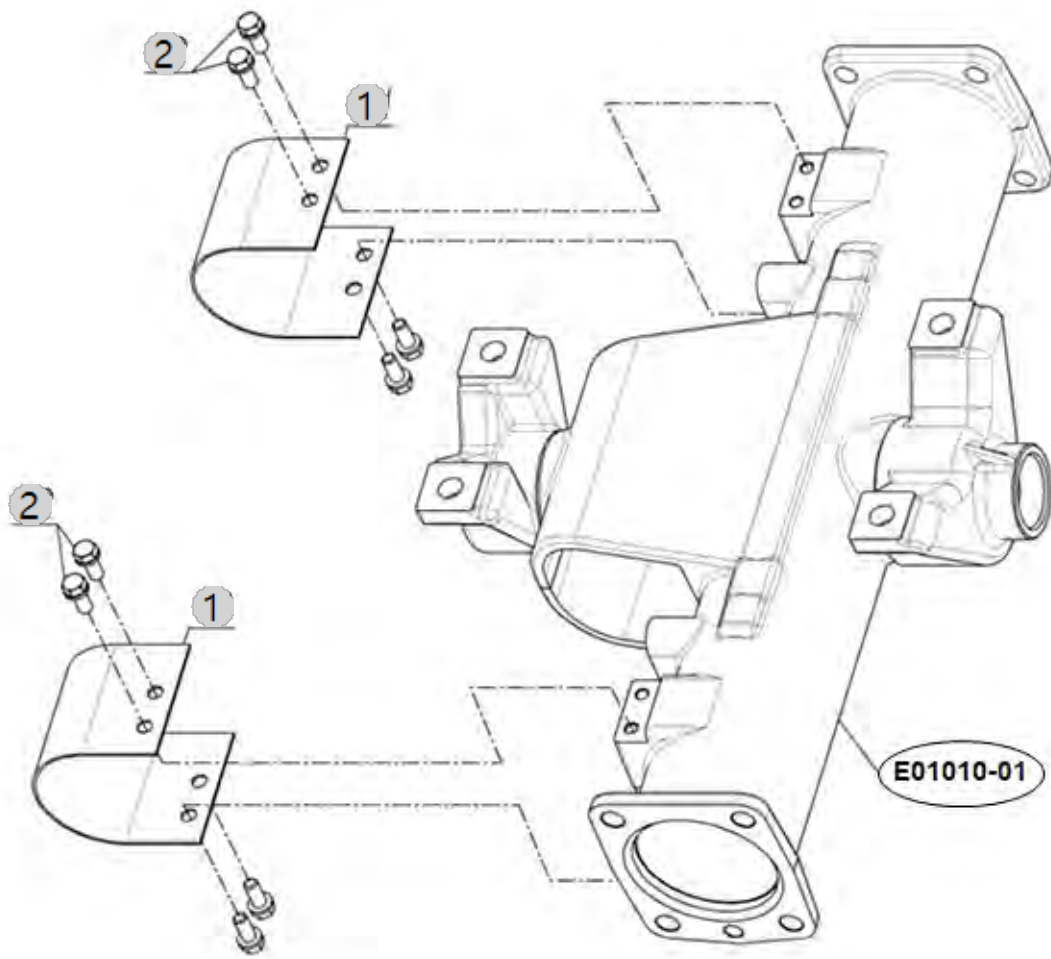
D02041

2500H_EU_FL
(AC02160)

PST COVER

Year/Month

2023-01-17



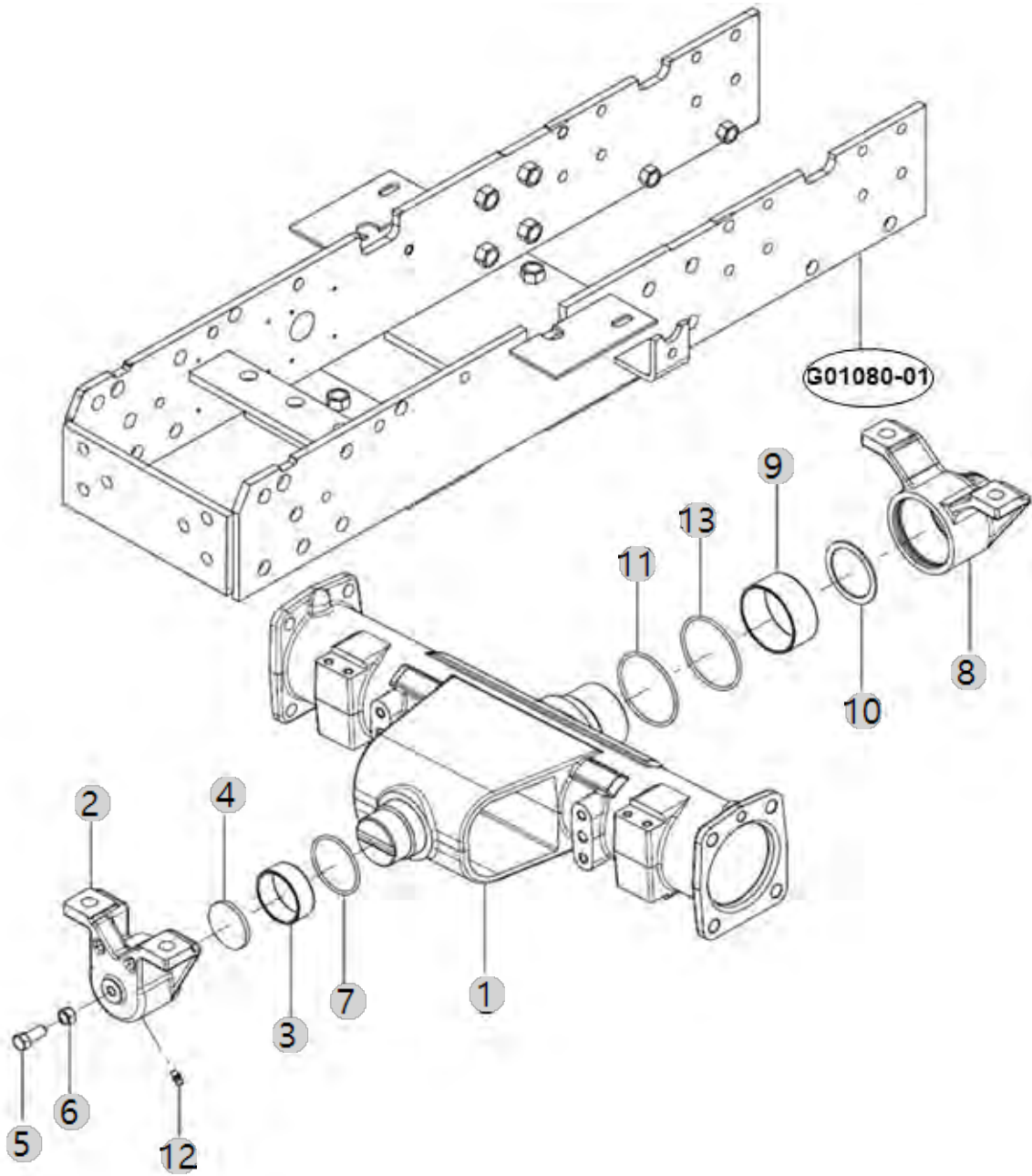
E01010

2500H_EU_FL
(AC02160)

FRONT AXLE CASE

Year/Month

2023-01-17



E01010 2500H_EU_FL (AC02160)		FRONT AXLE CASE				Year/Month 2023-01-17
순번 (NO)	부품번호 (PART NO)	품명 (PART NAME)	품명 (PART NAME)	수량 (QTY)	규격 (SPEC)	비고 (REMARK)
1	FE76010000B	전차축 케이스	CASE, FRONT AXLE	1		
2	FE76040000C	홀더(전)	HOLDER, FRONT	1		
3	24550-050200	드라이부시	BUSH, DRY	1	50X20	
4	FE76060000A	스러스트 칼라	COLLAR, THRUST	1	4.5T	
4	FE76120000A	스러스트 칼라	COLLAR, THRUST	1	2.0T	
5	26116-100252	볼트 7T(10X25)	BOLT 7T(100X25)	1	M10X1.5X25	
6	26716-100002	육각너트	Nut, Hexa (Φ10)	1	M10XP1.5	
7	24321-000550	O-링	SEAL, O-RING	1	1A G55.0	
8	FE76100000B	홀더(후)	HOLDER	1		
9	24550-065300	드라이부시	DRY BUSH	1		
10	FE76120000A	스러스트 칼라	COLLAR, THRUST	1	2.0T	
11	24321-000700	O-링 1AG-70(국산) D130공용	O-RING 1AG-70	1	G70	
12	24764-060000	그리스니플	GREASE NIPPLE	1		
13	24321-000650	O-링 1AG-65(국산)	O-RING, FIX(Φ65)	1	G65.0	

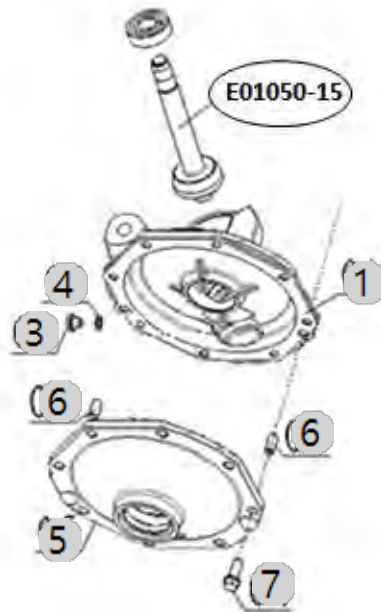
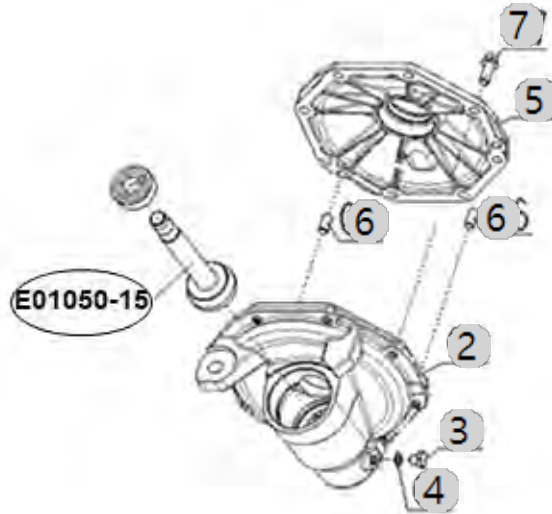
E01030

2500H_EU_FL
(AC02160)

GEAR CASE, FRONT AXLE

Year/Month

2023-01-17



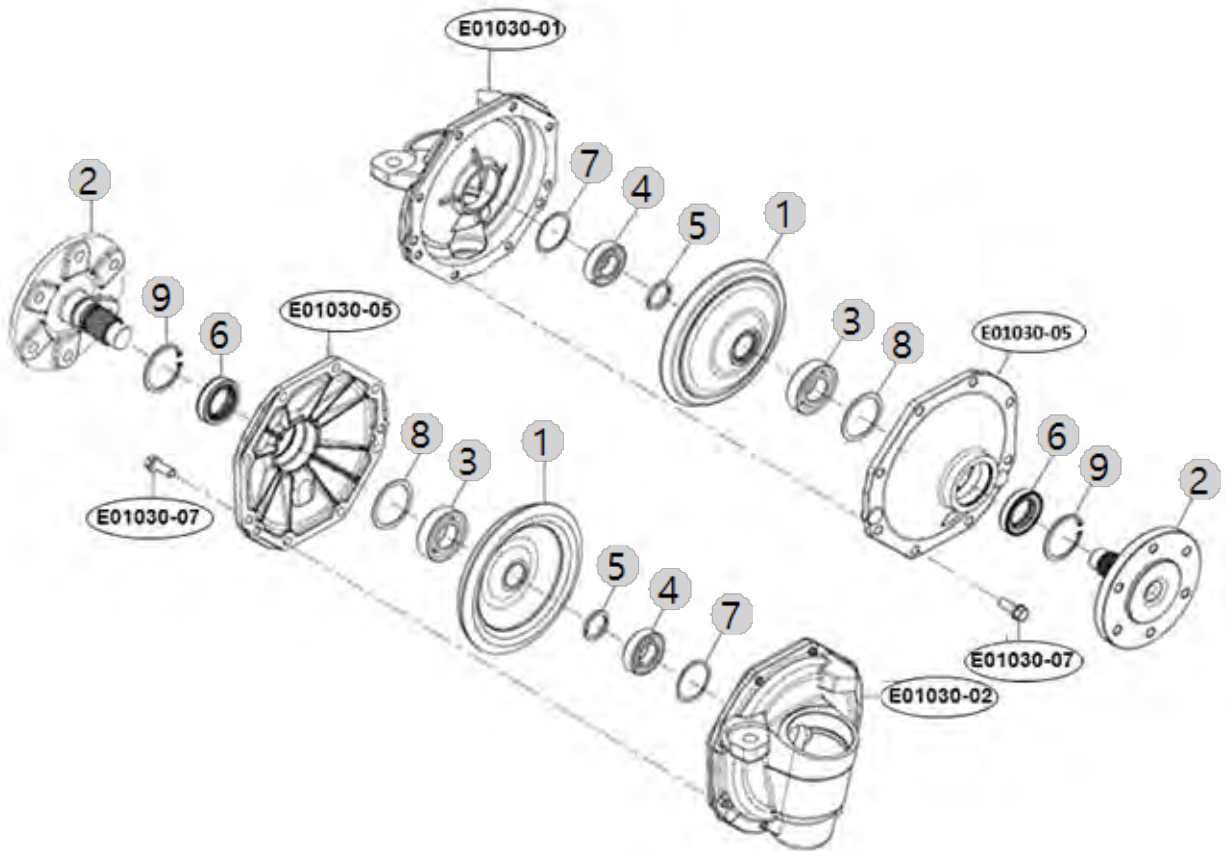
E01030-1

2500H_EU_FL
(AC02160)

GEAR CASE, FRONT AXLE

Year/Month

2023-01-17



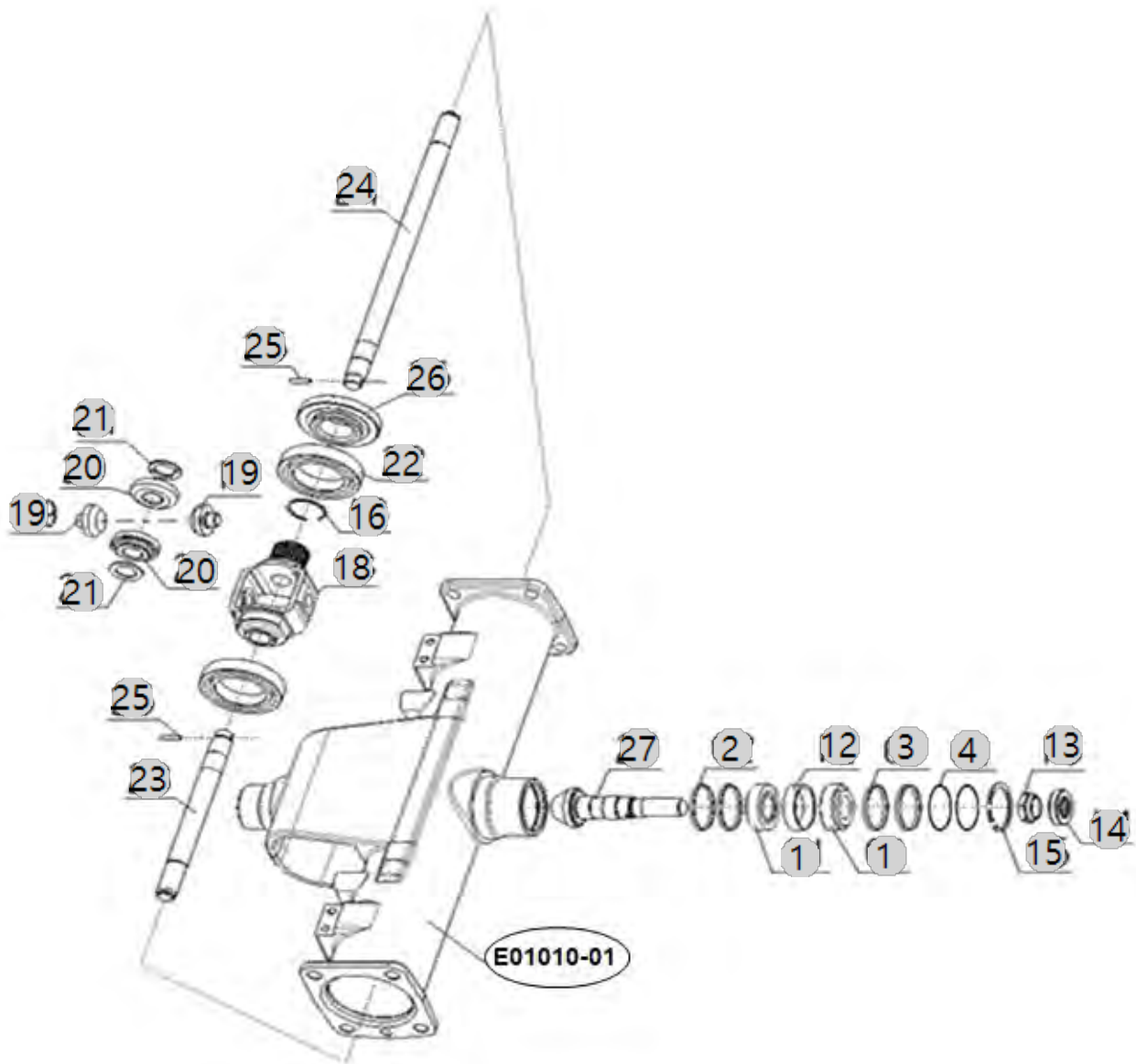
E01040

2500H_EU_FL
(AC02160)

FRONT DIFFERENTIAL

Year/Month

2023-01-17



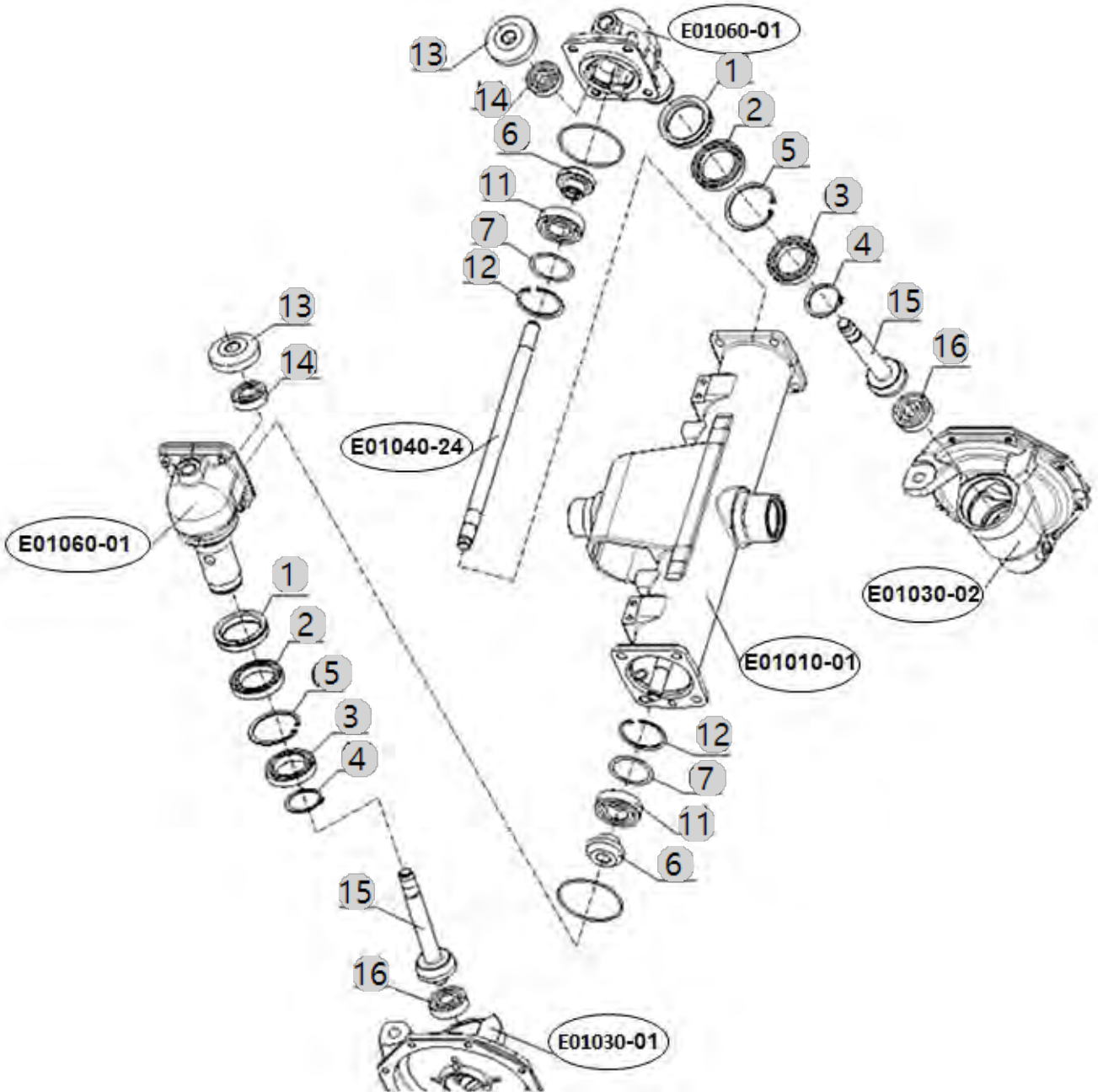
E01050

2500H_EU_FL
(AC02160)

BEVEL GEAR

Year/Month

2023-01-17



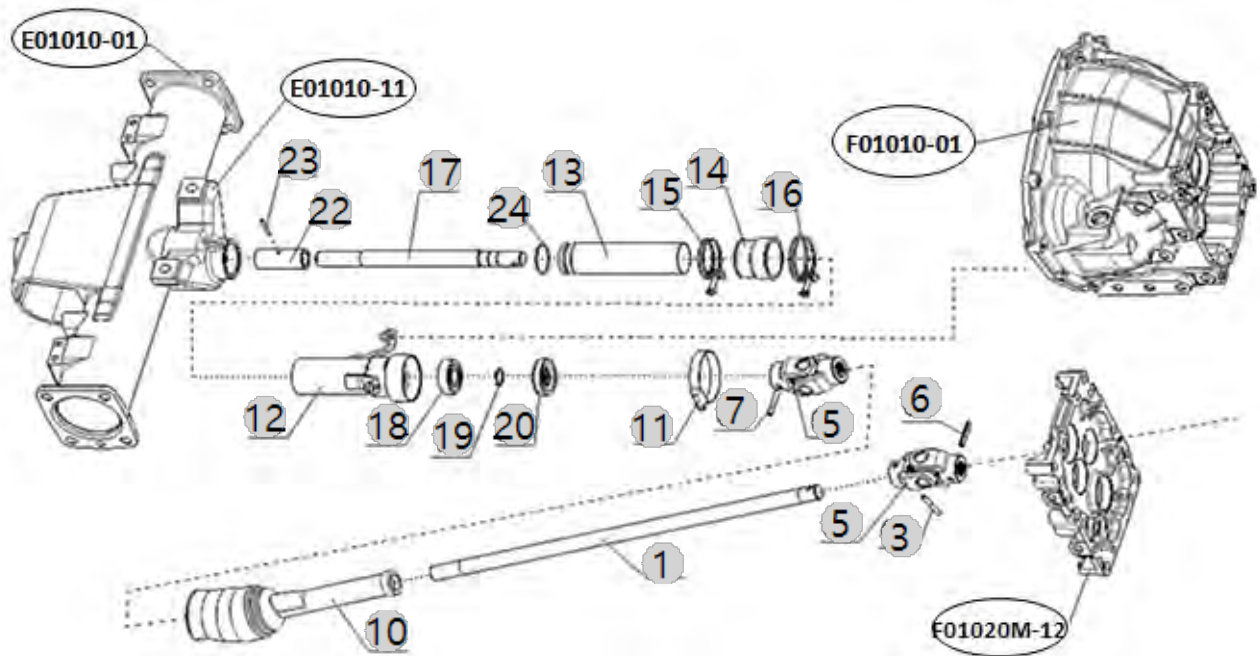
E01070M

2500H_EU_FL
(AC02160)

FRONT DRIVE SHAFT

Year/Month

2023-01-17



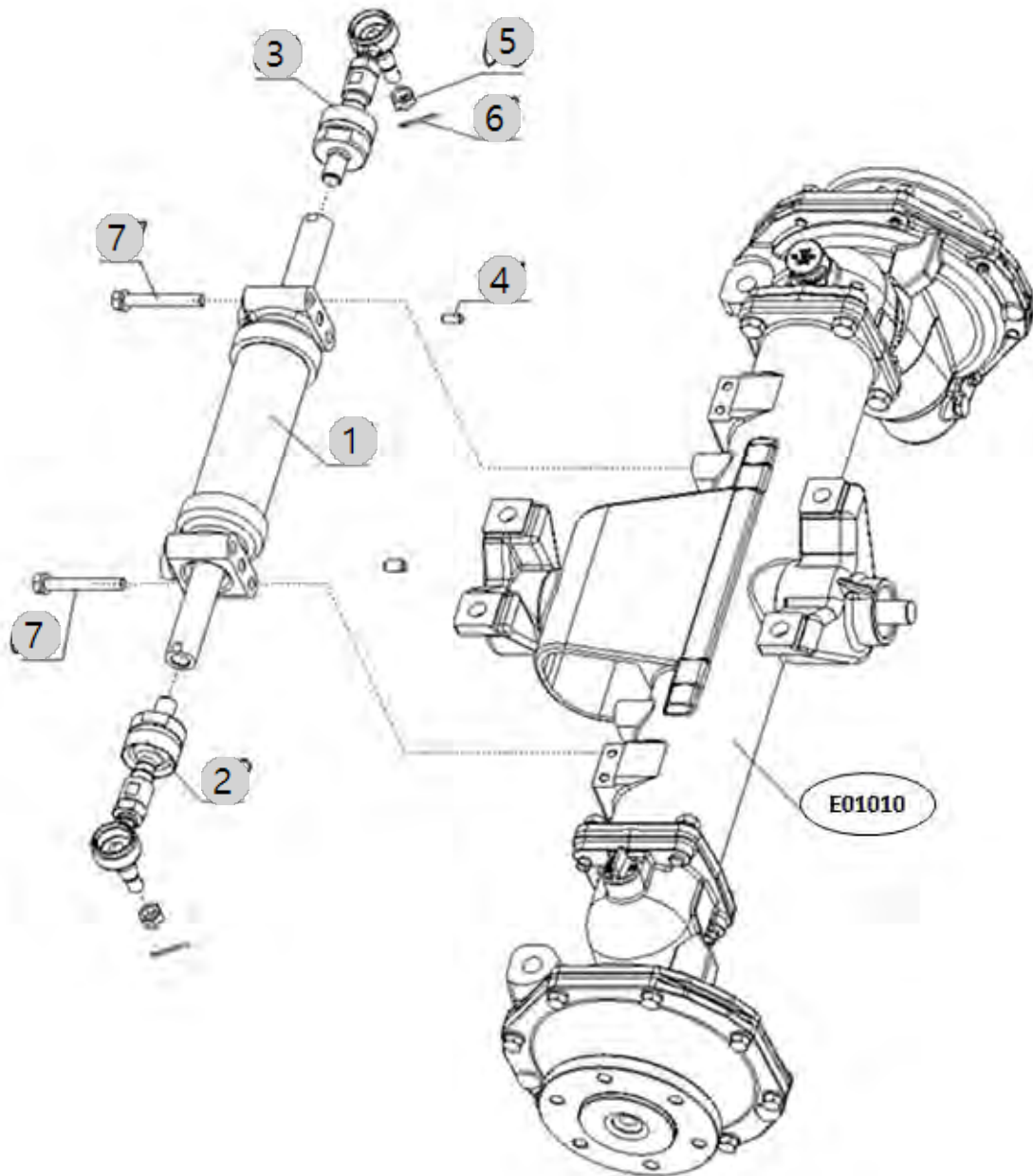
E01080

2500H_EU_FL
(AC02160)

TIE ROD

Year/Month

2023-01-17



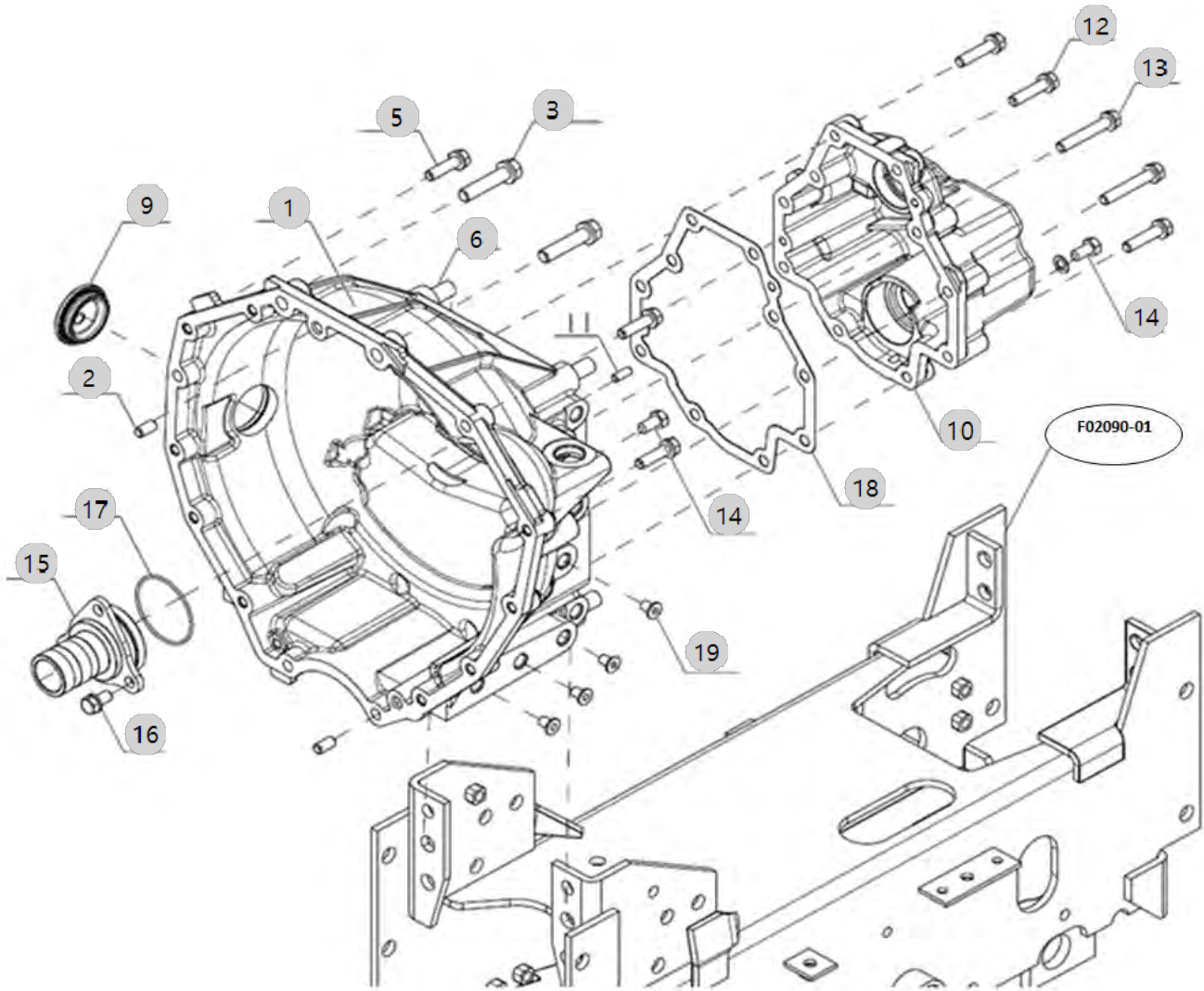
F01010

2500 HST TM
(AC02172)

CLUTCH HOUSING

Year/Month

2023-01-17



F01010 2500 HST TM (AC02172)		CLUTCH HOUSING				Year/Month
						2023-01-17
순번 (NO)	부품번호 (PART NO)	품 명 (PART NAME)	품 명 (PART NAME)	수량 (QTY)	규격 (SPEC)	비고 (REMARK)
1	FE24010000B	클러치 하우징	Housing, Clutch	1		
2	22312-080140	평행핀	PIN, DOWEL (8-14)	2	D8X14	
3	26013-100452	와셔조립육각볼트	HEX BOLT W/WASHER	2	M10X1.5X45	
4	26013-080452	와셔조립육각볼트(+SW)	SCREW,CAPTIVEWASHERCAP	2	M8XP1.25X45	
5	26013-080302	와셔조립육각볼트(+SW)	HEX BOLT W/WASHER	11	M8XP1.25X30	
6	26216-120252	심음볼트	STUD BOLT	4	12X25	
8	23414-080000	320,ALL,패킹8	WASHER, PLAIN (Φ8)	1	M8	
9	FE24100000A	실캡40/48x11(갓 있음)	CAP,SEAL	1	40/48X11	
10	FE24110000C	클러치하우징 커버	COVER CLUTCH_HOUSING	1		
11	22312-060140	PARALLEL PIN 6X14	PIN, DOWEL (6-14)	2	D6X14	
12	26013-080352	와셔조립육각볼트(+SW)	SCREW,CAPTIVEWASHERCAP	4	M08X1.25X03	
13	26013-080502	와셔조립육각볼트(+SW)	Bolt, Hexa (8-50)	6	M8XP1.25X05	
14	26116-080162	육각볼트	SCREW,HEXAGONHEADCAP	2	M8X1.25X16	
15	FE24170000A	베어링 케이스	Case, Bearing	1		
16	26013-080162	와셔조립육각볼트(+SW)	Bolt, Hexa (8-16)	3	M8XP1.25X16	
17	24341-000530	고정용S형O링	O-RING, FIX (Φ53)	1		
18	FE24200000A	클러치하우징 패킹	PACKING,CLUTCH HOUSING	1	T0.5	
19	TB26070000A4	플러그11	PLUG11	8		

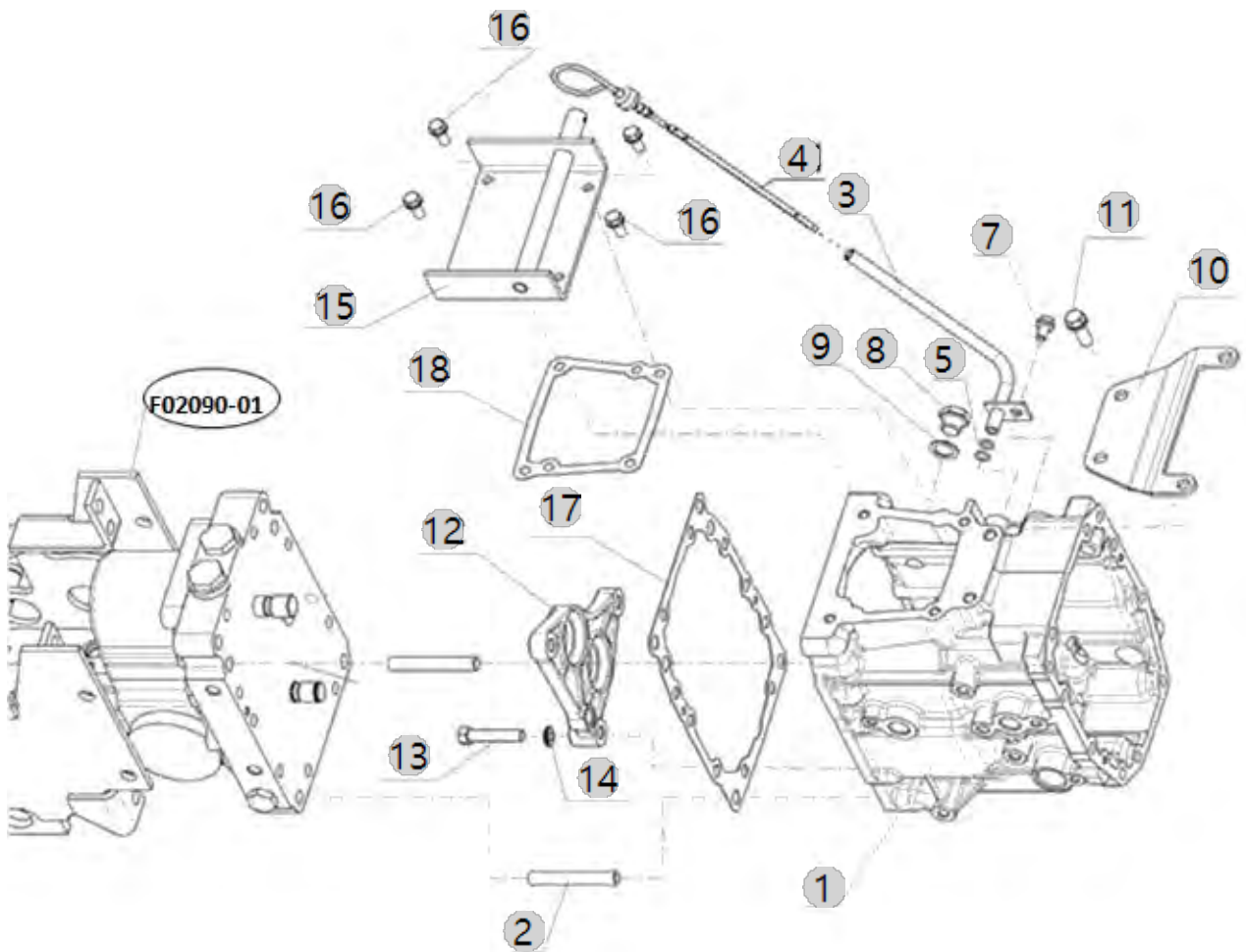
F01020H-A

2500 HST TM
(AC02172)

TRANSMISSION CASE

Year/Month

2023-01-17



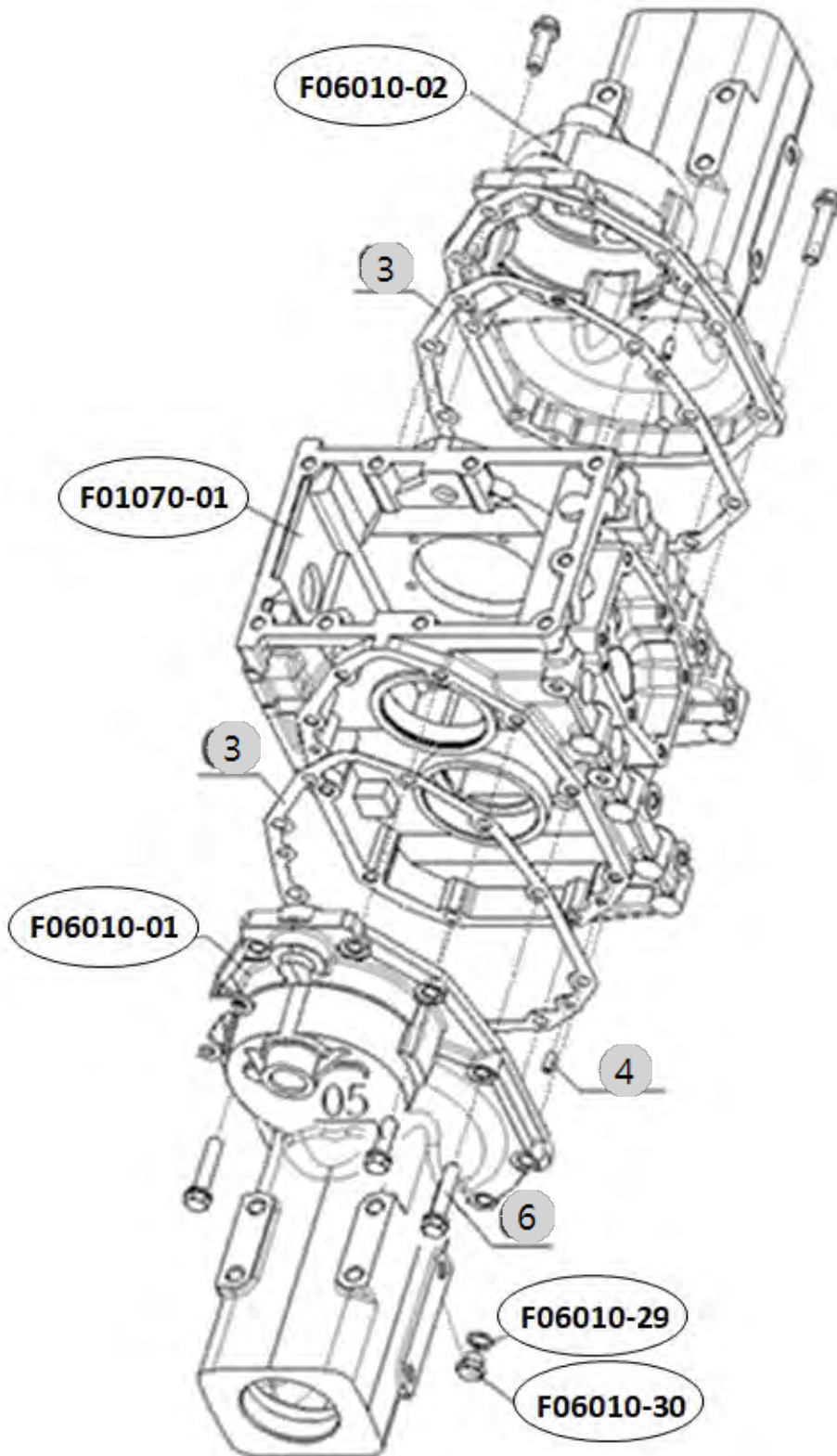
F01040

2500 HST TM
(AC02172)

REAR AXEL CASE

Year/Month

2023-01-17



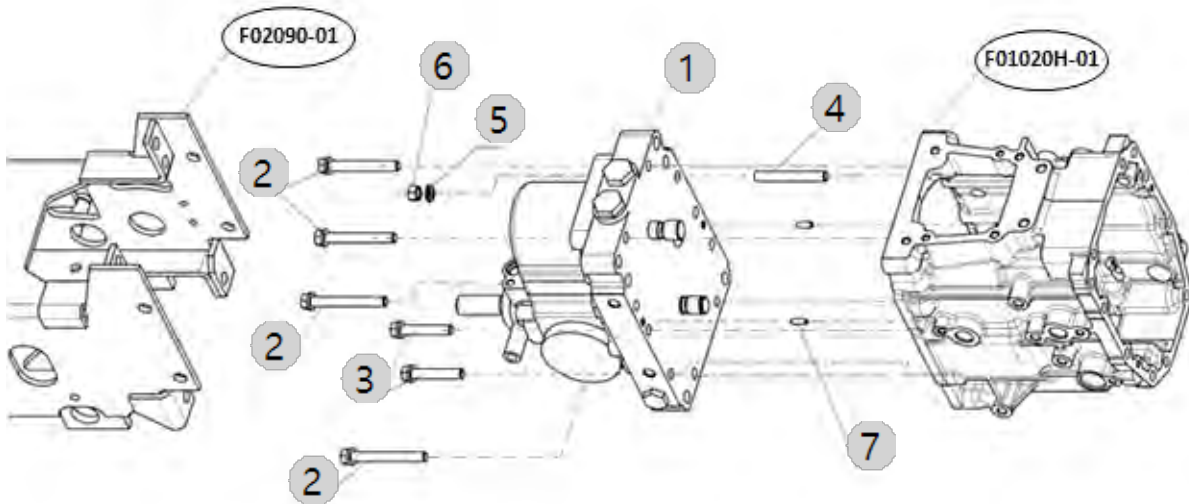
F01050

2500 HST TM
(AC02172)

HYD TRANSMISSION HOUSING

Year/Month

2023-01-17



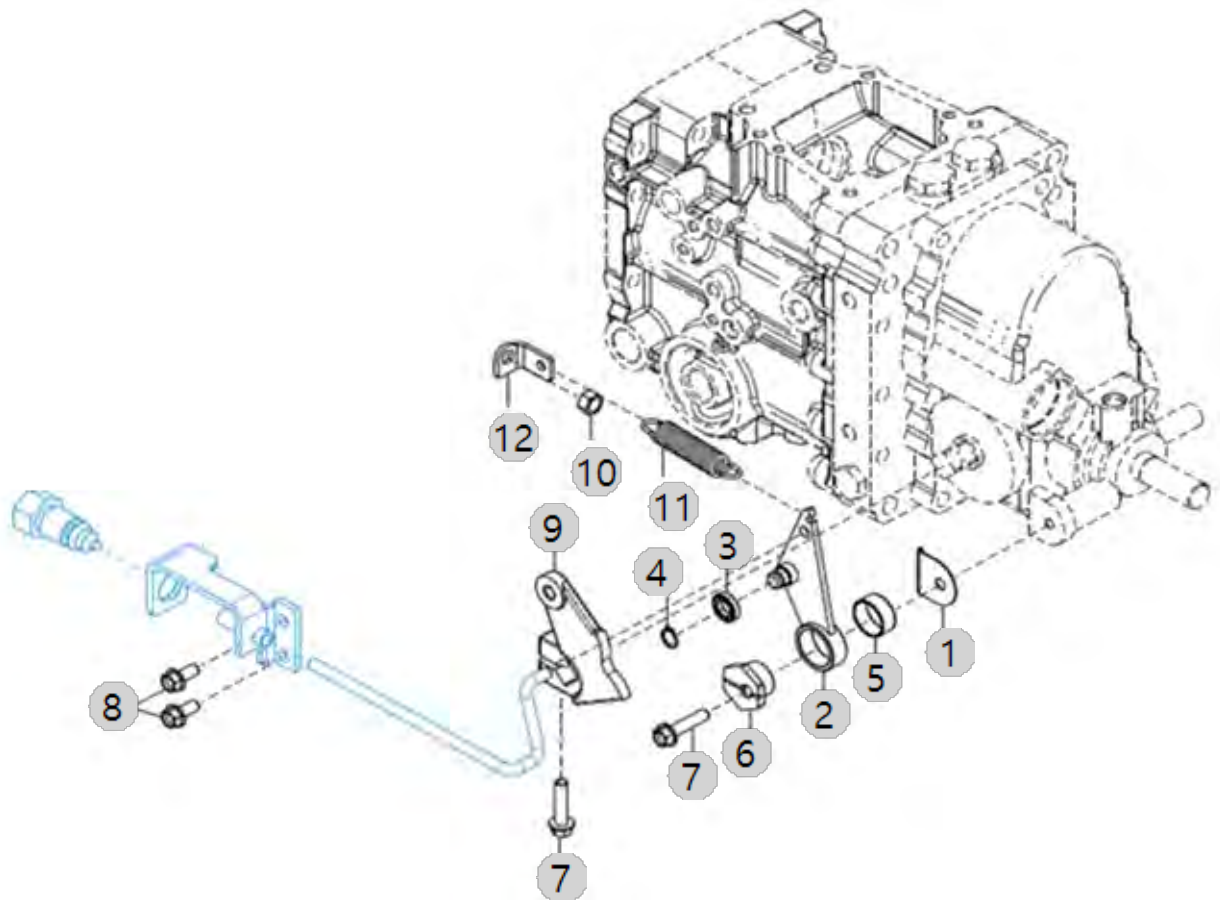
F01051

2500 HST TM
(AC02172)

NEUTRE HOLDER LINK

Year/Month

2023-01-17



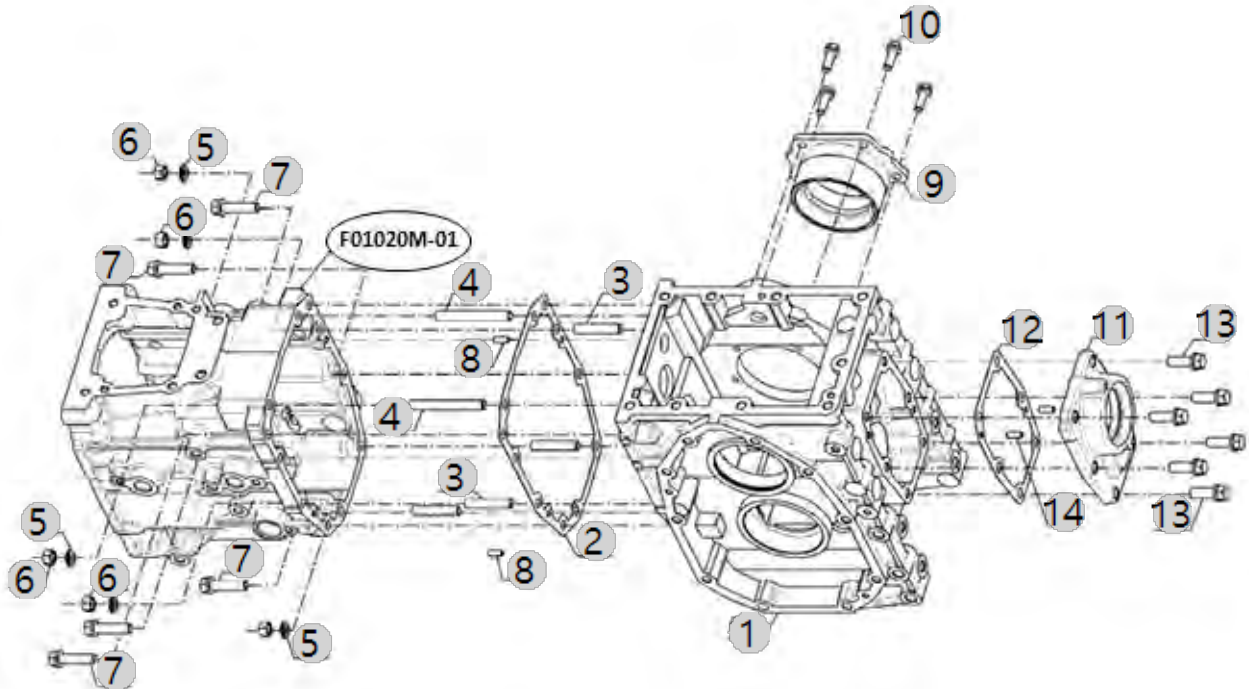
F01070

2500 HST TM
(AC02172)

DIFFERENTIAL GEAR CASE

Year/Month

2023-01-17



F01070 2500 HST TM (AC02172)	DIFFERENTIAL GEAR CASE	Year/Month
		2023-01-17

순번 (NO)	부품번호 (PART NO)	품명 (PART NAME)	품명 (PART NAME)	수량 (QTY)	규격 (SPEC)	비고 (REMARK)
1	FE29010000F	차동기어케이스	CASE, DIFF. GEAR	1		
2	FE29020000A	차동기어케이스 패킹	PACKING, CASE.DIFF.GEAR	1	T0.5	
3	26216-100352	심음볼트	BOLT	4		
4	26216-100652	심음볼트	STUD,BOLT	2	10X65	
5	22217-100000	스프링와셔	WASHER, SPRING (Φ 10)	6	M10	
6	26716-100002	육각너트	Nut, Hexa (Φ10)	6	M10XP1.5	
7	26013-100402	와셔조립육각볼트	Bolt, Hexa (10-40)	5		
8	22312-060140	PARALLEL PIN 6X14	PIN, DOWEL (6-14)	2	D6X14	
9	FE29080000A	차동연결홀더(우)	HOLDER	1	-	
10	26013-080252	와셔조립육각볼트(+SW)	Bolt, Hexa (8-25)	4	M8XP1.25X25	
11	FE29100000A	후커버	COVER,REAR	1	-	
12	FE29110000A	후커버 패킹	PACKING,REAR COVER	1	T0.5	
13	26013-100302	와셔조립육각볼트(+SW)	SCREW,CAPTIVEWASHERCAP	6	M10XP1.5X30	
14	22312-060140	PARALLEL PIN 6X14	PIN, DOWEL (6-14)	2	D6X14	

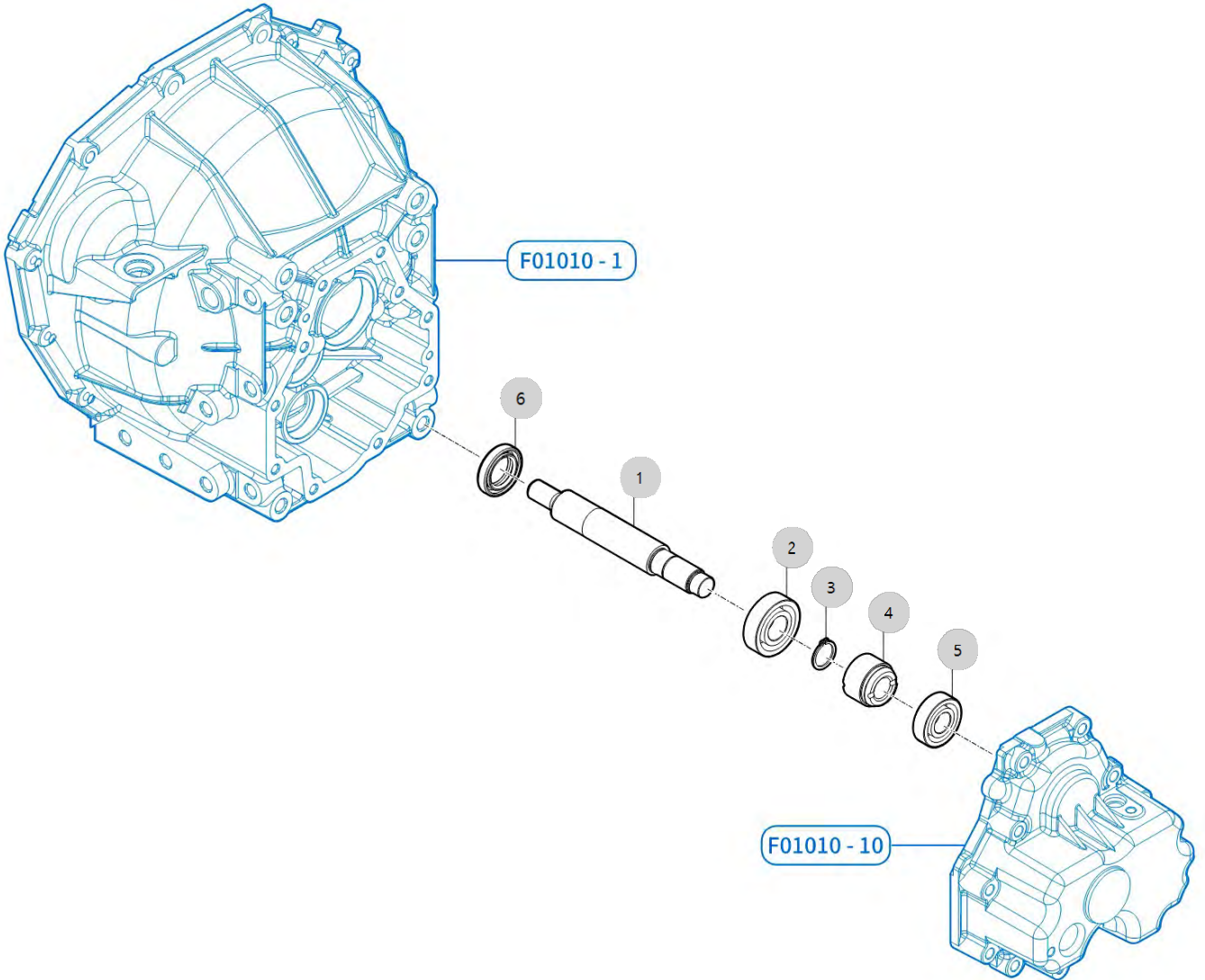
F02020

2500 HST TM
(AC02172)

CLUTCH SHAFT

Year/Month

2023-01-17



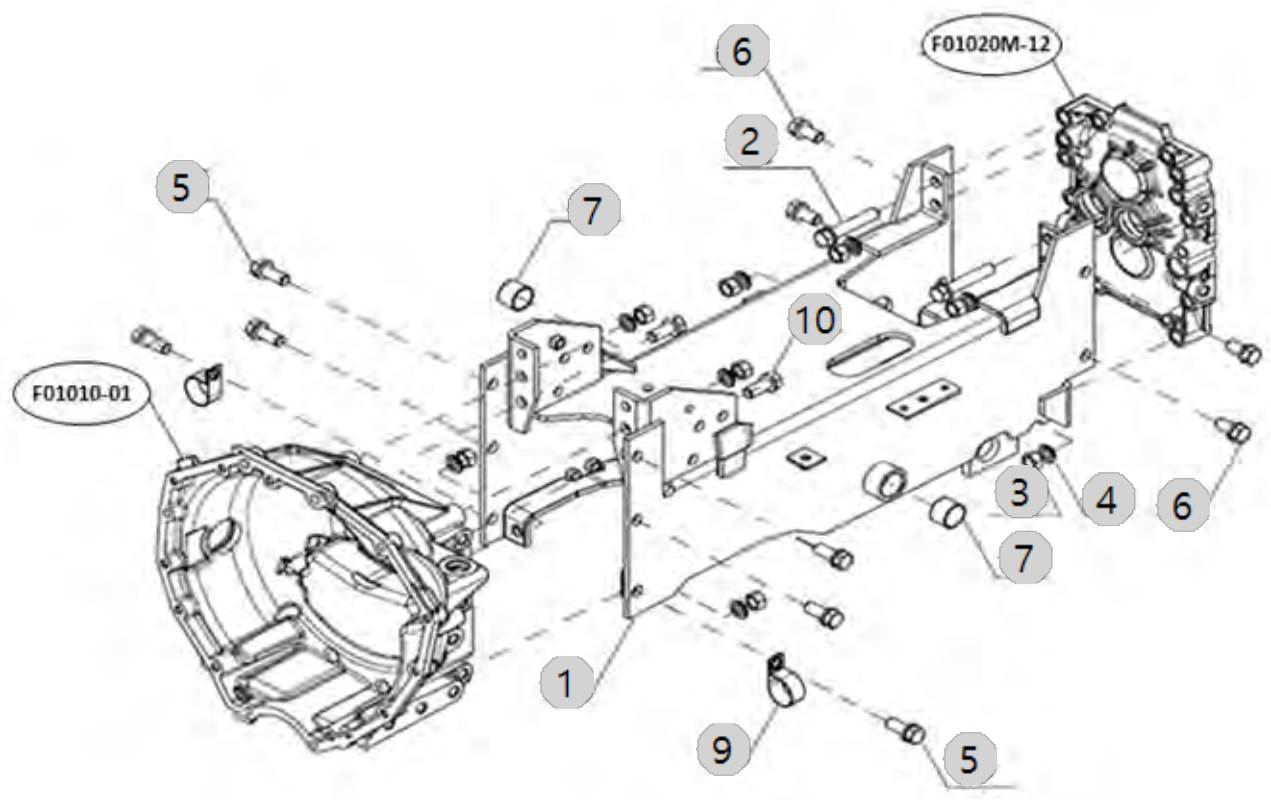
F02090

2500 HST TM
(AC02172)

CENTER FRAME

Year/Month

2023-01-17



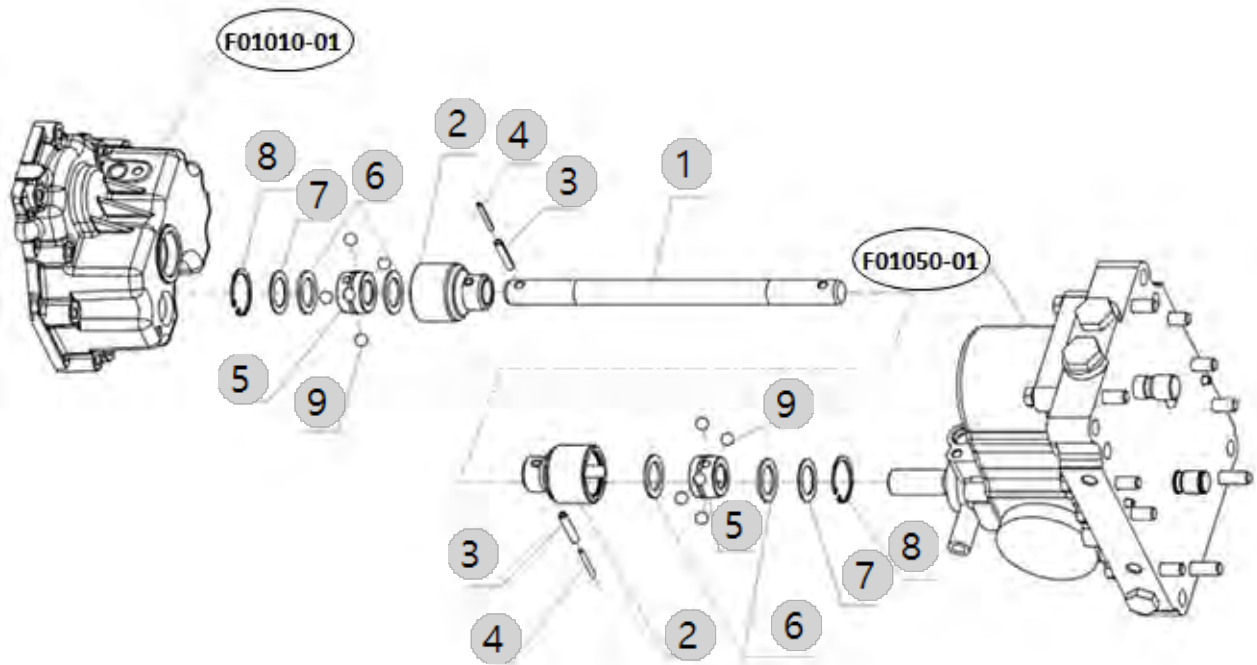
F02110H

2500 HST TM
(AC02172)

PROPELLER SHAFT

Year/Month

2023-01-17



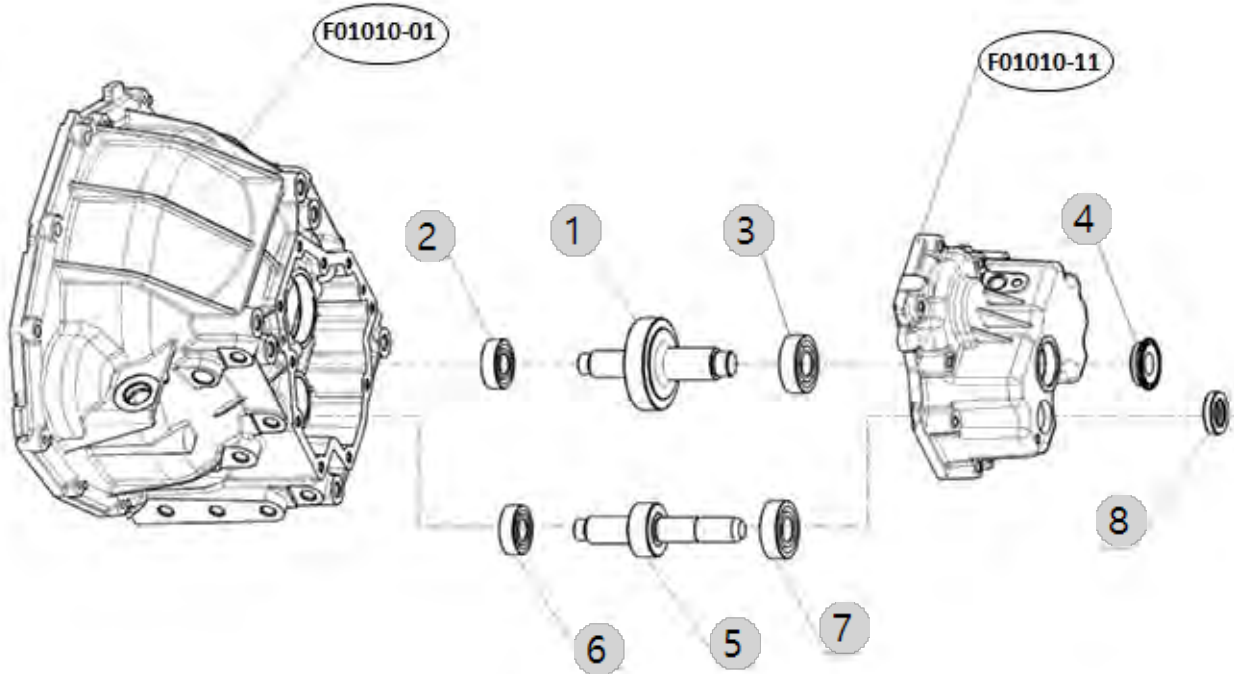
F02120H

2500 HST TM
(AC02172)

FRONT SHAFT

Year/Month

2023-01-17



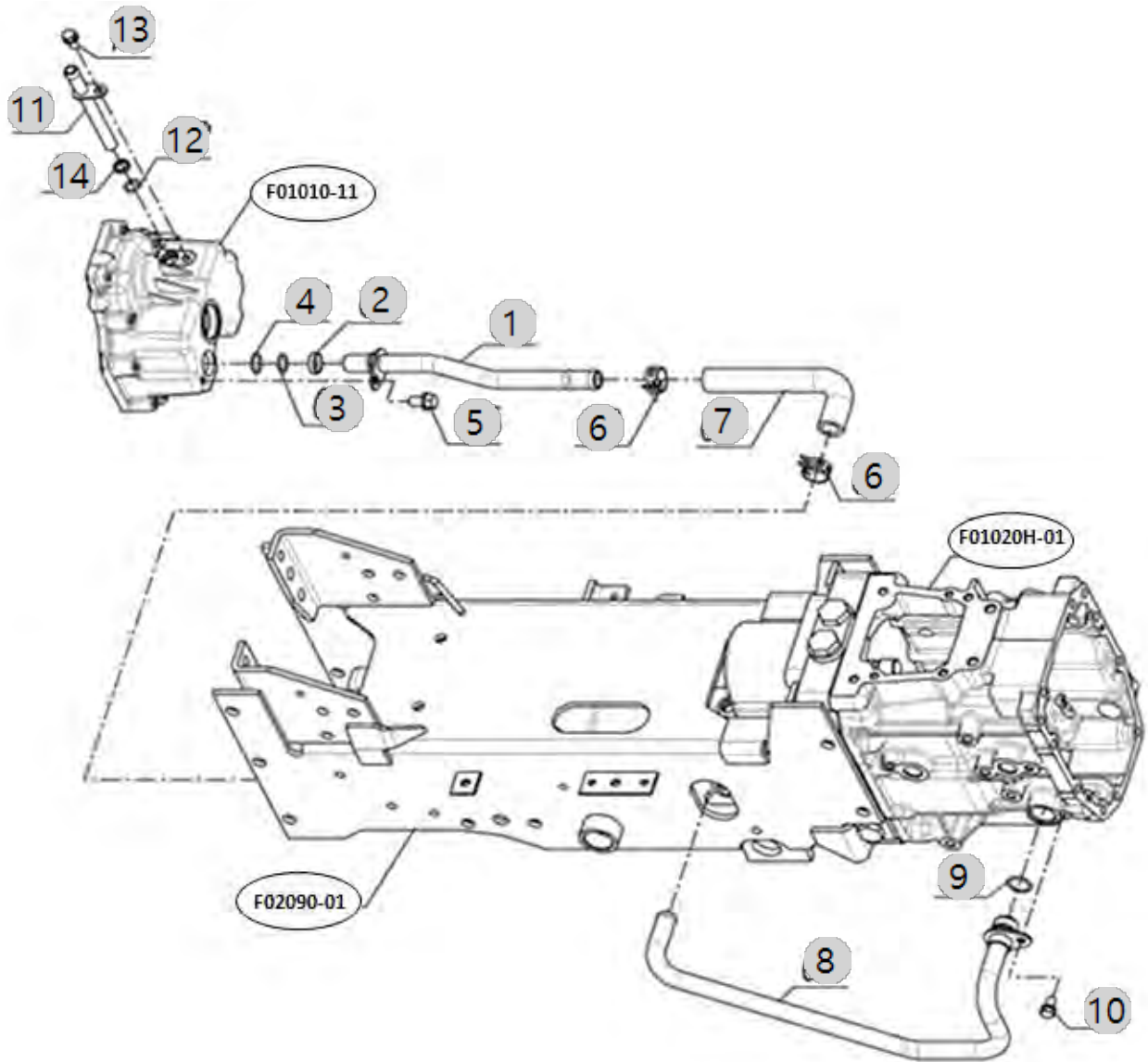
F02130H

2500 HST TM
(AC02172)

HYDRAULIC OIL LINE, CLUTCH

Year/Month

2023-01-17



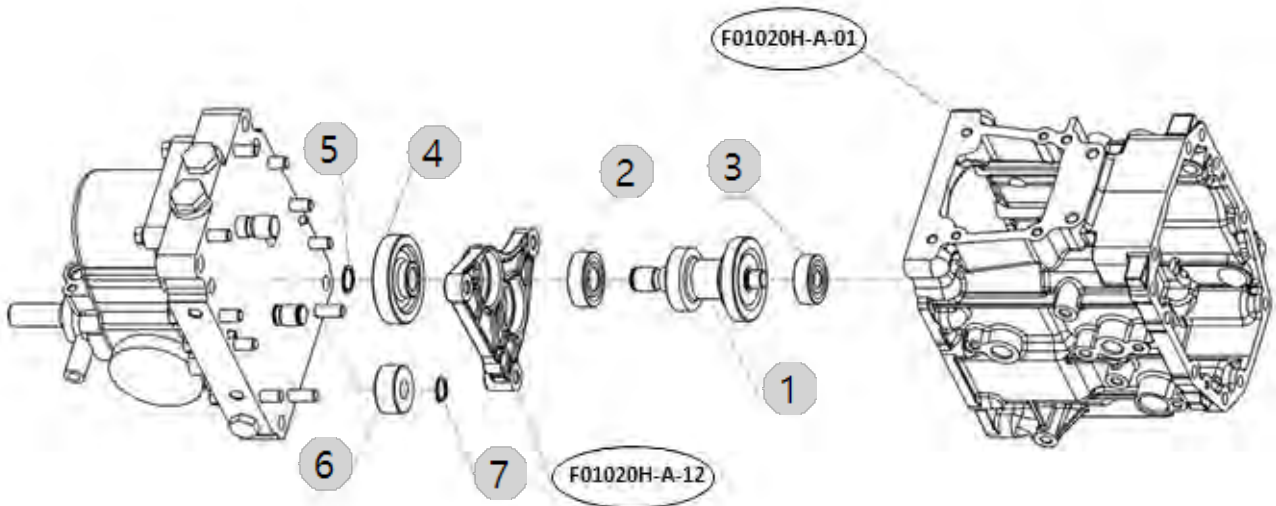
F03010H

2500 HST TM
(AC02172)

MAIN SHIFT DRIVE SHAFT

Year/Month

2023-01-17



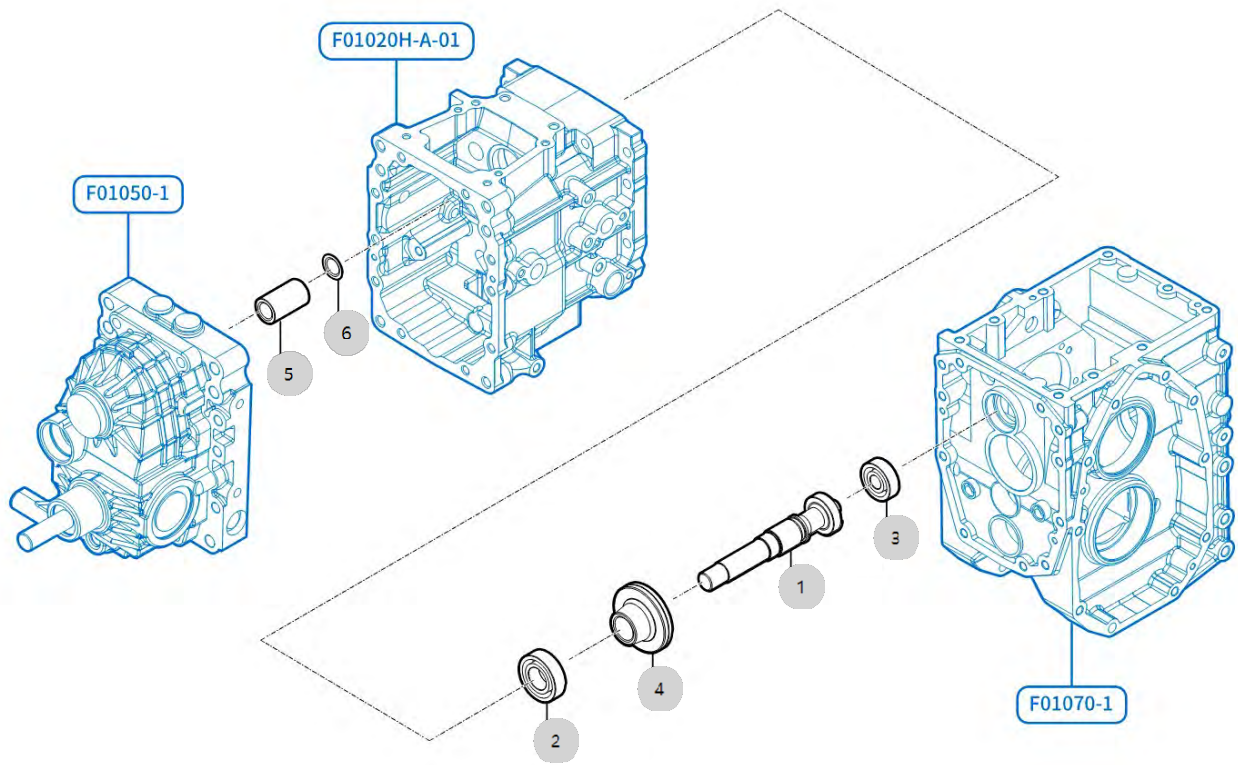
F03040H

2500 HST TM
(AC02172)

RANGE SHIFT DRIVE SHAFT

Year/Month

2023-01-17



F03040H 2500 HST TM (AC02172)	RANGE SHIFT DRIVE SHAFT				Year/Month
					2023-01-17

순번 (NO)	부품번호 (PART NO)	품명 (PART NAME)	품명 (PART NAME)	수량 (QTY)	규격 (SPEC)	비고 (REMARK)
1	TA00002955A	기어축(14T)	GEAR-SHAFT	1		
2	TA00059193A	볼베어링(6205)	BALL BEARING	1		
3	RA00020121A	6302 OP	BALL BEARING 6302	1		
4	TA00031462A	기어(20T)(HST)	GEAR	1	-	
5	TA00002852A	커플링	COUPLING	1		
6	22252-000180	구멍용스냅링	RING, CIRCLIP (Φ 18)	1	D18	

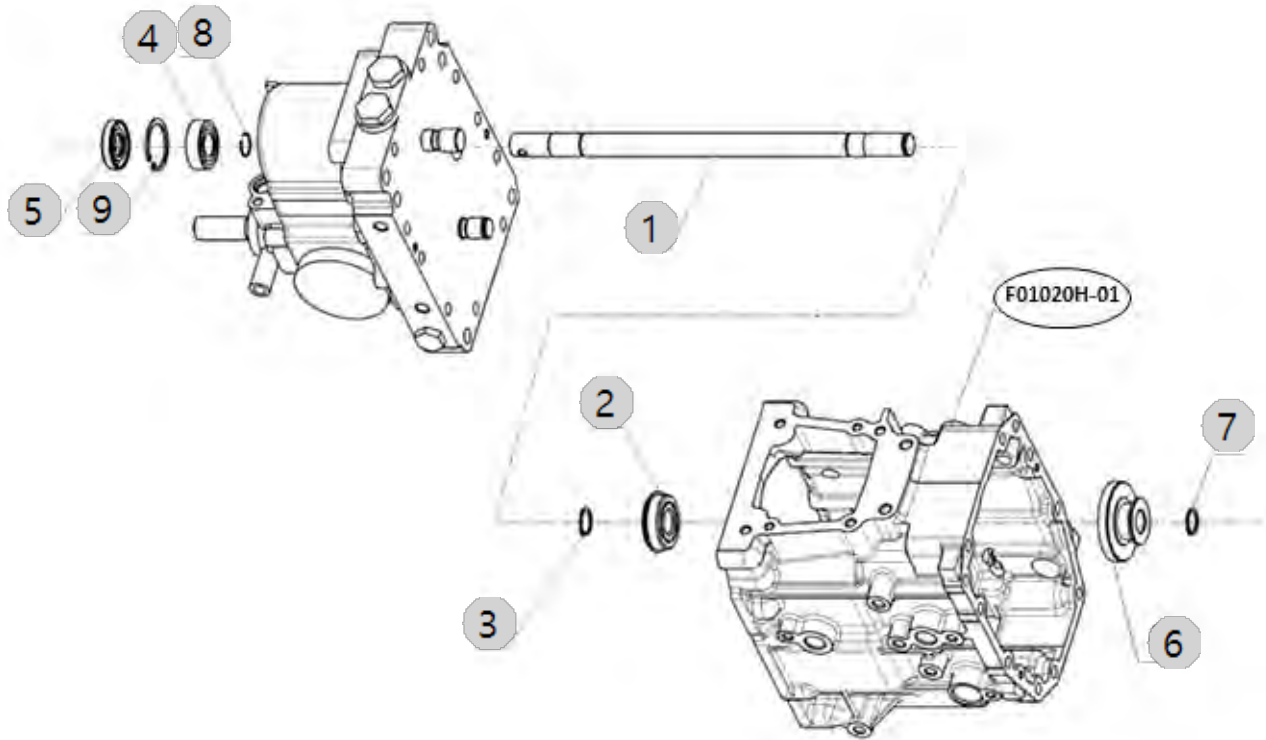
F04010H

2500 HST TM
(AC02172)

FRONT WHEEL DRIVE SHAFT

Year/Month

2023-01-17



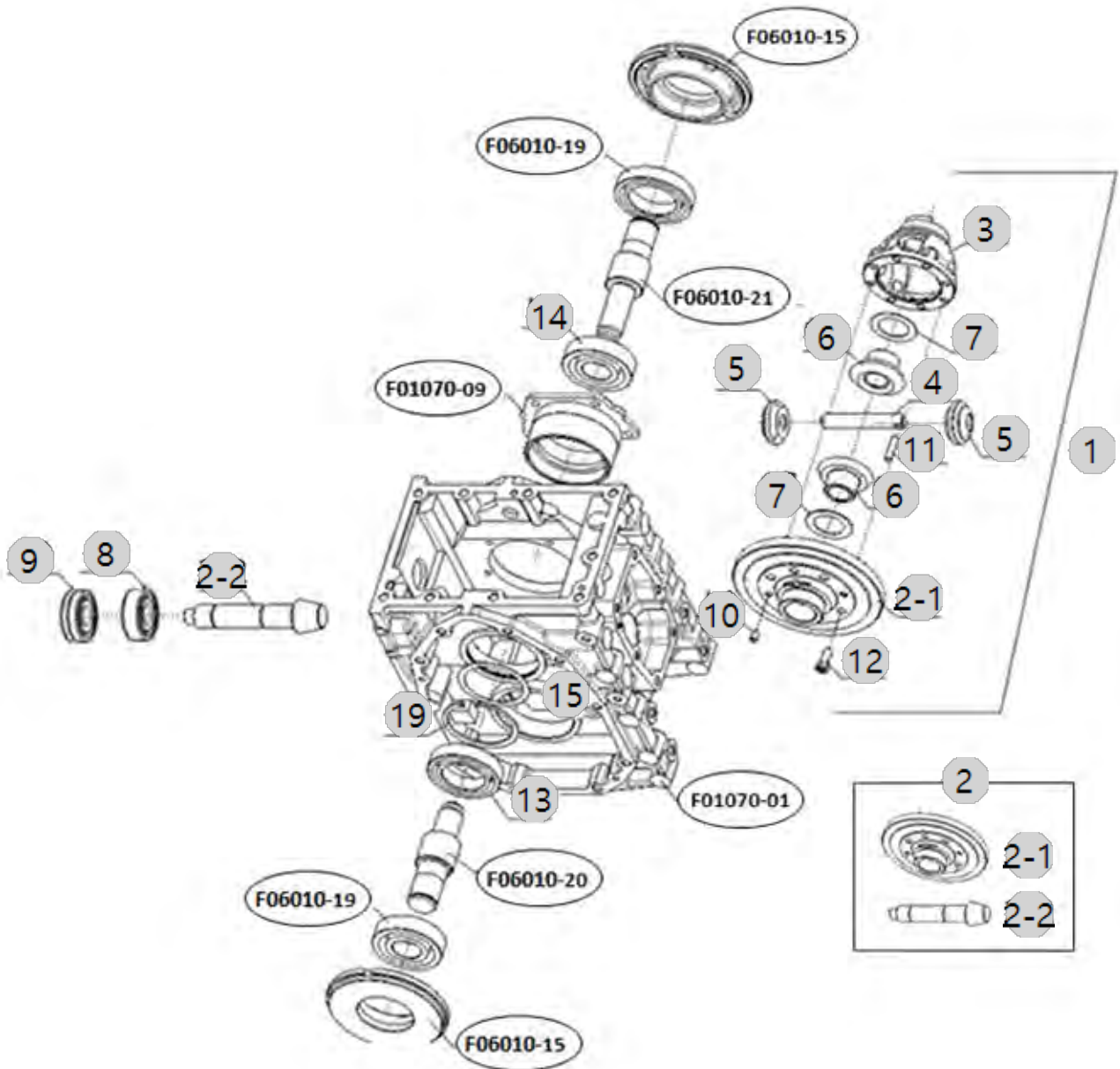
F05020

2500 HST TM
(AC02172)

REARR DIFFERENTIAL

Year/Month

2023-01-17



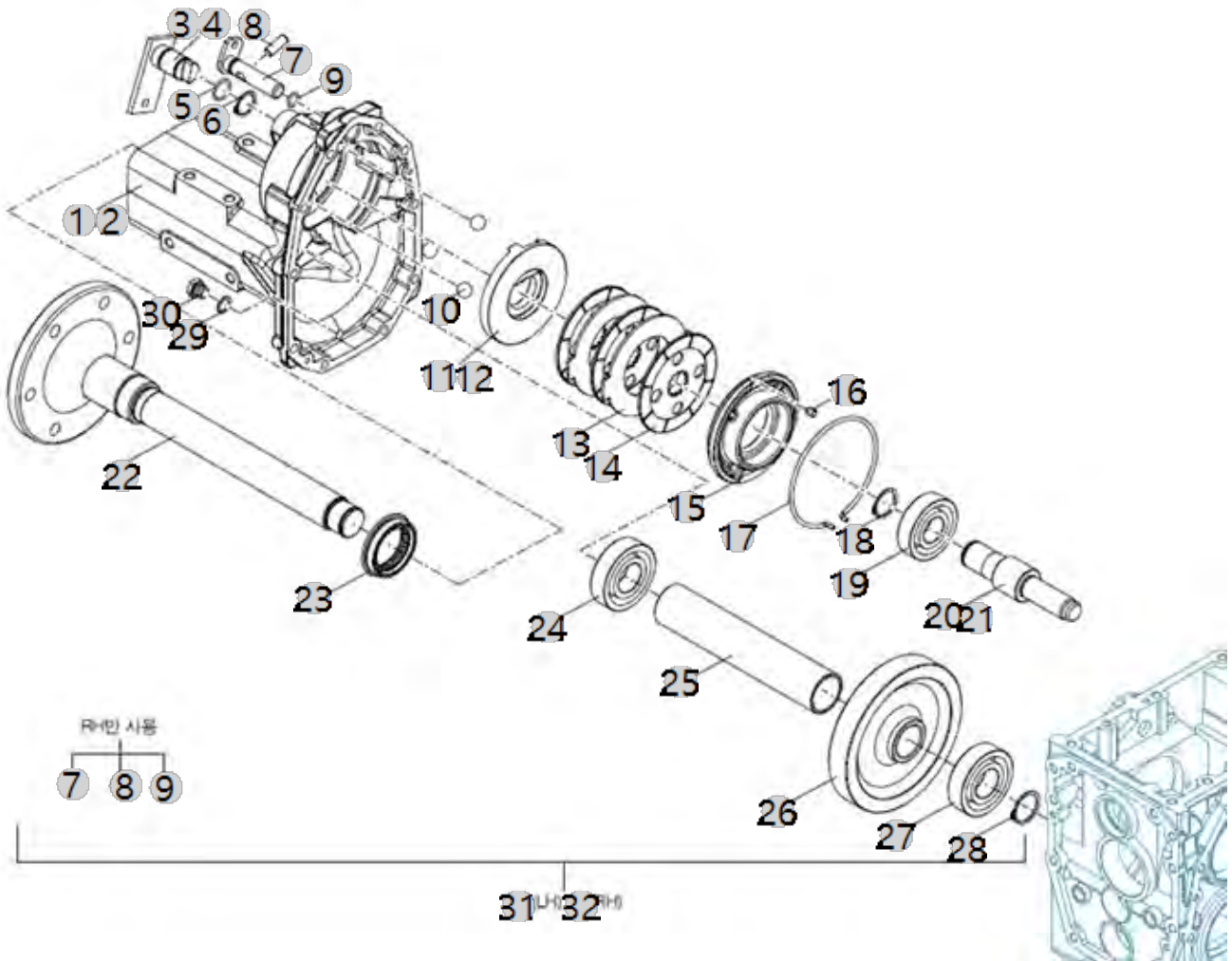
F06010

2500 HST TM
(AC02172)

REAR AXLE

Year/Month

2023-01-17



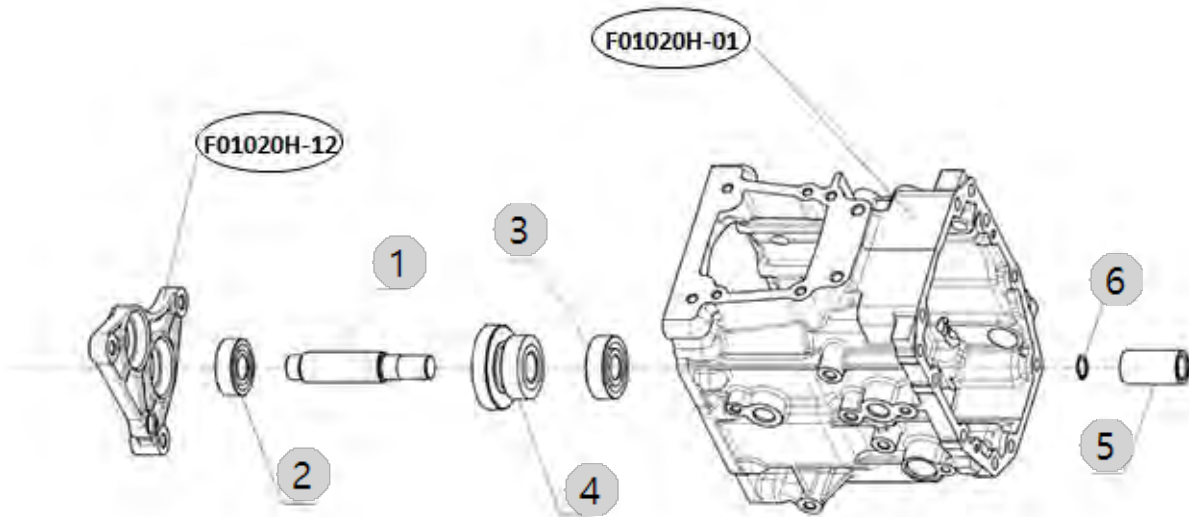
F07030H

2500 HST TM
(AC02172)

PTO DRIVE SHAFT

Year/Month

2023-01-17



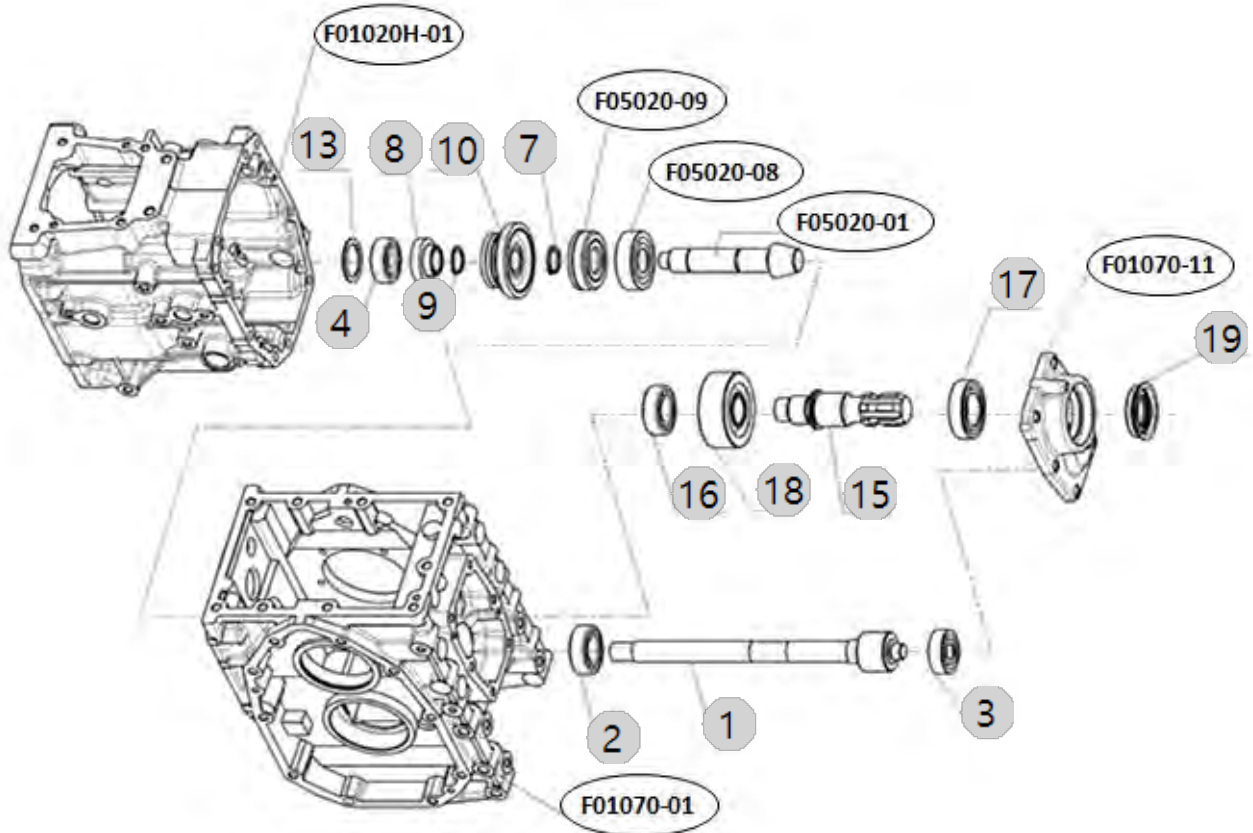
F07070H-A

2500 HST TM
(AC02172)

PTO SHAFT

Year/Month

2023-01-17



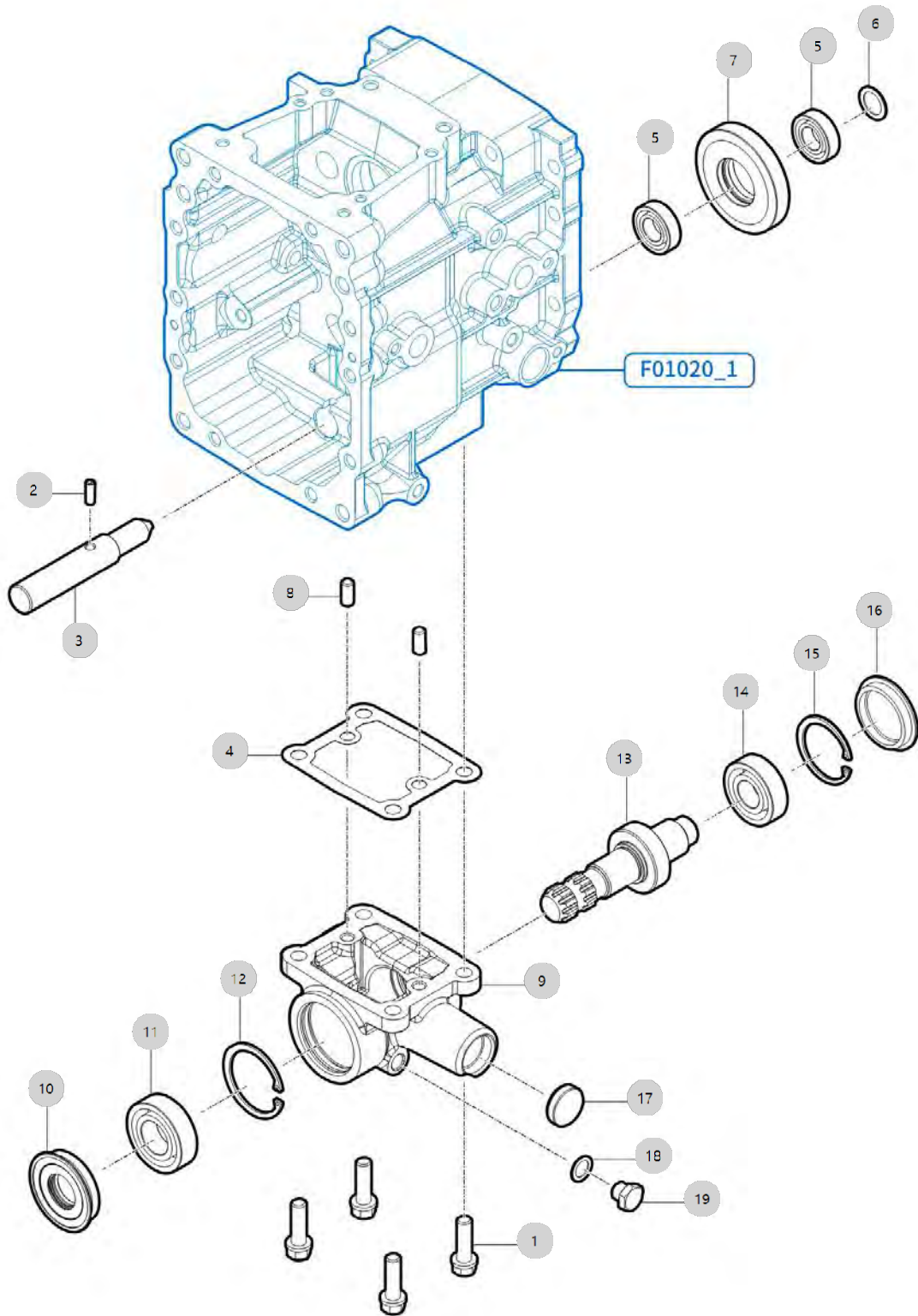
F07080

2500 HST TM
(AC02172)

MID PTO

Year/Month

2023-01-17



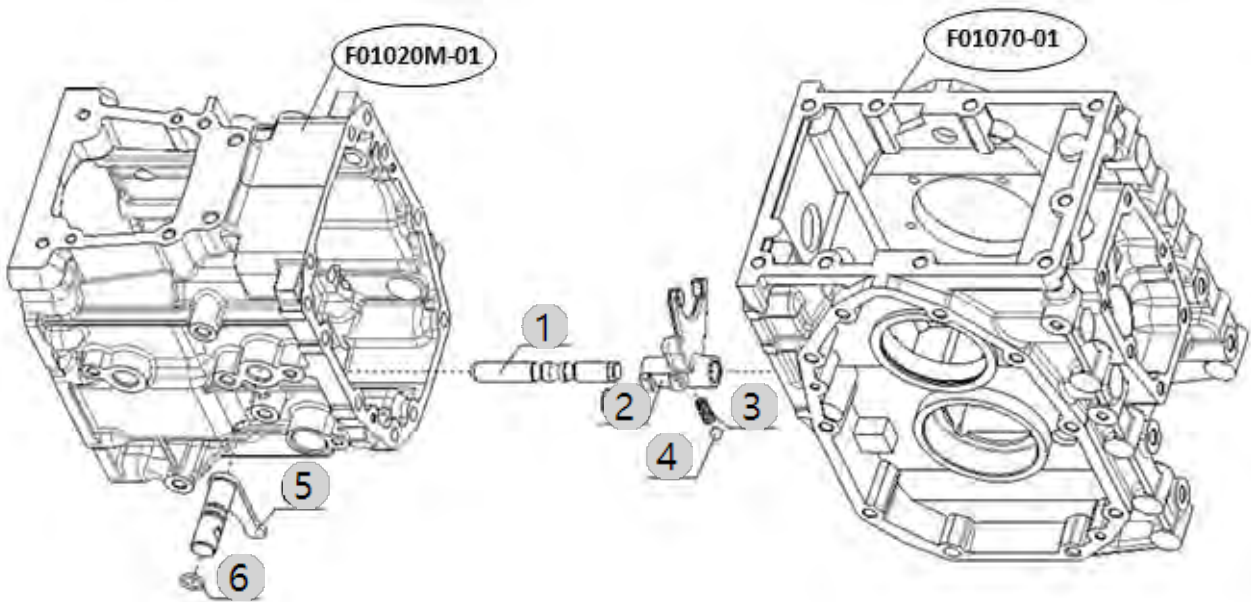
F08022

2500 HST TM
(AC02172)

RANGE SHIFT FORK

Year/Month

2023-01-17



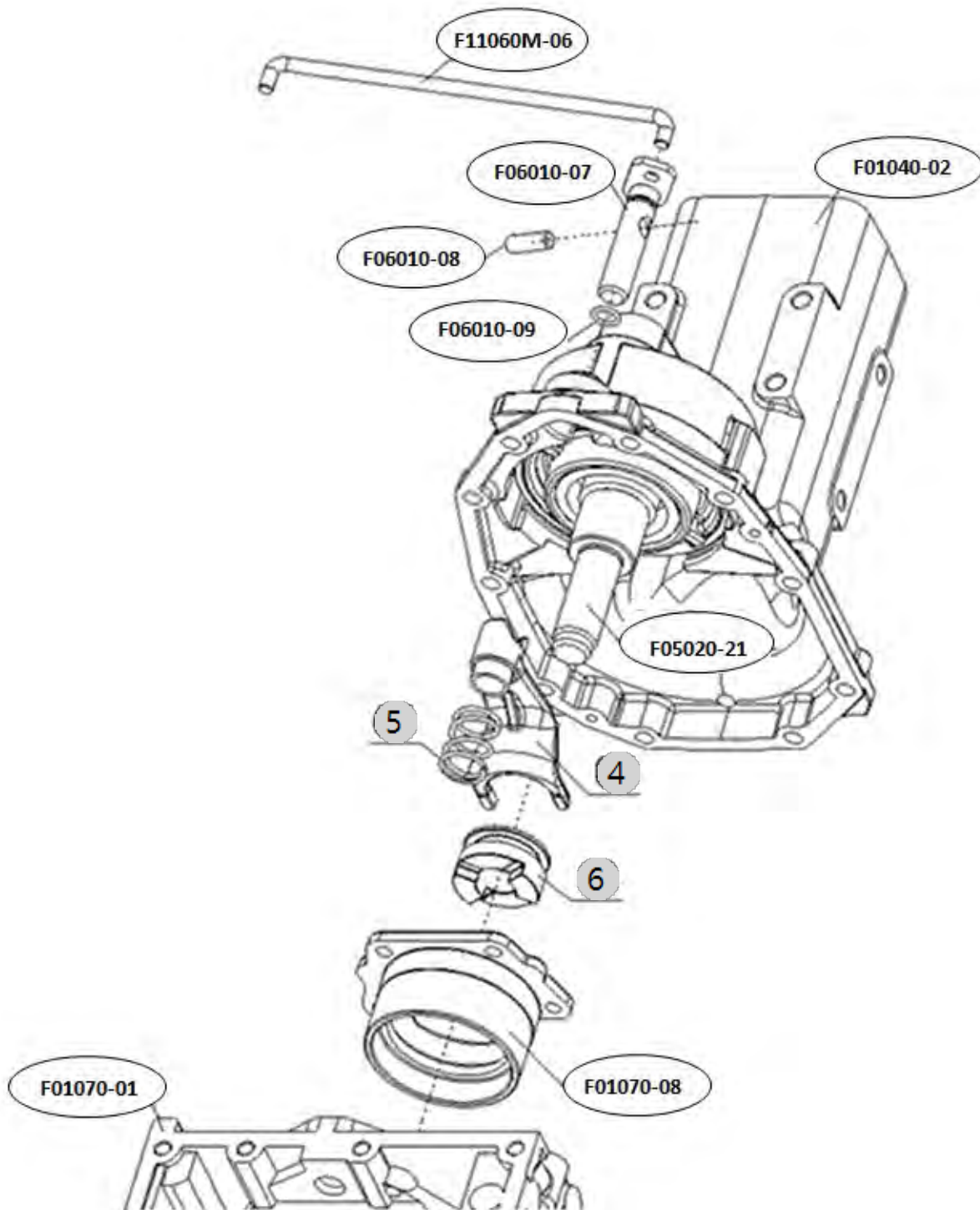
F08050

2500 HST TM
(AC02172)

DIFFERENTIAL LOCK SHIFT FORK

Year/Month

2023-01-17



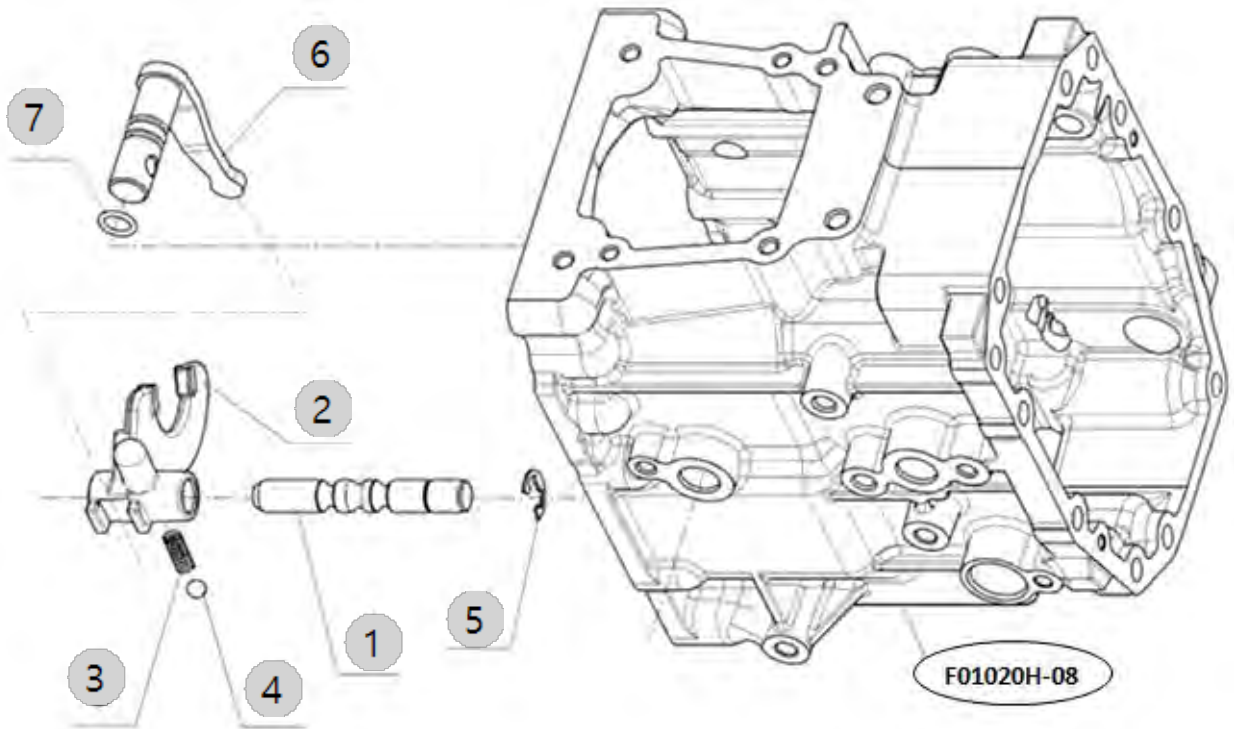
F08060H

2500 HST TM
(AC02172)

PTO FORK

Year/Month

2023-01-17



F10010-B

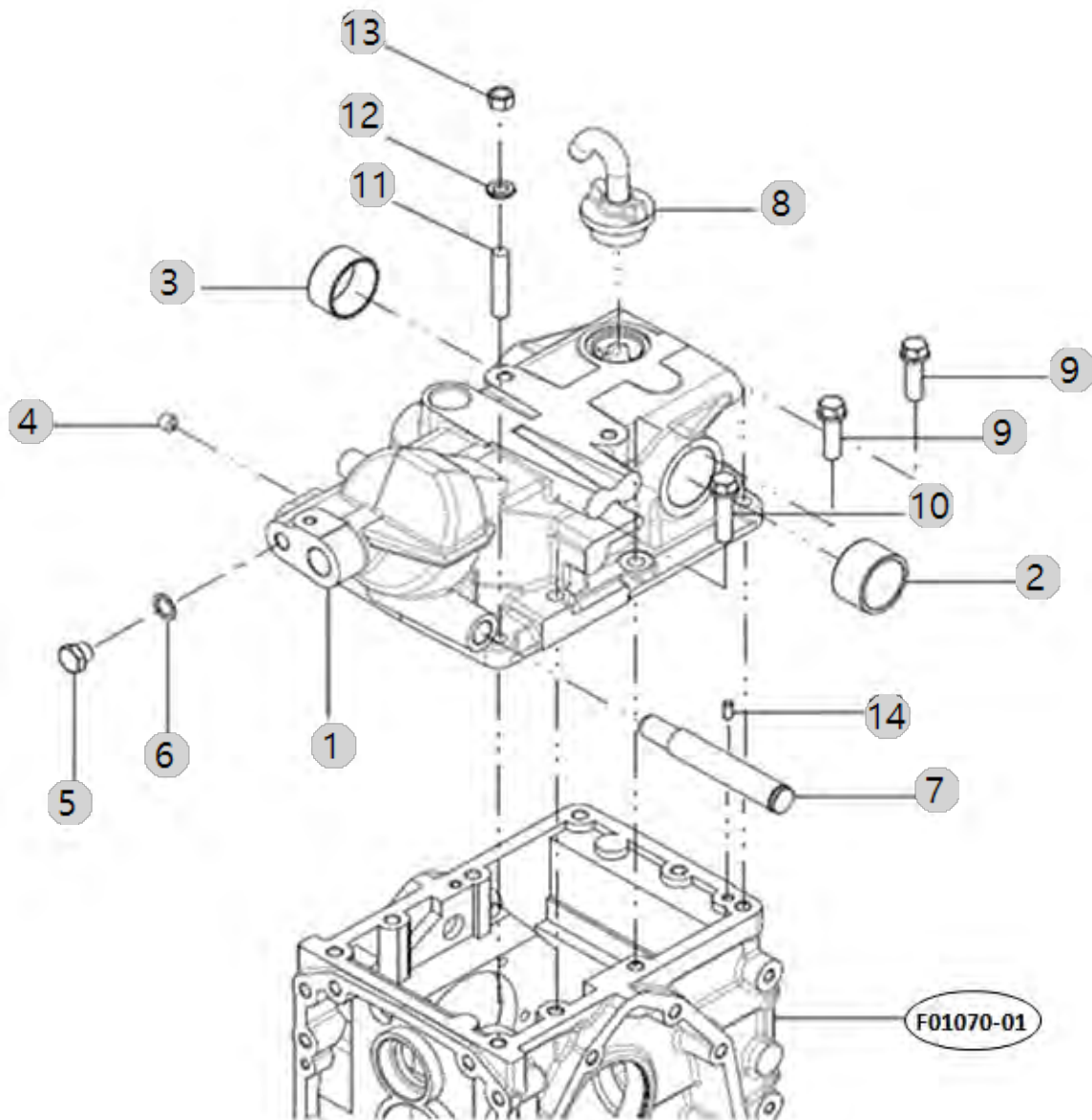
2500 HST TM
(AC02172)

HYD. CYLINDER CASE

Year/Month

2023-01-17

POSITION



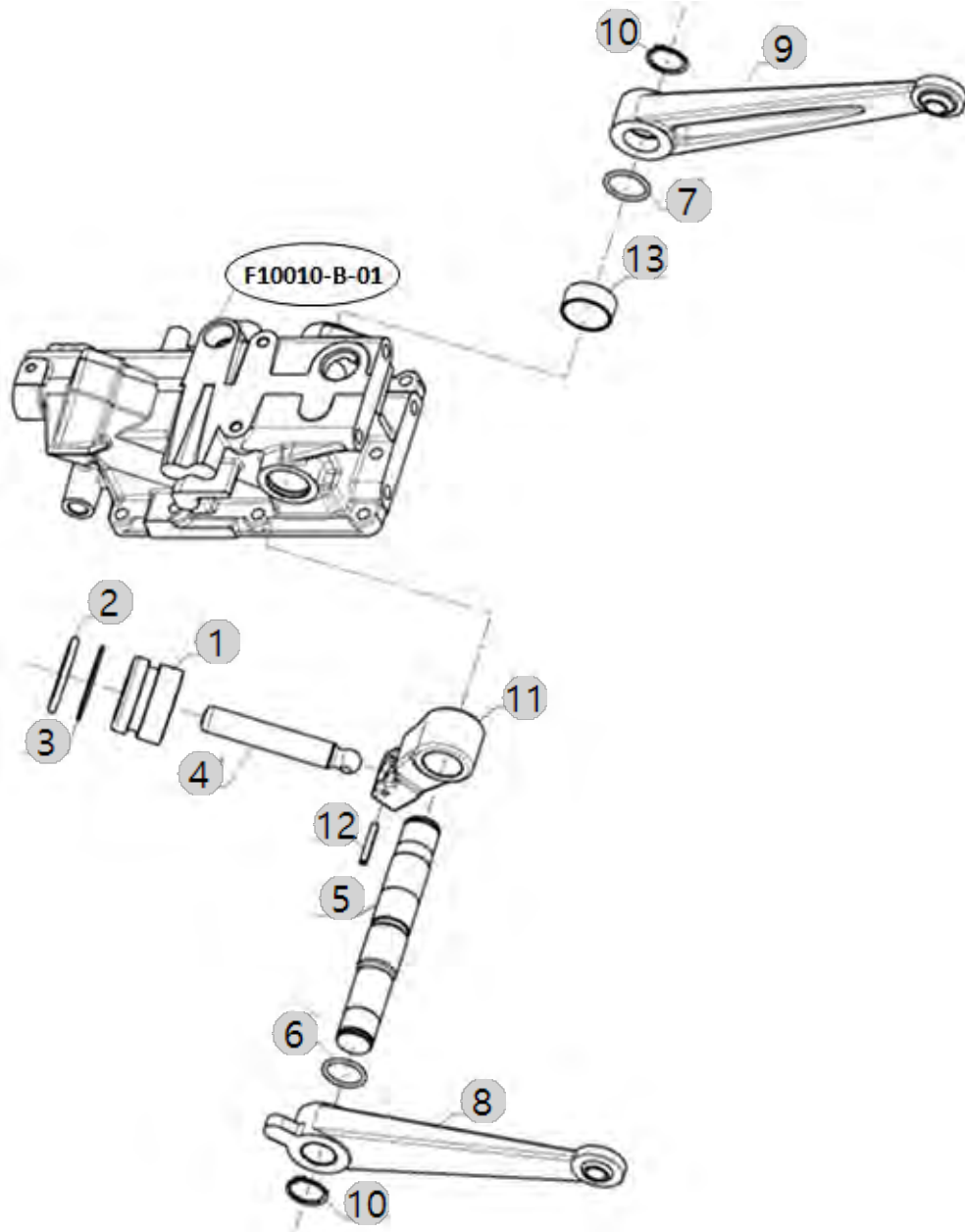
F10020

2500 HST TM
(AC02172)

LIFT ARM

Year/Month

2023-01-17



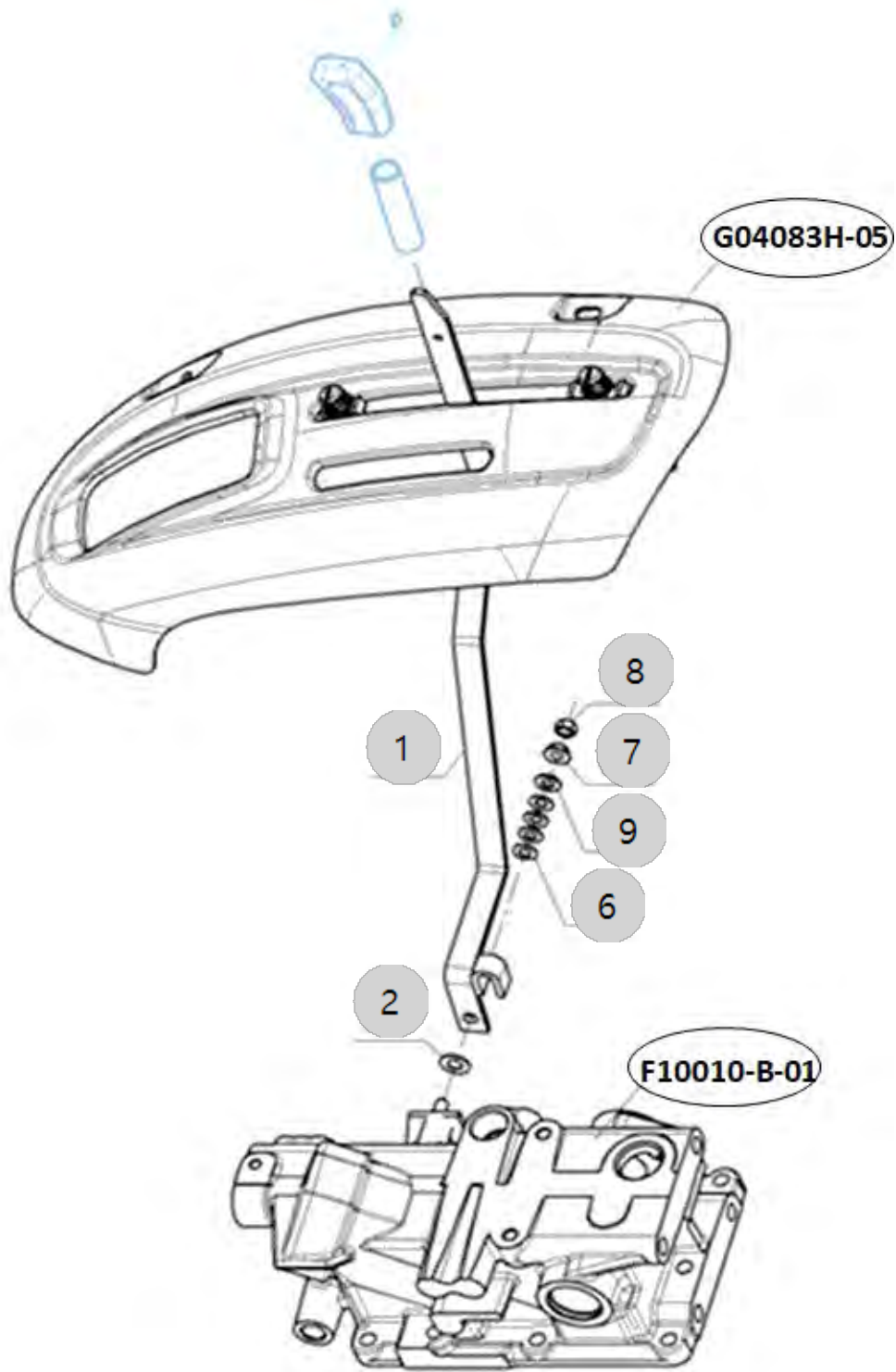
F10064-B

2500 HST TM
(AC02172)

POSITION CONTROL LEVER

Year/Month

2023-01-17



F10070-B

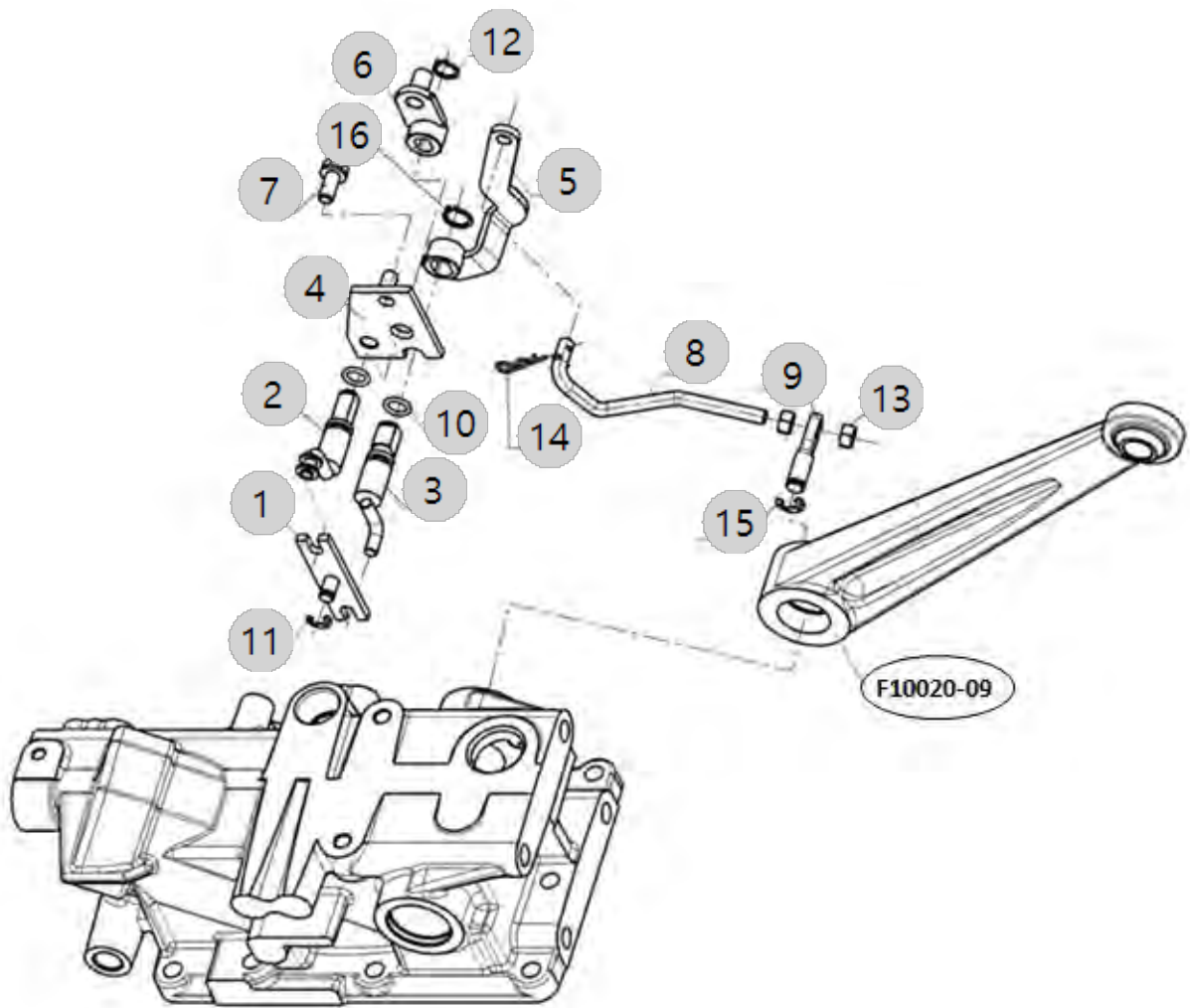
2500 HST TM
(AC02172)

SHAFT, CONTROL LEVER

Year/Month

2023-01-17

POSITION



F10080-B

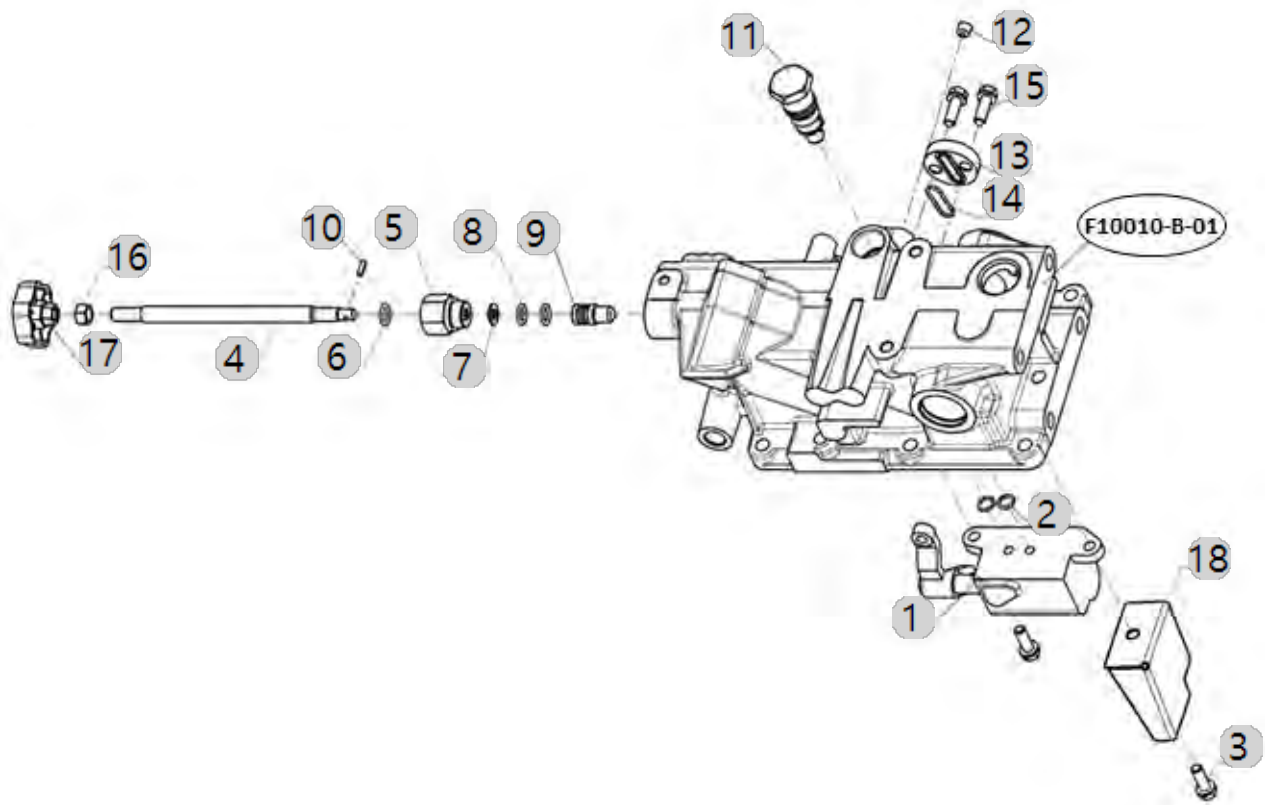
2500 HST TM
(AC02172)

HYD VALVE

Year/Month

2023-01-17

POSITION

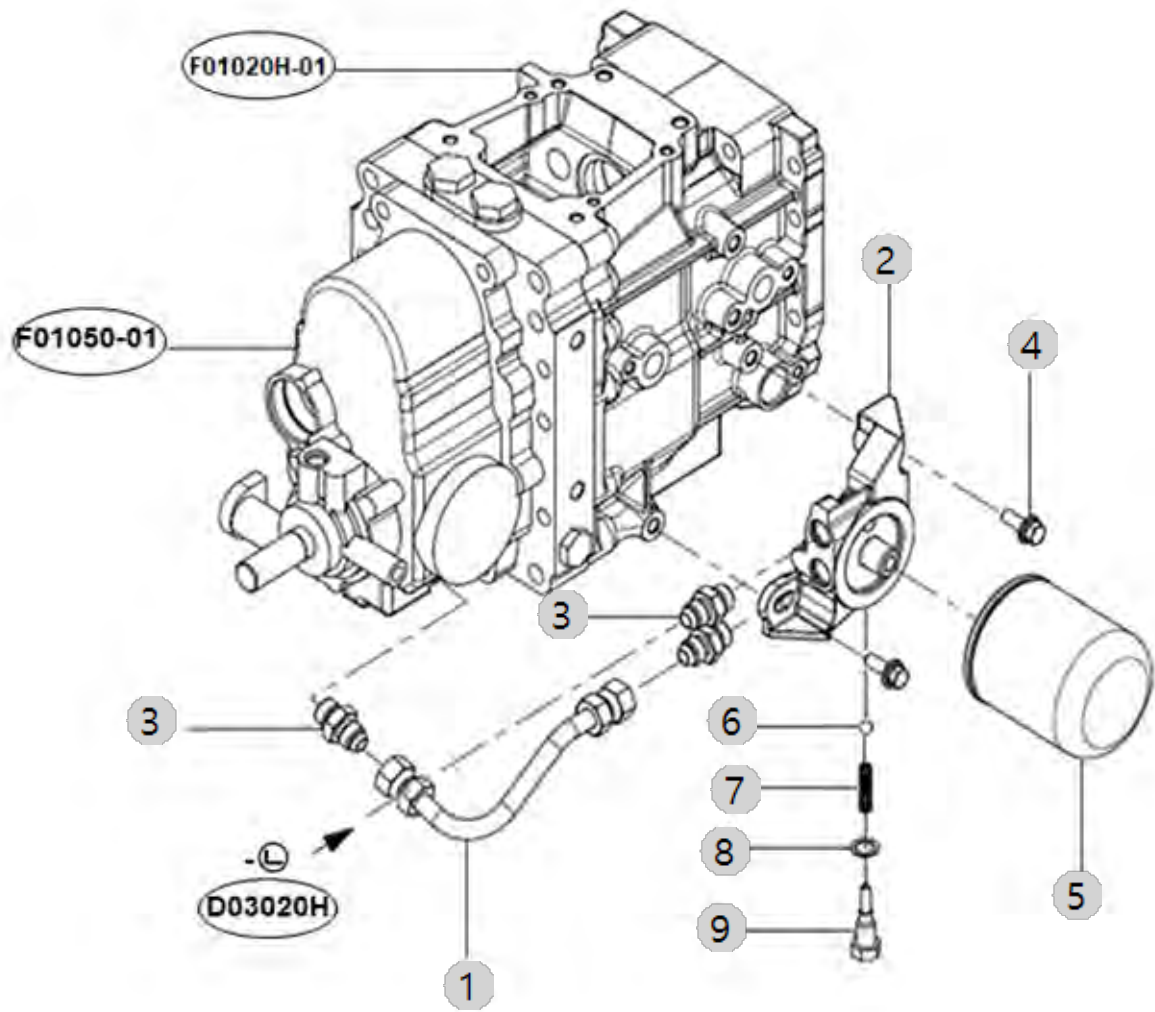


F10160H
2500 HST TM
(AC02172)

HYDRAULIC OIL LINE, HST

Year/Month

2023-01-17



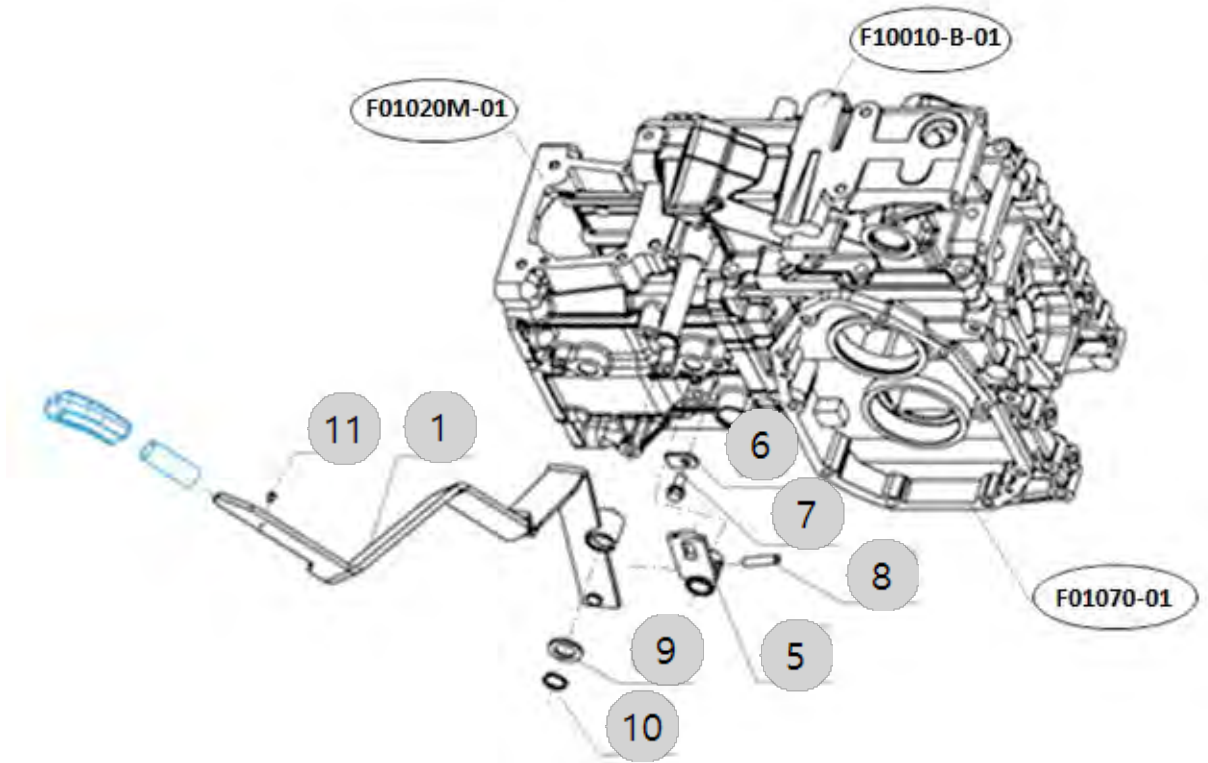
F11020-A

2500 HST TM
(AC02172)

RANGE SHIFT LEVER

Year/Month

2023-01-17



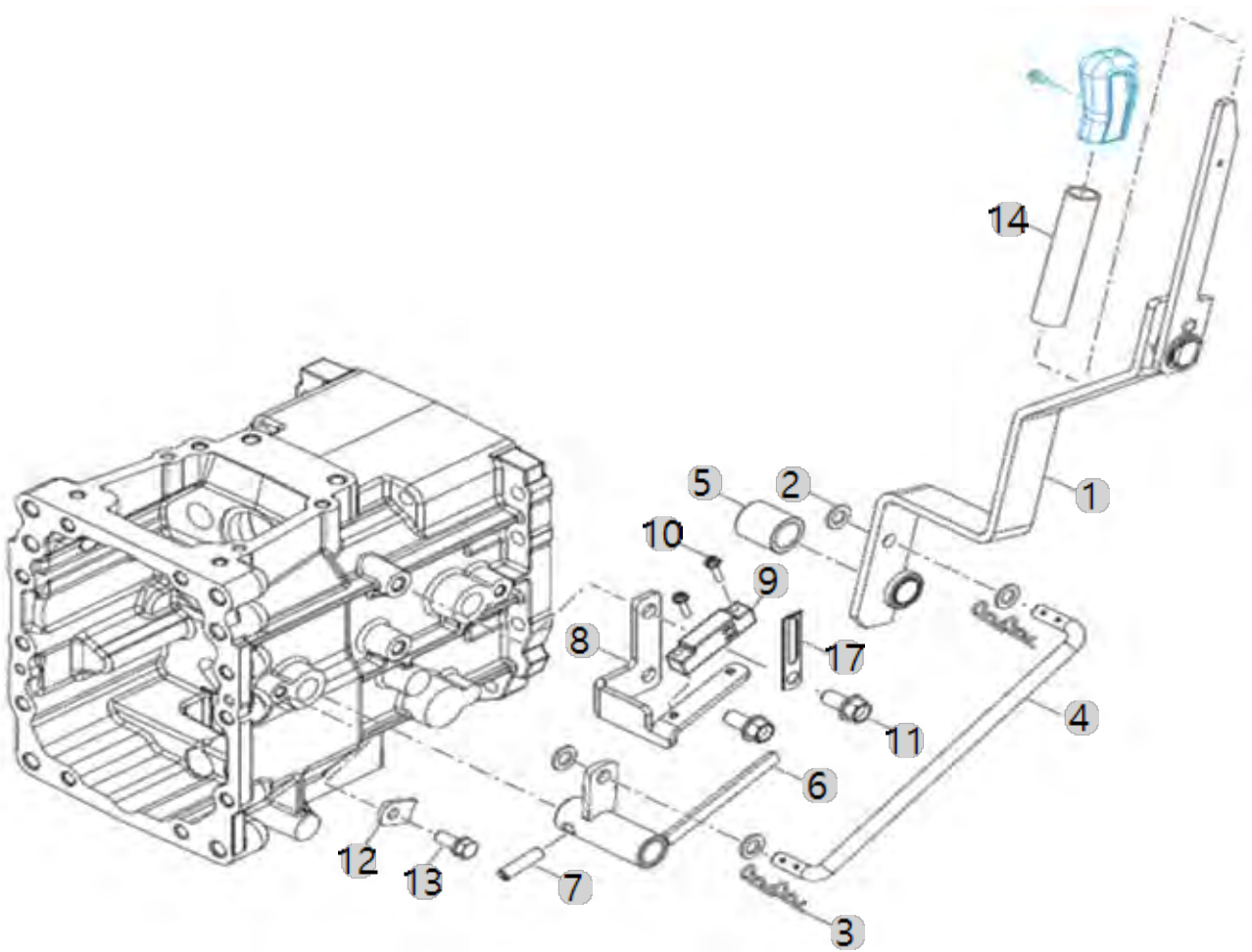
F11030

2500 HST TM
(AC02172)

PTO GEAR SHIFT LEVER

Year/Month

2023-01-17



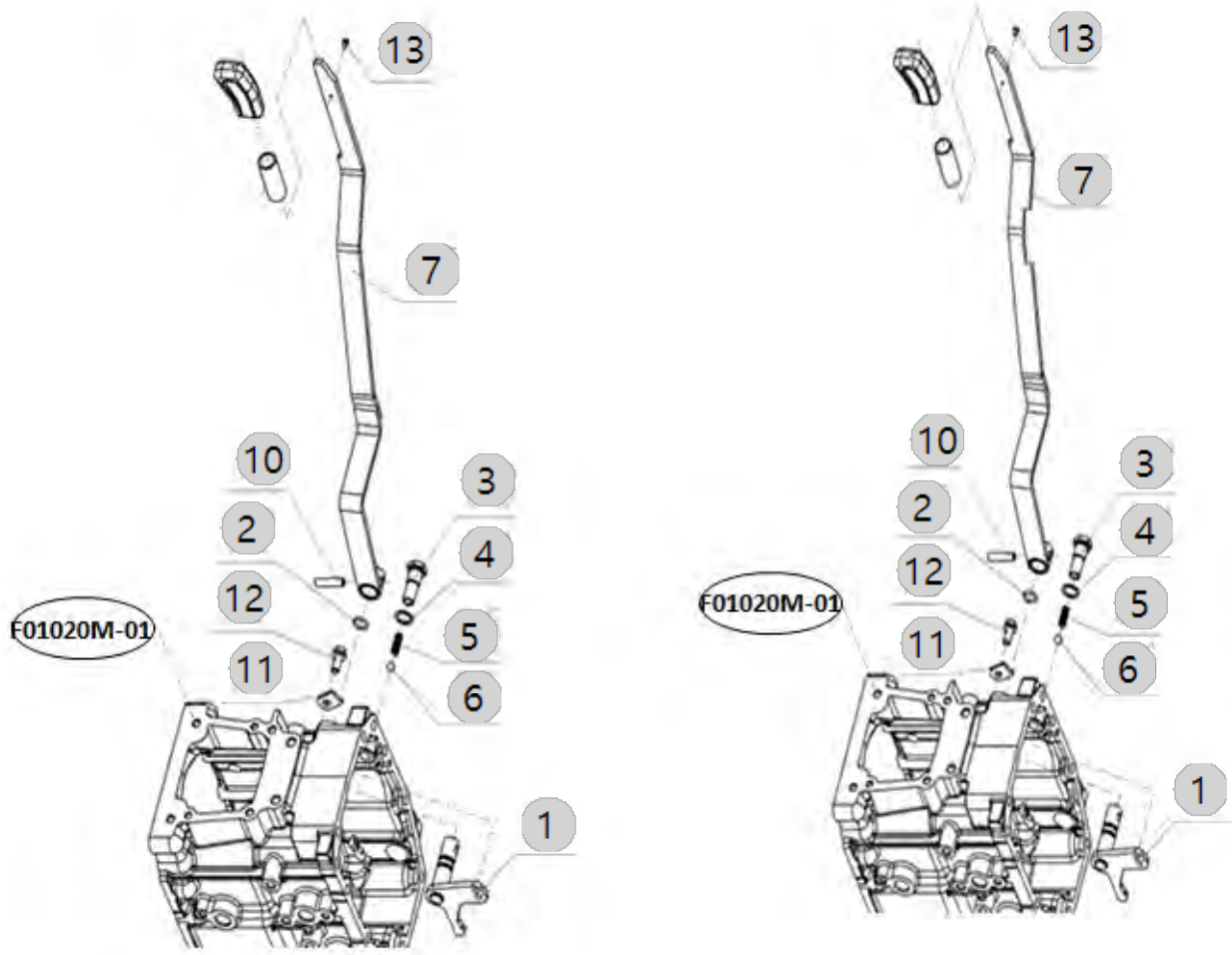
F11080

2500 HST TM
(AC02172)

4WD LEVER

Year/Month

2023-01-17



2610 전륜구동레버

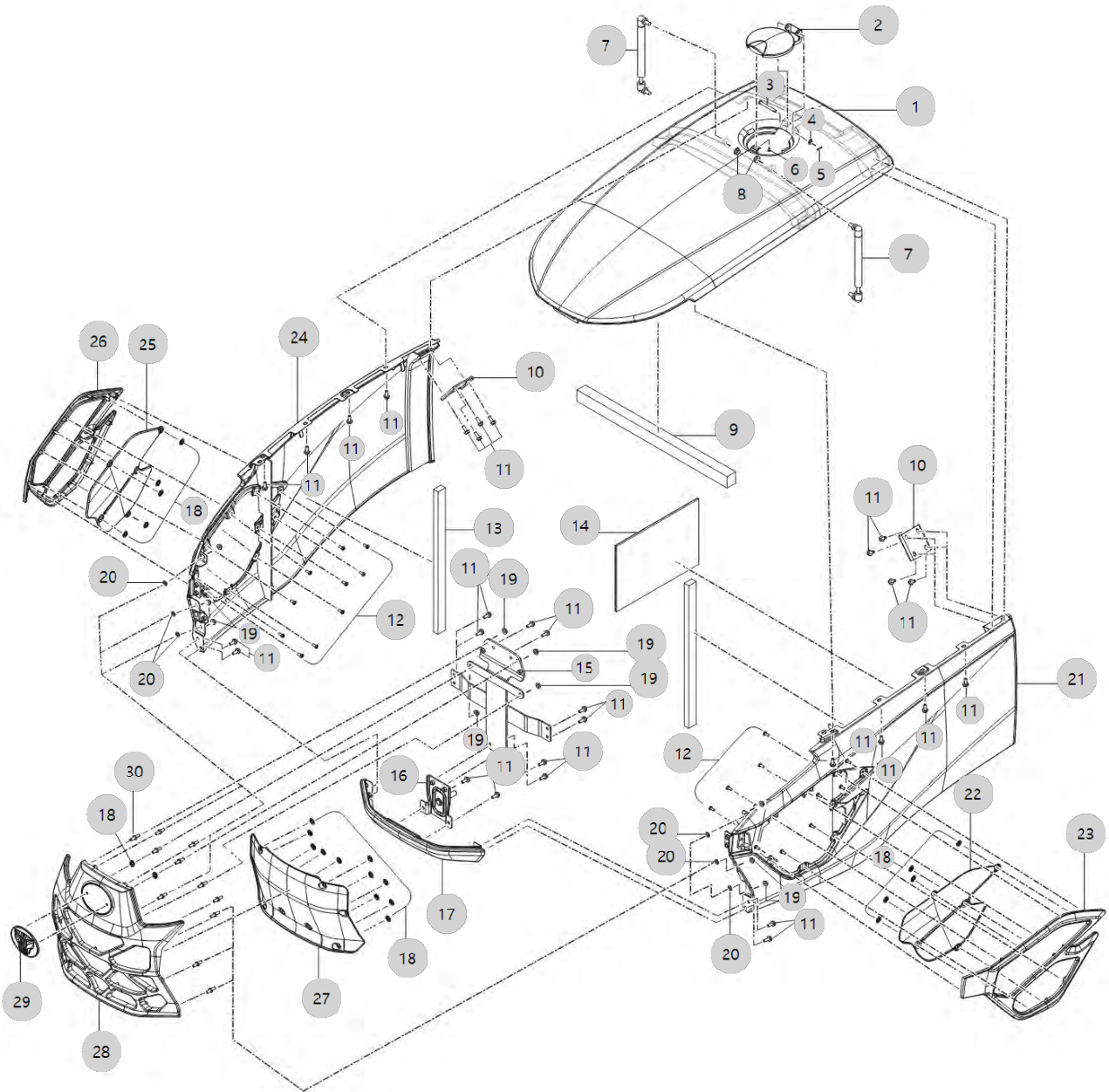
G01020

2500H_EU_FL
(AC02160)

BONNET

Year/Month

2023-01-17



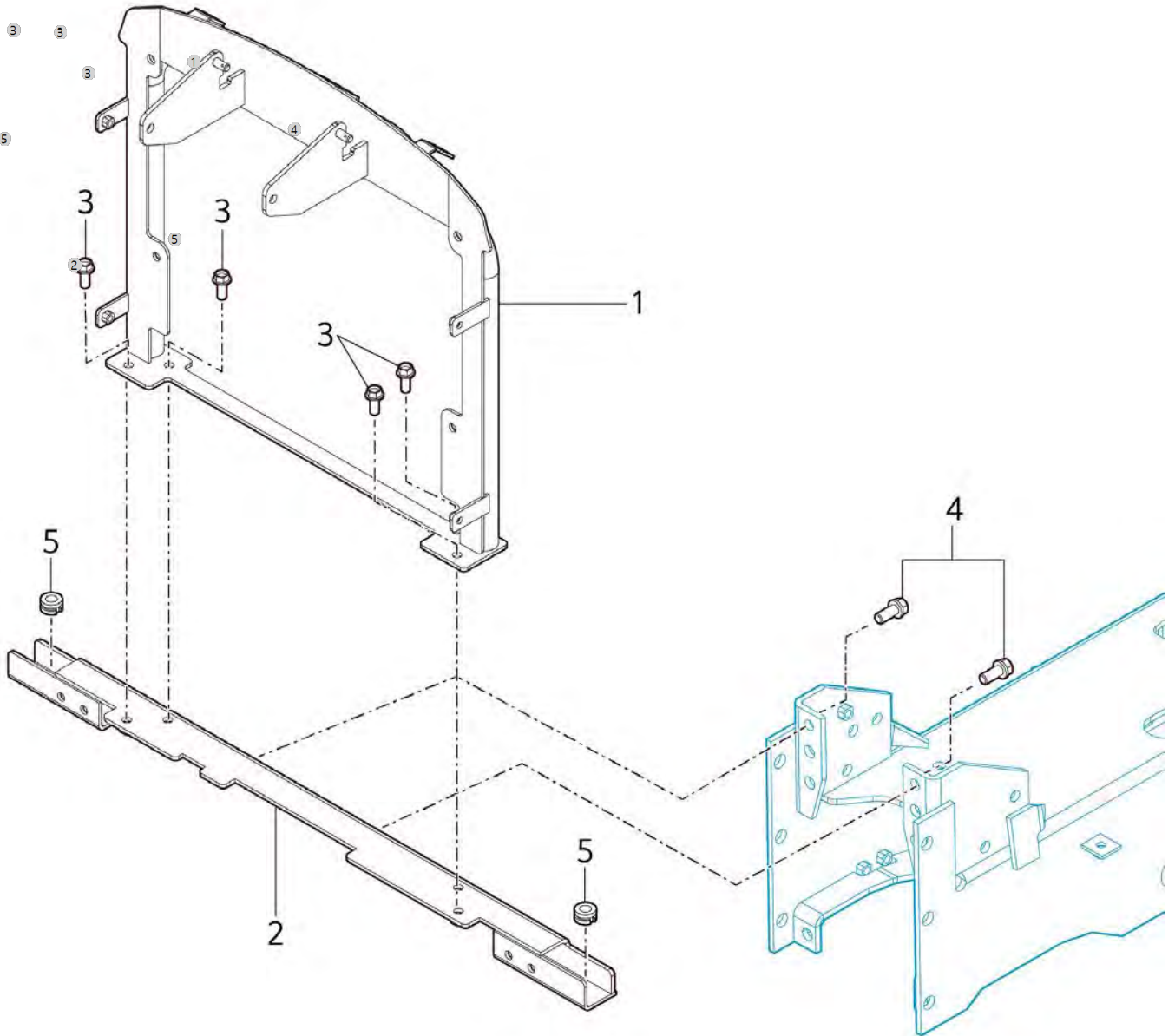
G01060

2500H_EU_FL
(AC02160)

FIXED BRACKET, BONNE

Year/Month

2023-01-17



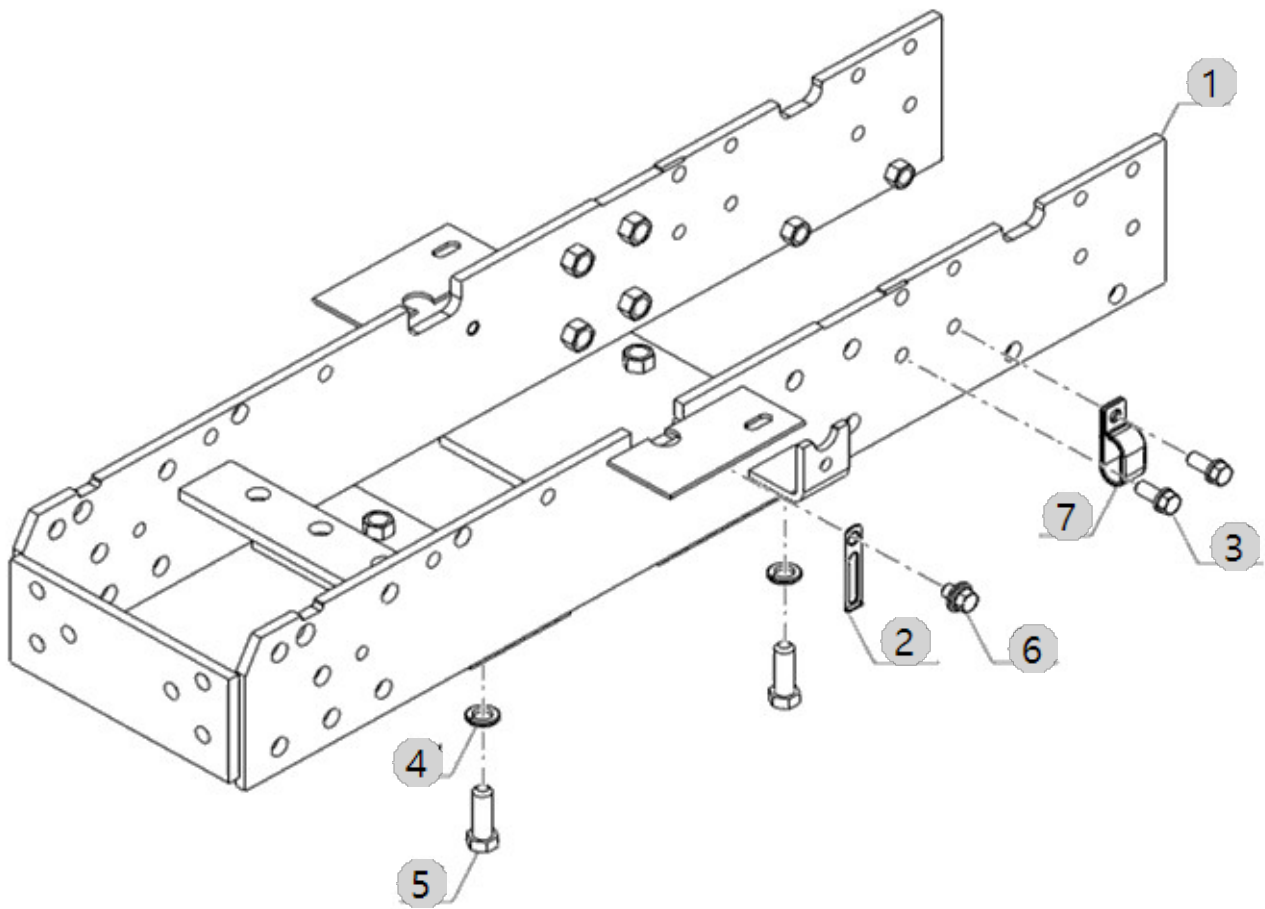
G01080

2500H_EU_FL
(AC02160)

BRACKET, FRONT AXLE

Year/Month

2023-01-17



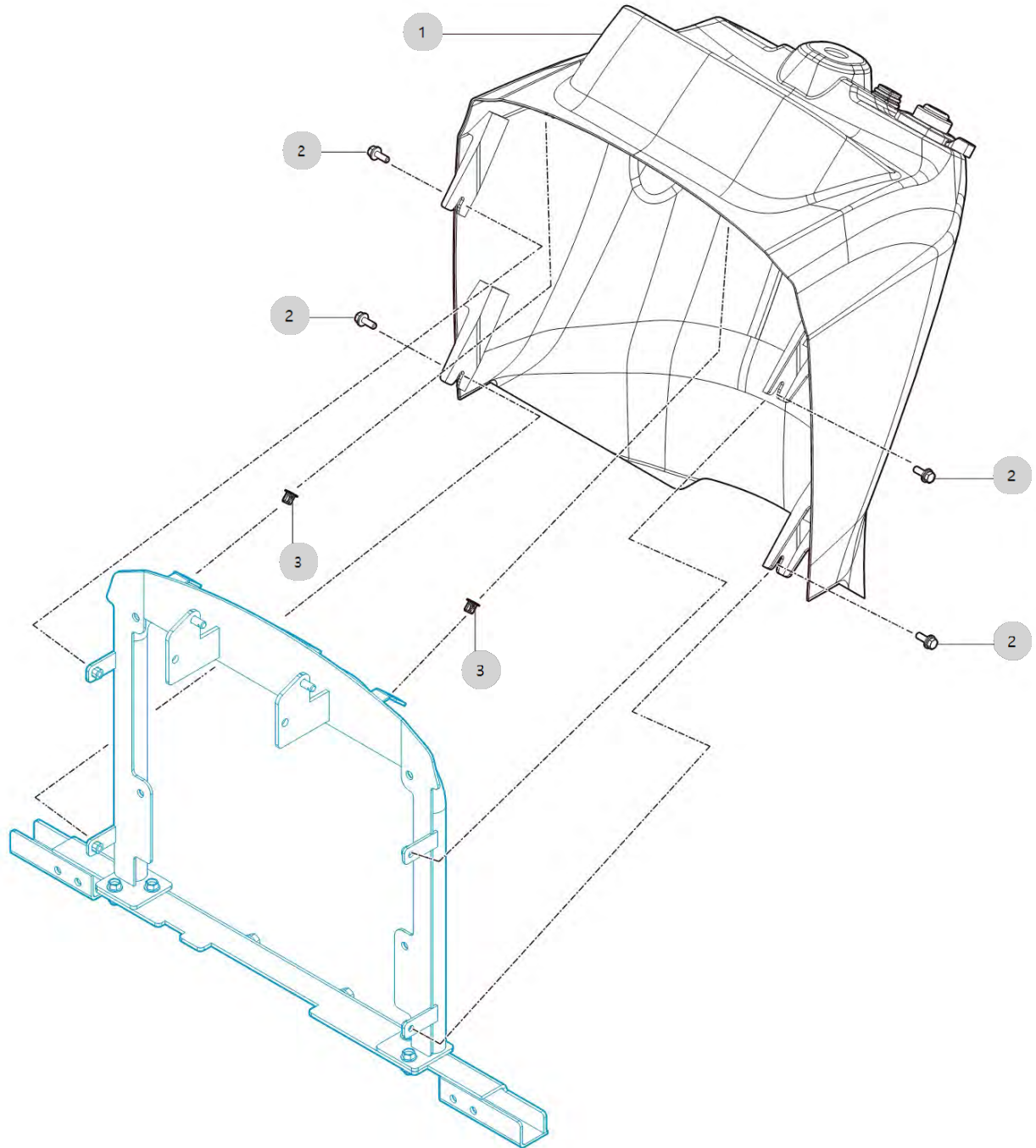
G04020

2500H_EU_FL
(AC02160)

DASHBOARD

Year/Month

2023-01-17



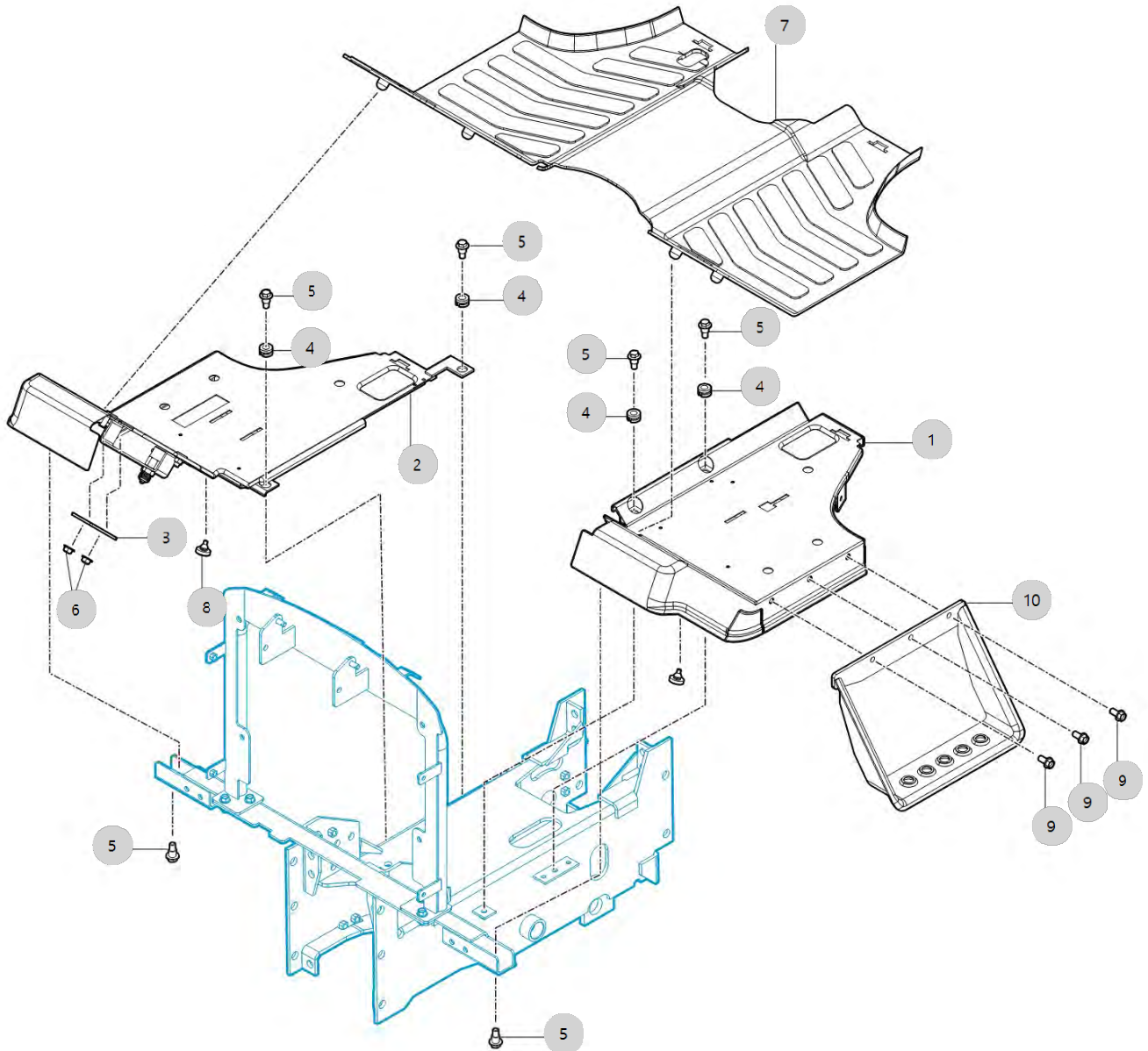
G04060

2500H_EU_FL
(AC02160)

SUB STEP

Year/Month

2023-01-17



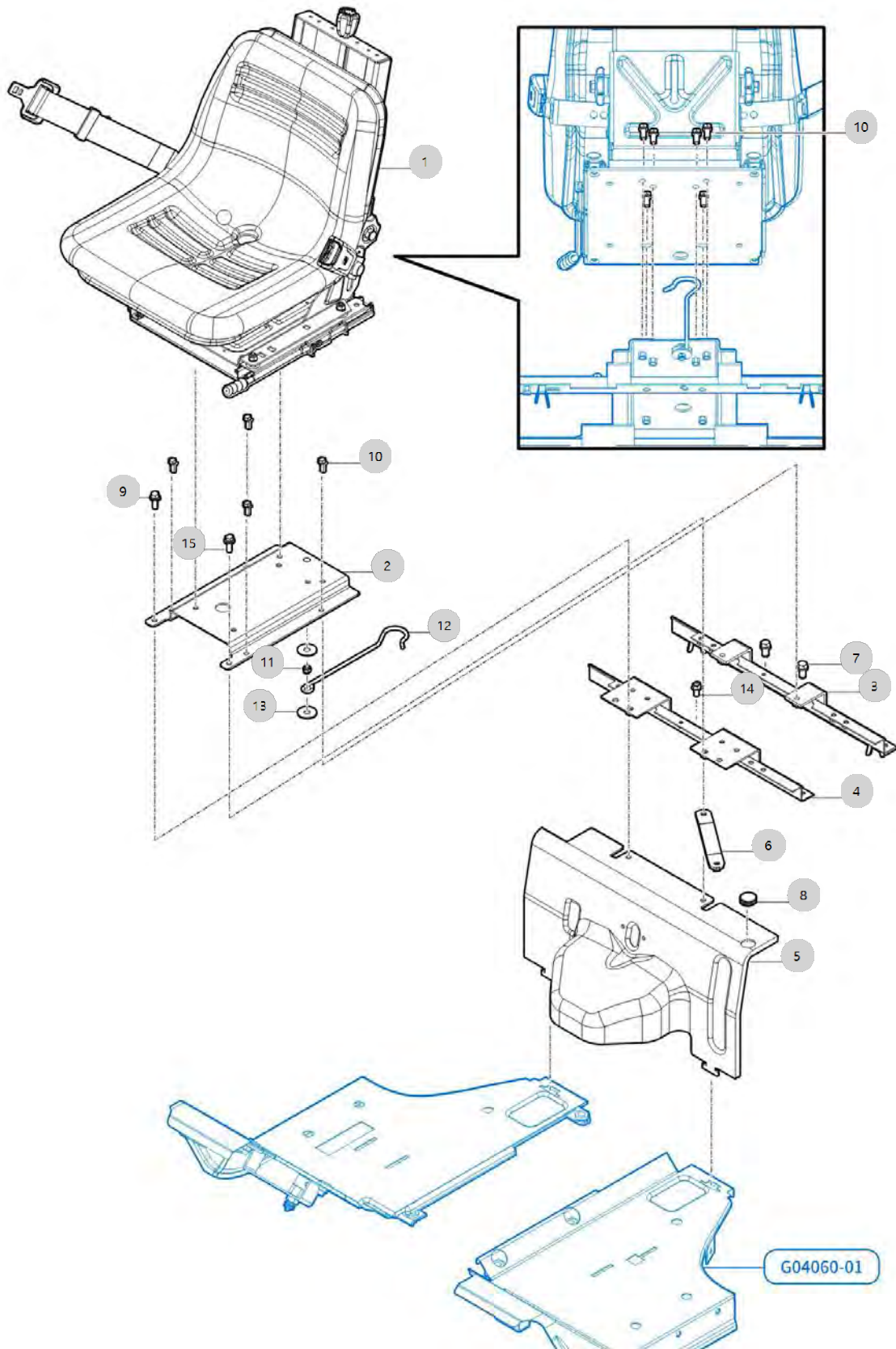
G04070

2500H_EU_FL
(AC02160)

DRIVER'S SEAT

Year/Month

2023-01-17



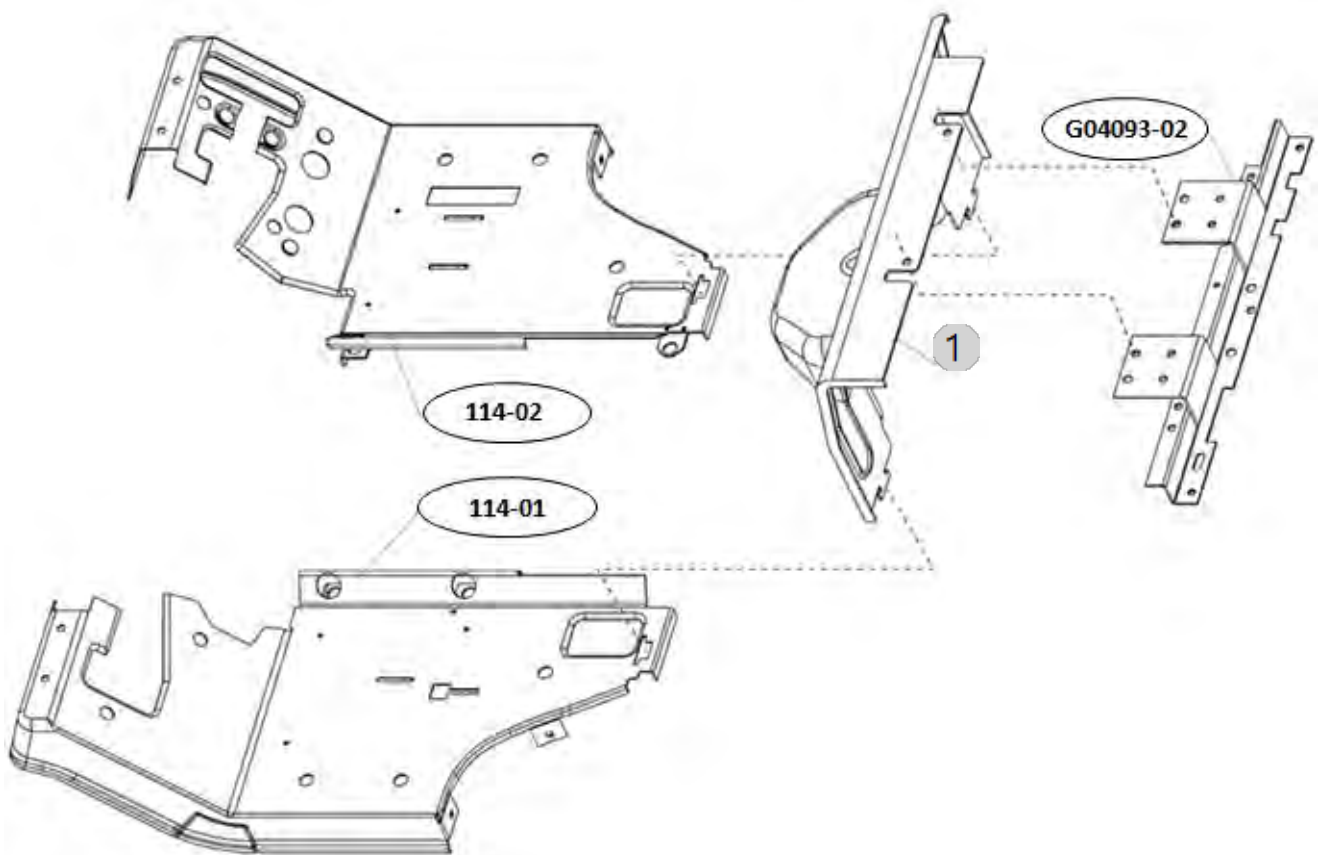
G04071

2500H_EU_FL
(AC02160)

FLOOR SEAT

Year/Month

2023-01-17



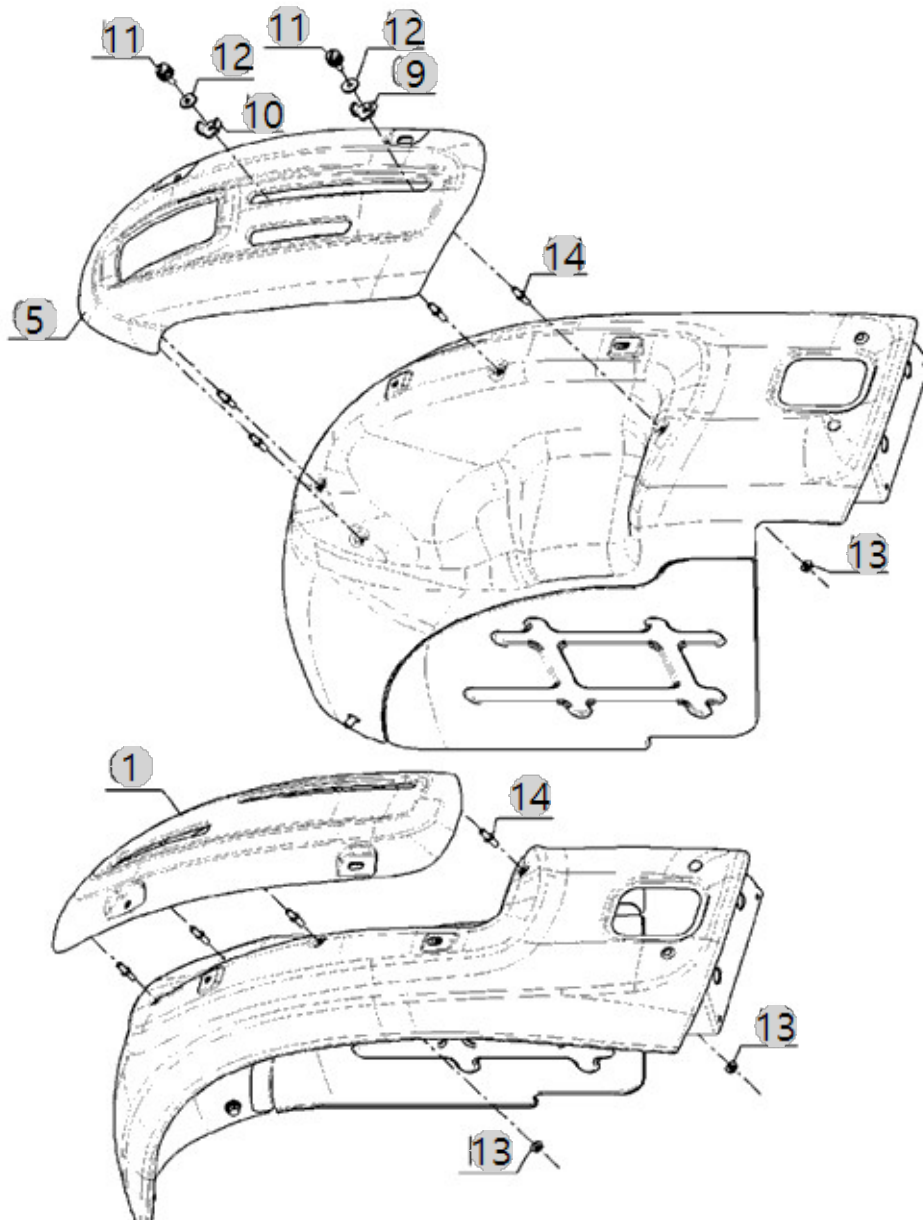
G04083M

2500H_EU_FL
(AC02160)

LEVER GUIDE

Year/Month

2023-01-17



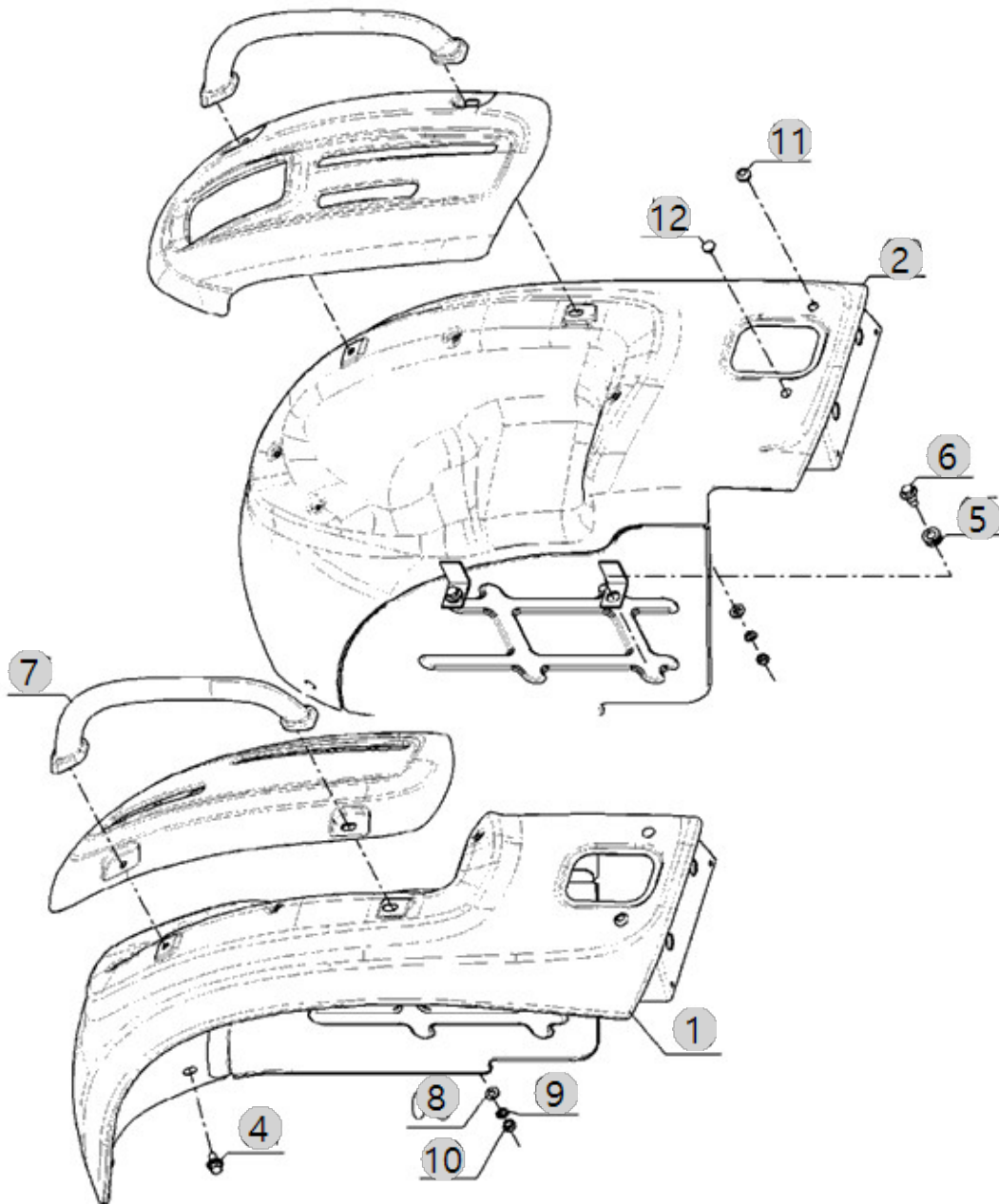
G04090

2500H_EU_FL
(AC02160)

FENDER

Year/Month

2023-01-17



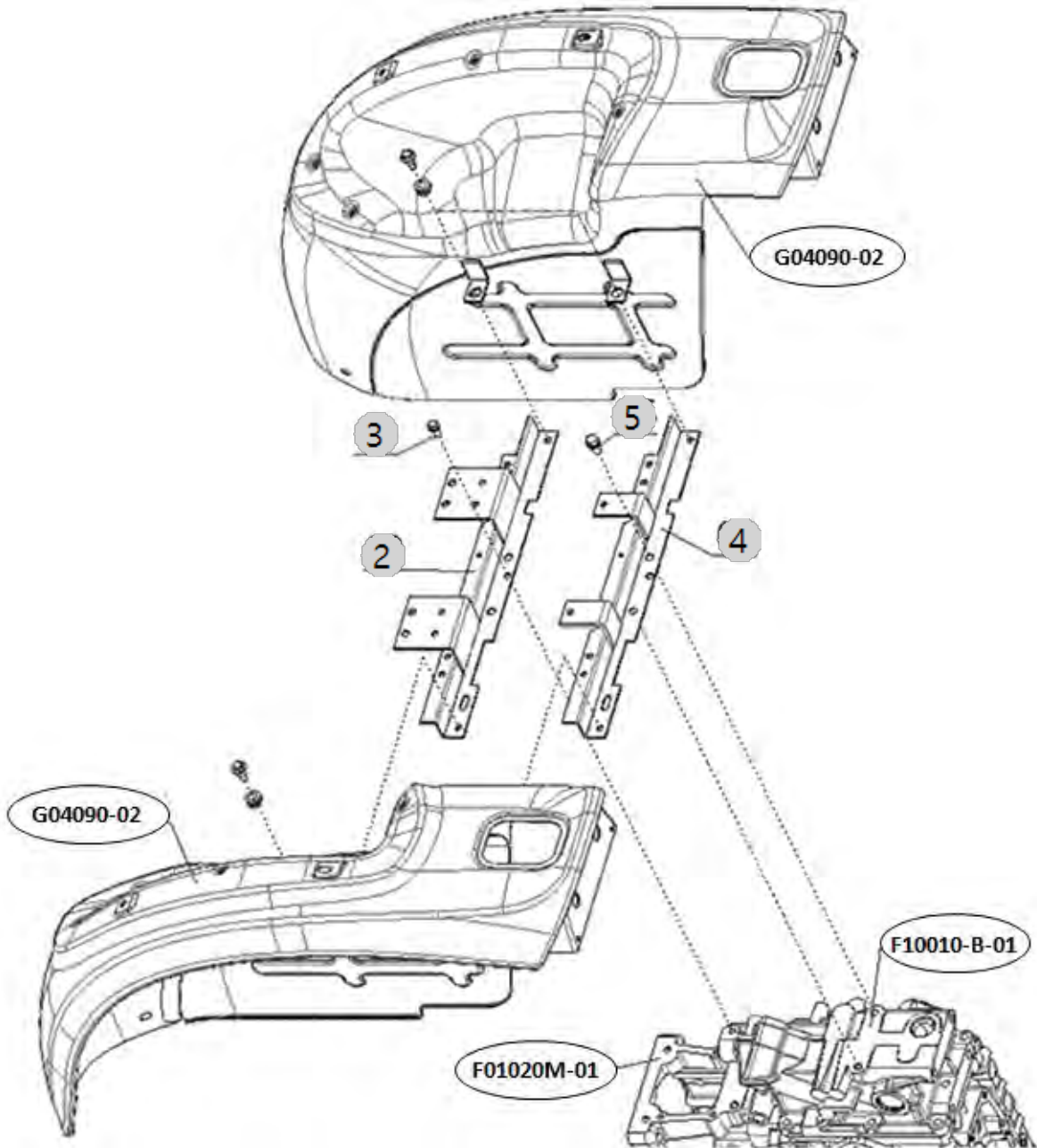
G04093

2500H_EU_FL
(AC02160)

FENDER STAY

Year/Month

2023-01-17



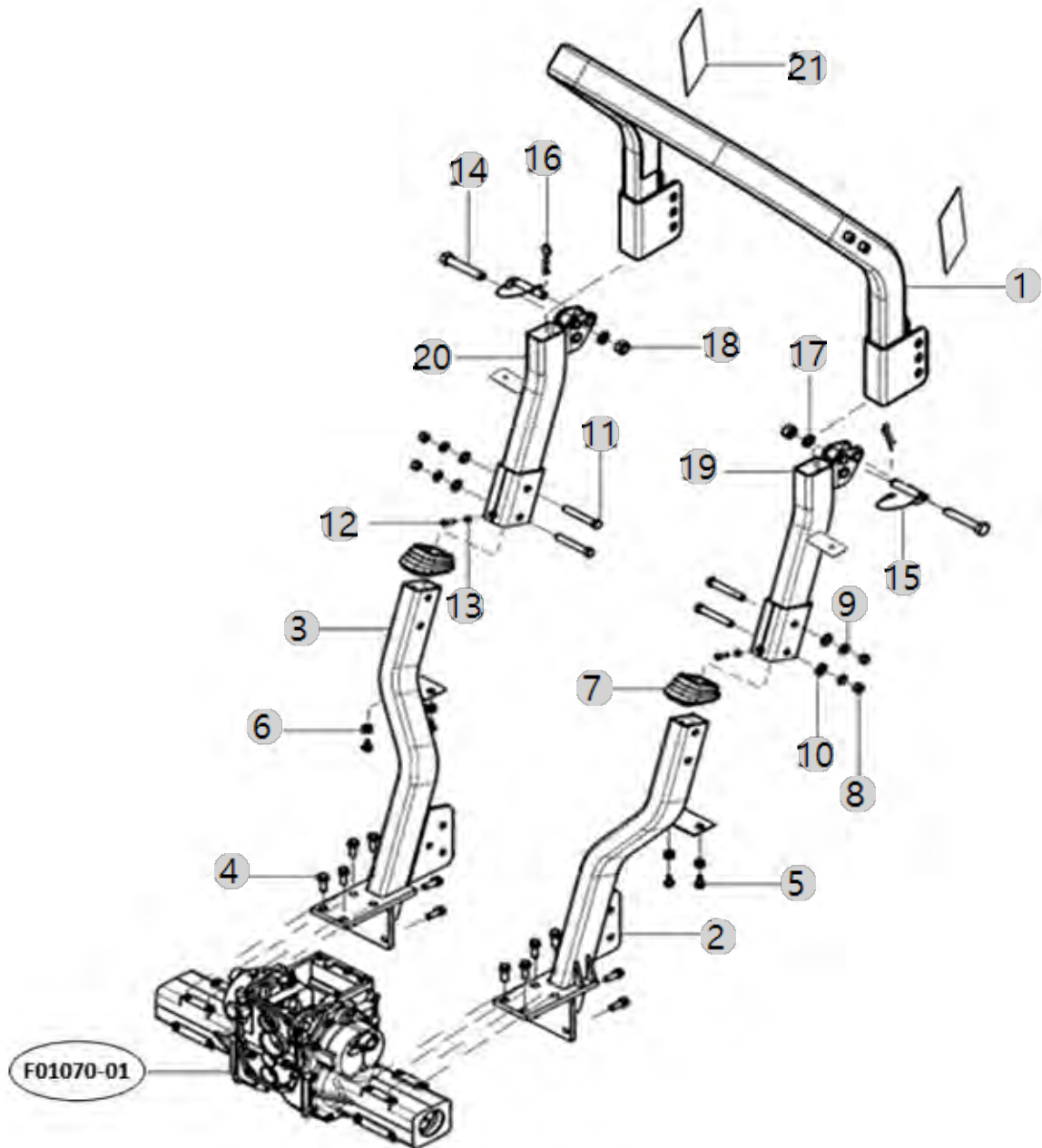
G04120-A

2500H_EU_FL
(AC02160)

ROPS

Year/Month

2023-01-17



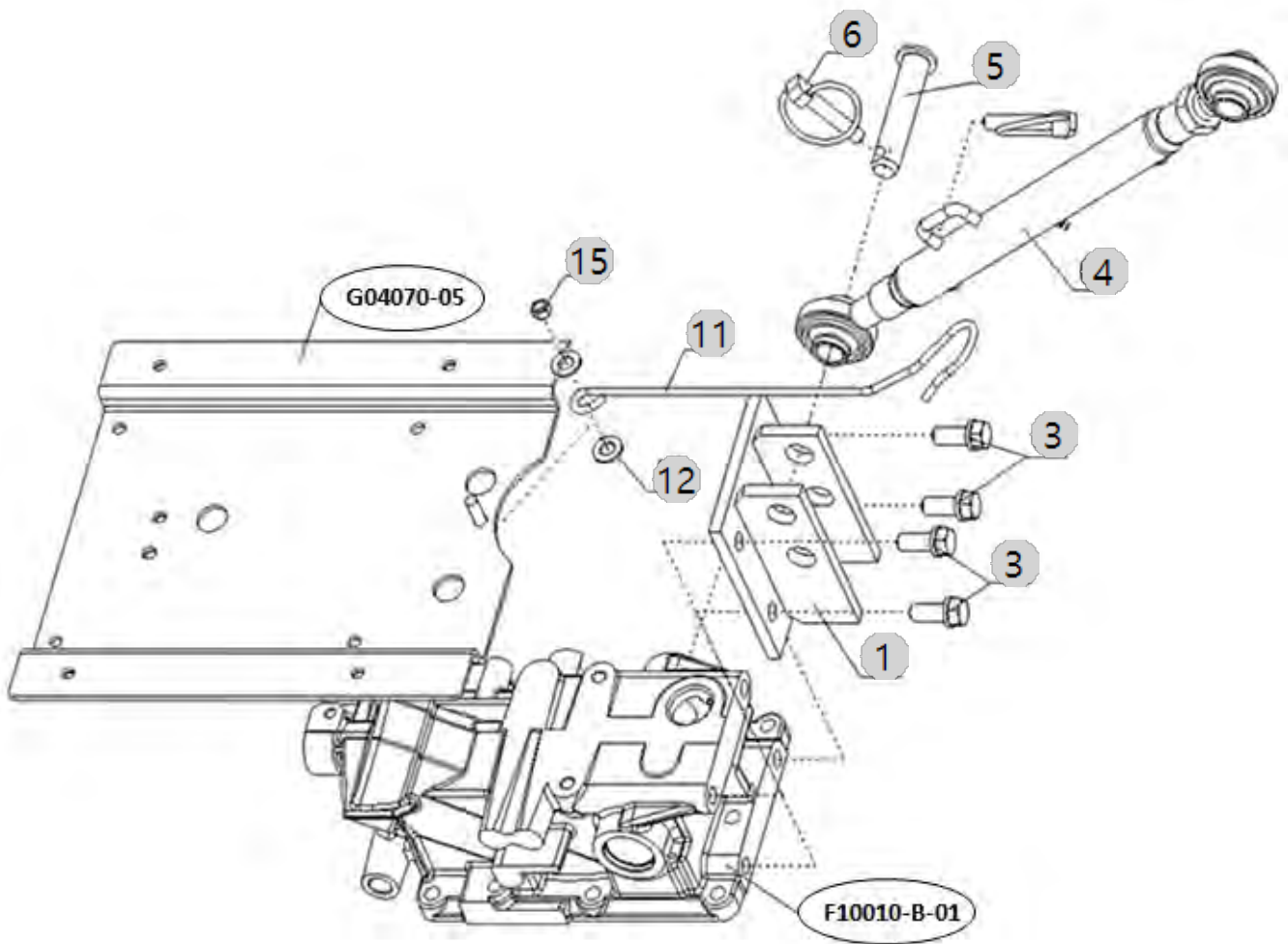
G05020

2500H_EU_FL
(AC02160)

TOP LINK

Year/Month

2023-01-17



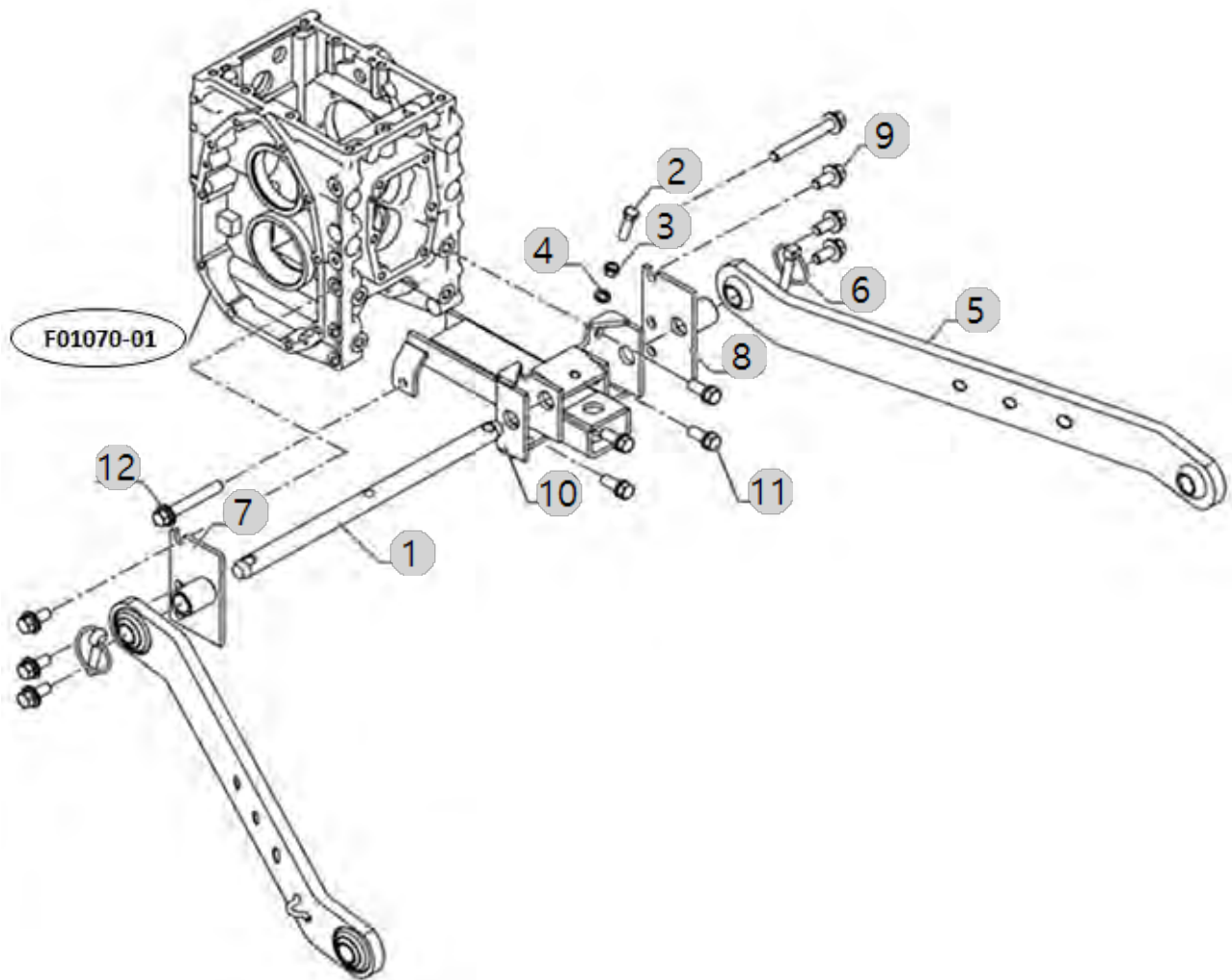
G05030

2500H_EU_FL
(AC02160)

LOWER LINK

Year/Month

2023-01-17



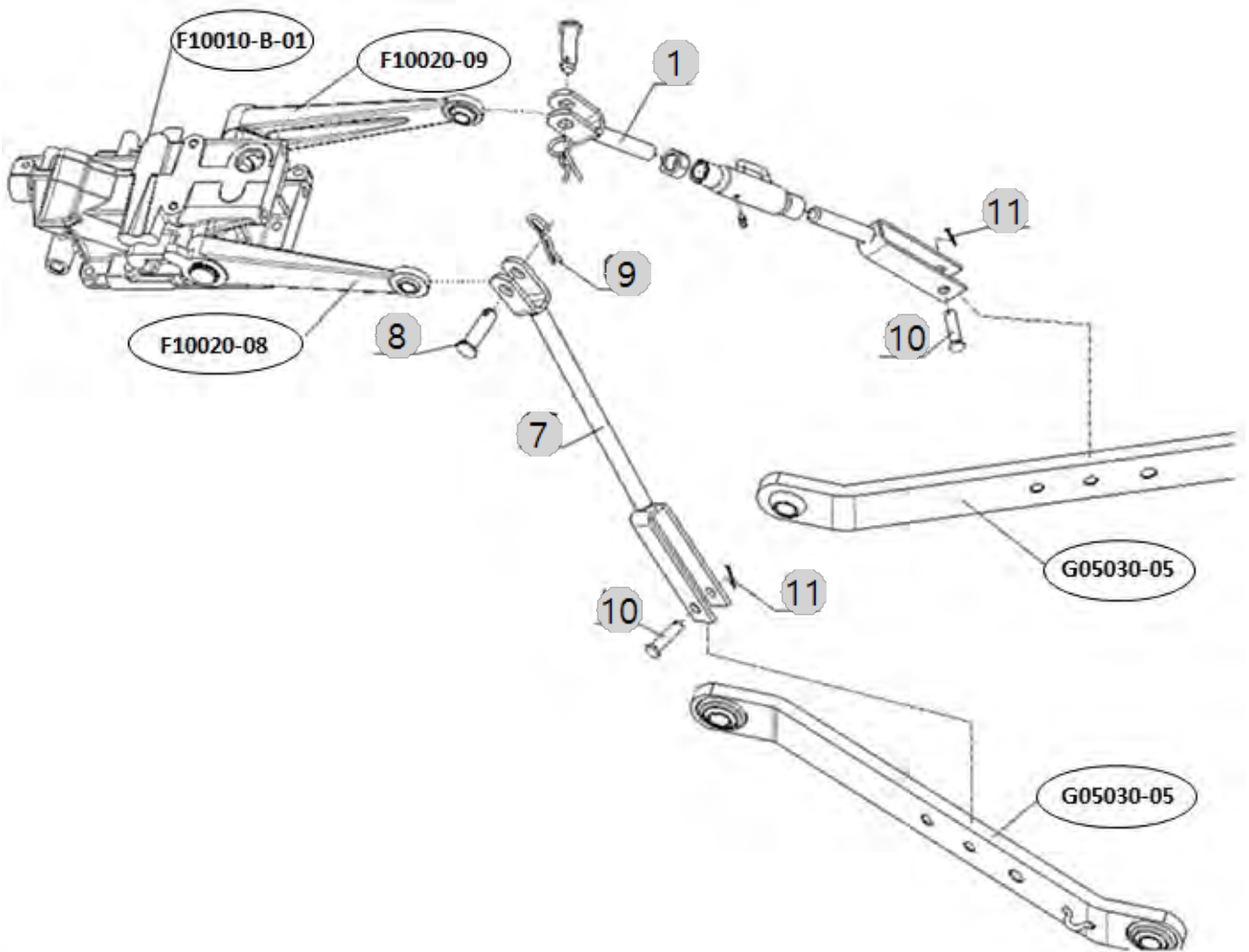
G05050

2500H_EU_FL
(AC02160)

LIFT LINK

Year/Month

2023-01-17



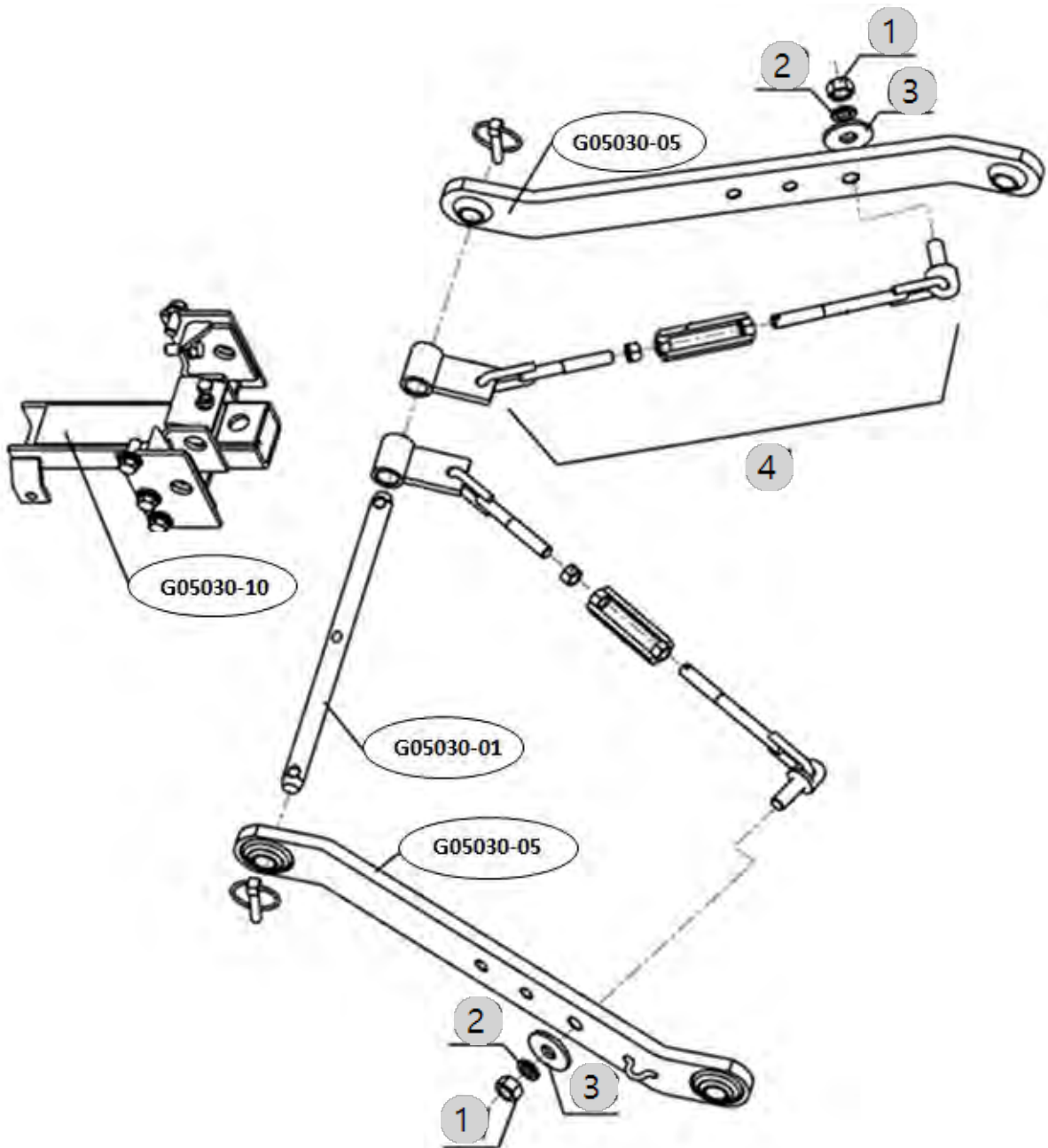
G05054-A

2500H_EU_FL
(AC02160)

CHECK CHAIN

Year/Month

2023-01-17



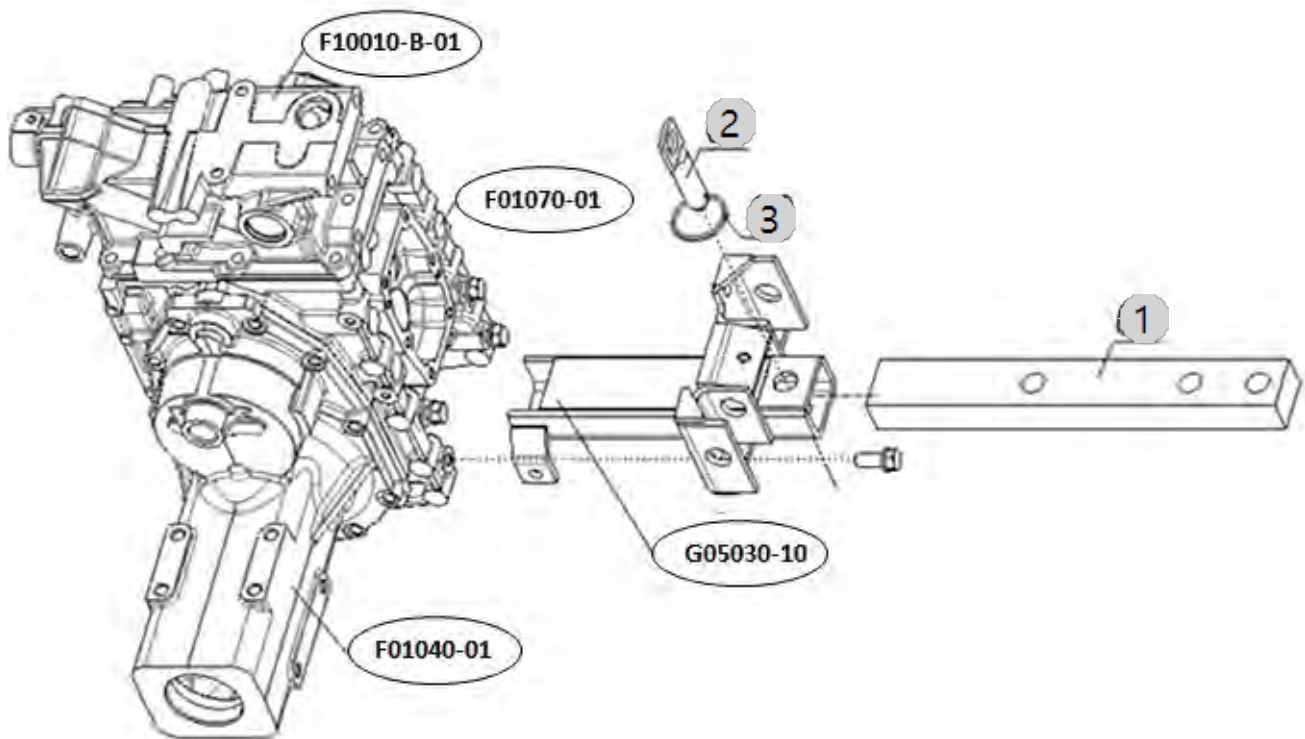
G05070

2500H_EU_FL
(AC02160)

DRAW BAR

Year/Month

2023-01-17



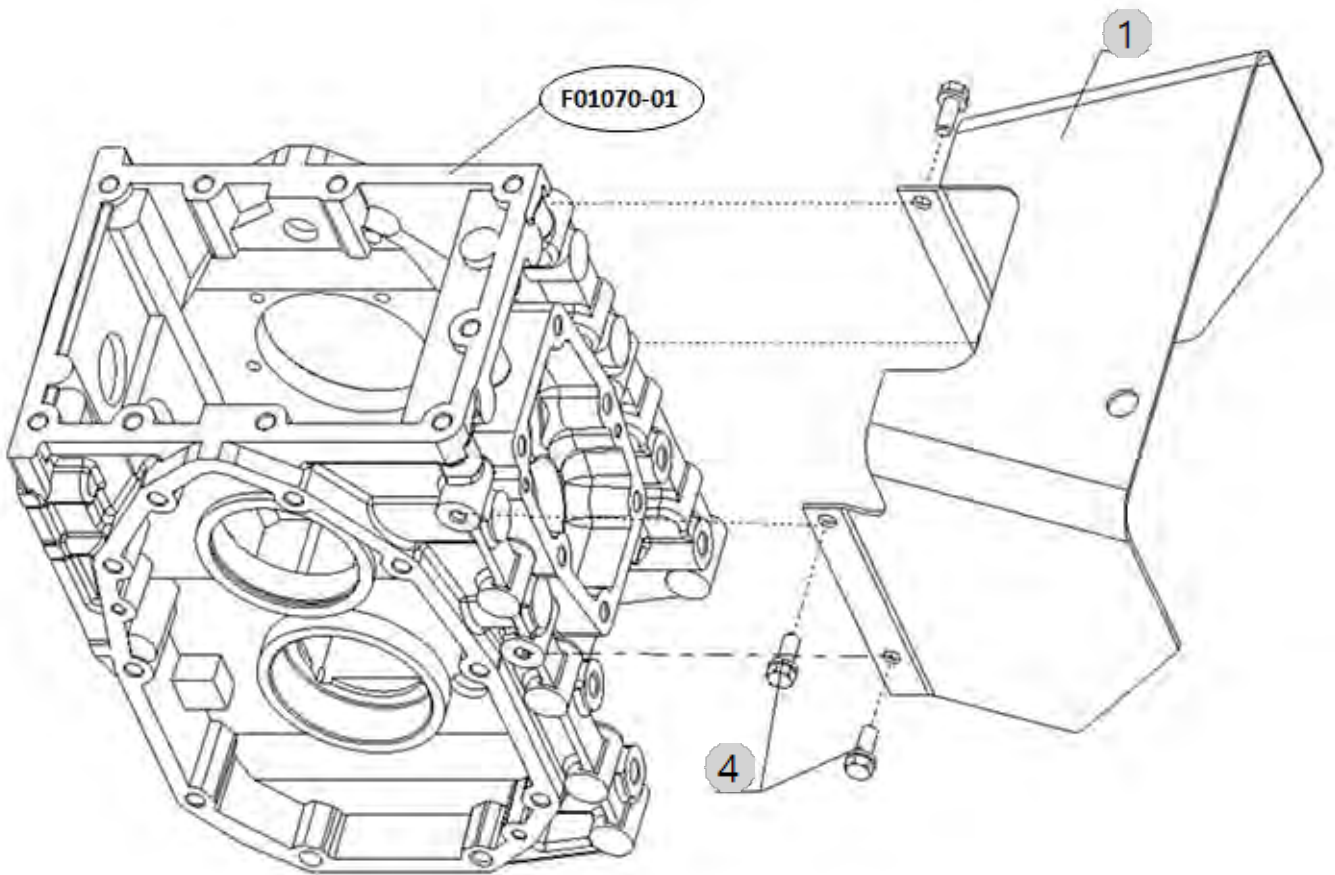
G05090

2500H_EU_FL
(AC02160)

PTO COVER

Year/Month

2023-01-17



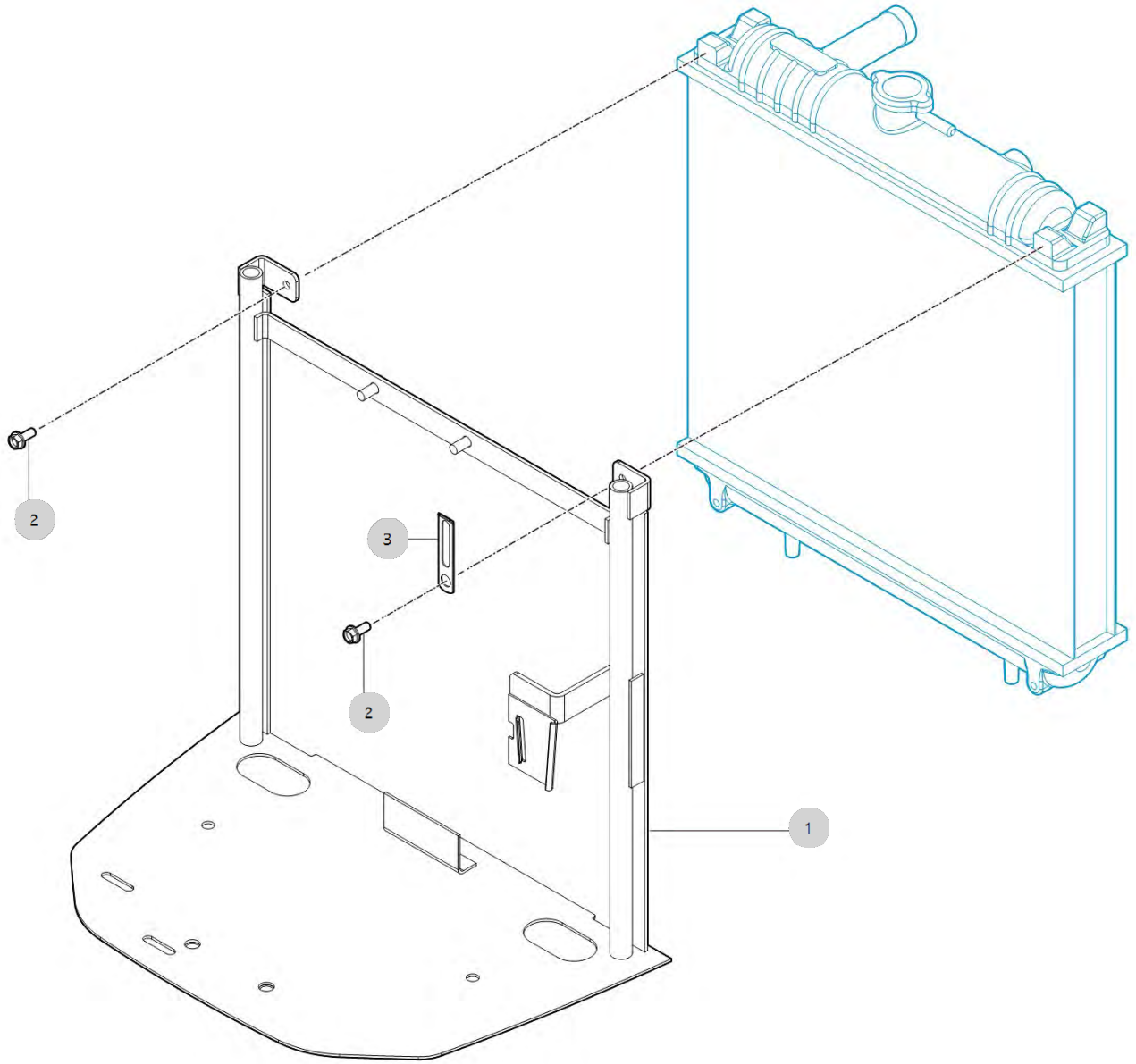
H01030

2500H_EU_FL
(AC02160)

BATTERY

Year/Month

2023-01-17



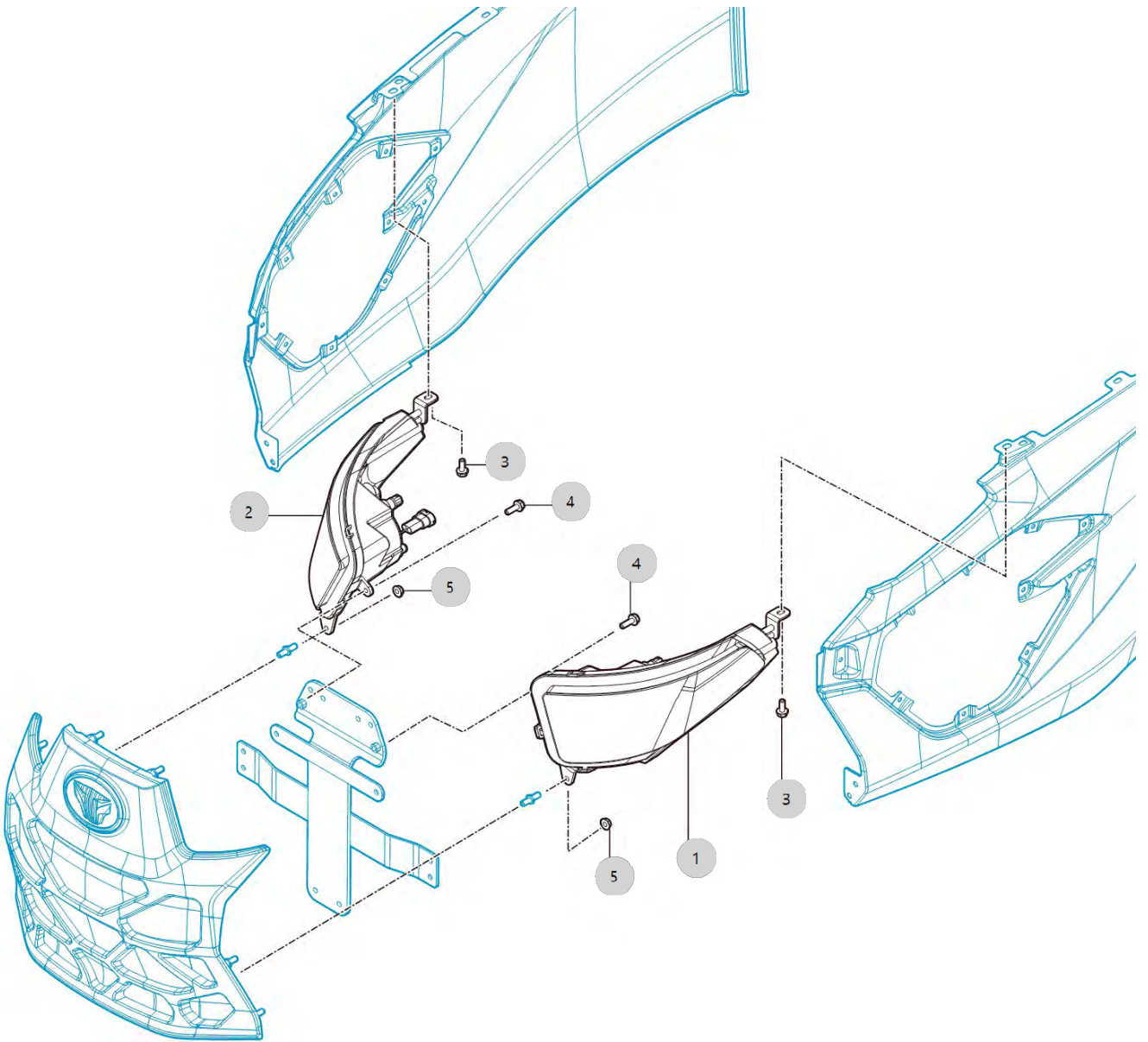
H02010

2500H_EU_FL
(AC02160)

HEADLIGHT

Year/Month

2023-01-17



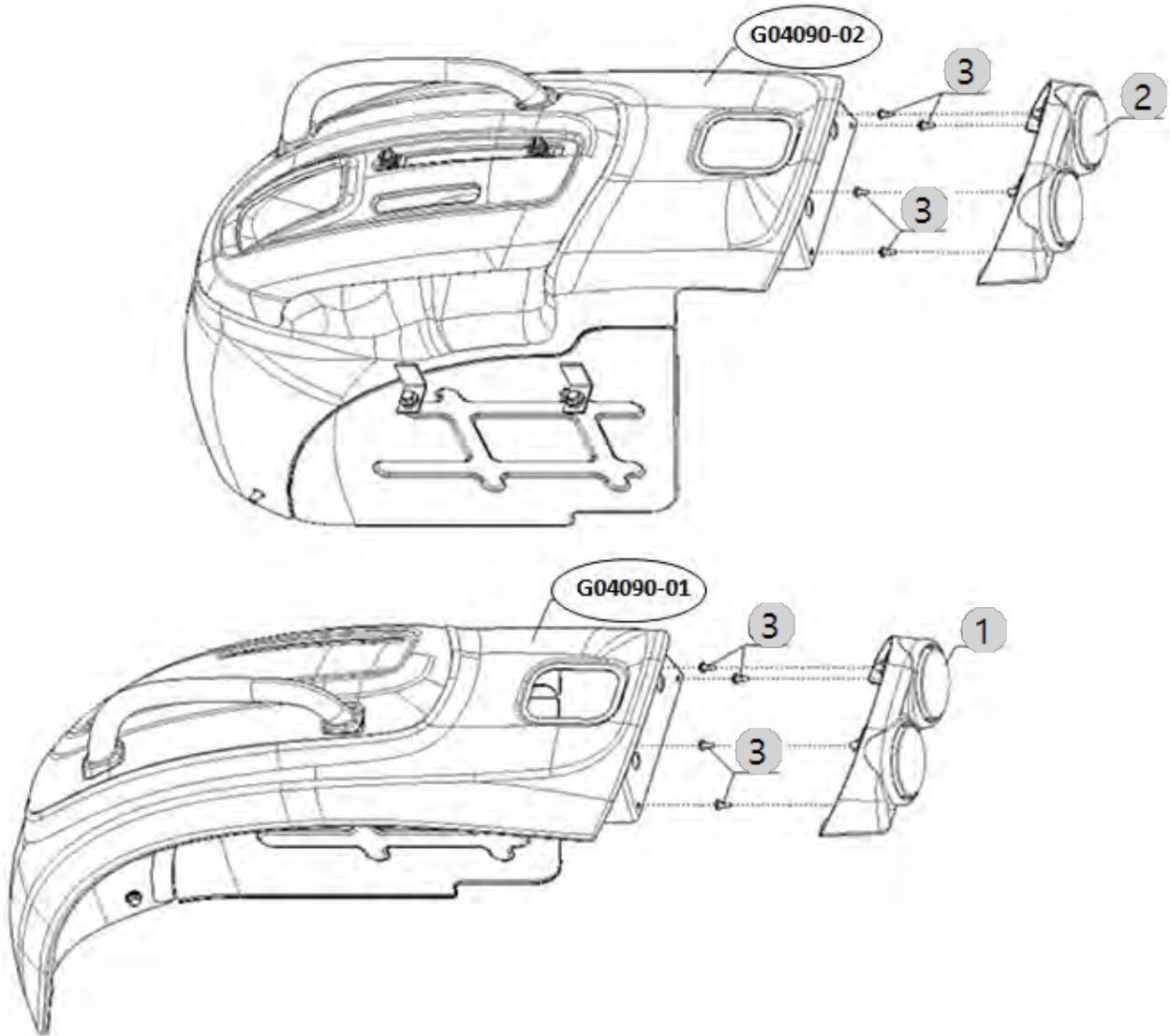
H02022

2500H_EU_FL
(AC02160)

COMBINATION LAMP/RR

Year/Month

2023-01-17



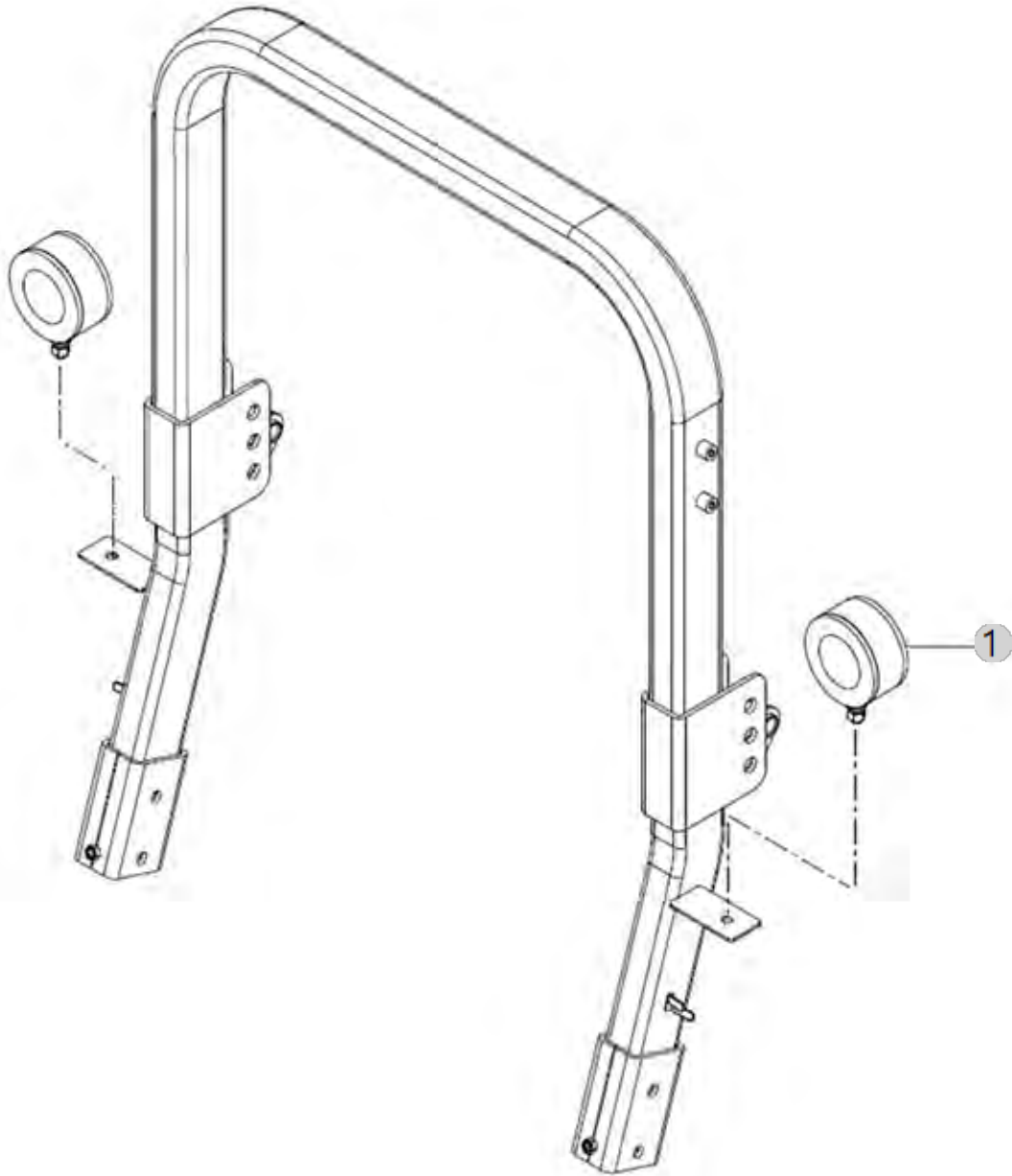
H02050

2500H_EU_FL
(AC02160)

TURN INDICATOR

Year/Month

2023-01-17



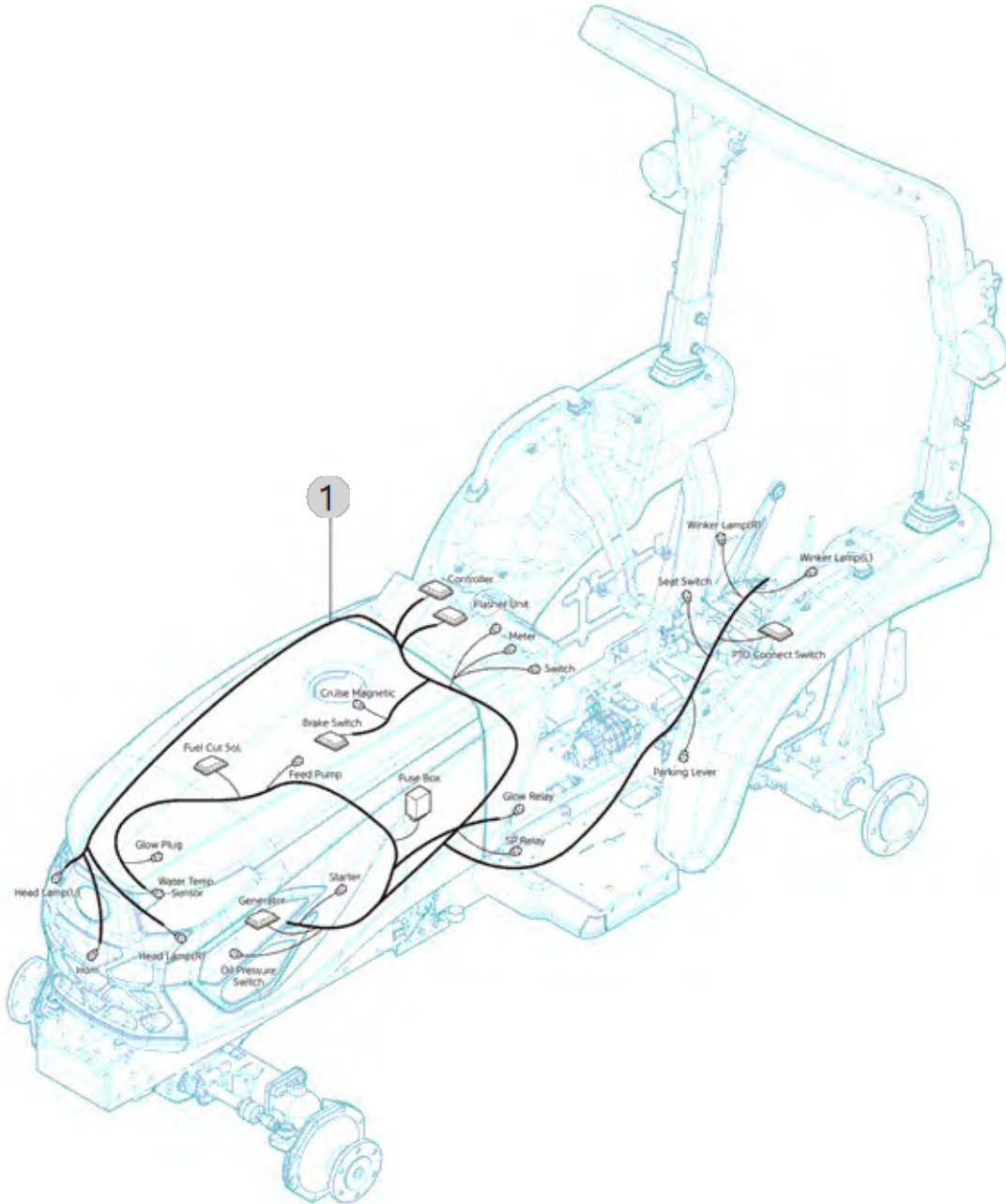
H03040

2500H_EU_FL
(AC02160)

MAIN HARNESS

Year/Month

2023-01-17



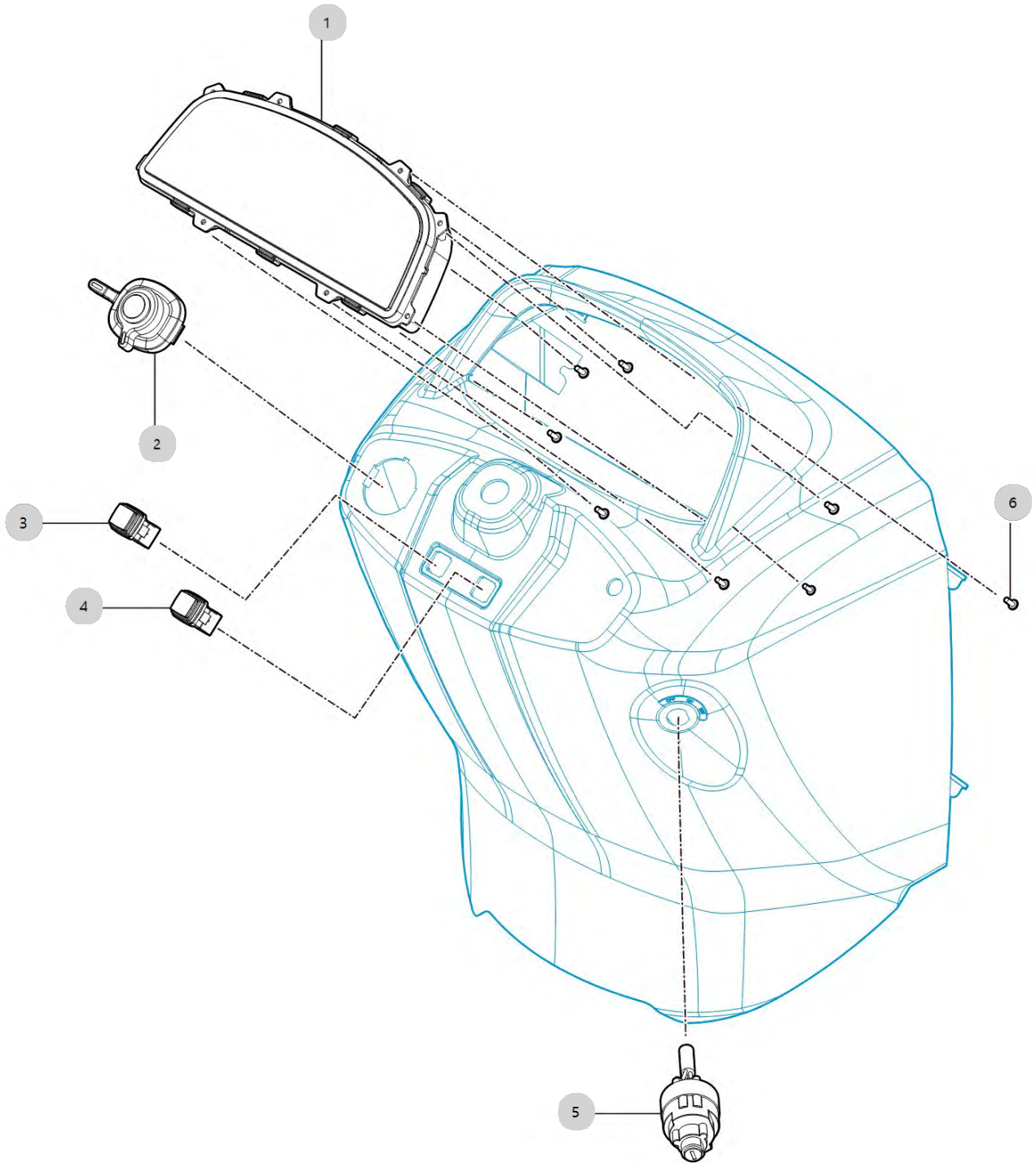
H04051

2500H_EU_FL
(AC02160)

SWITCH/DASHBOARD

Year/Month

2023-01-17



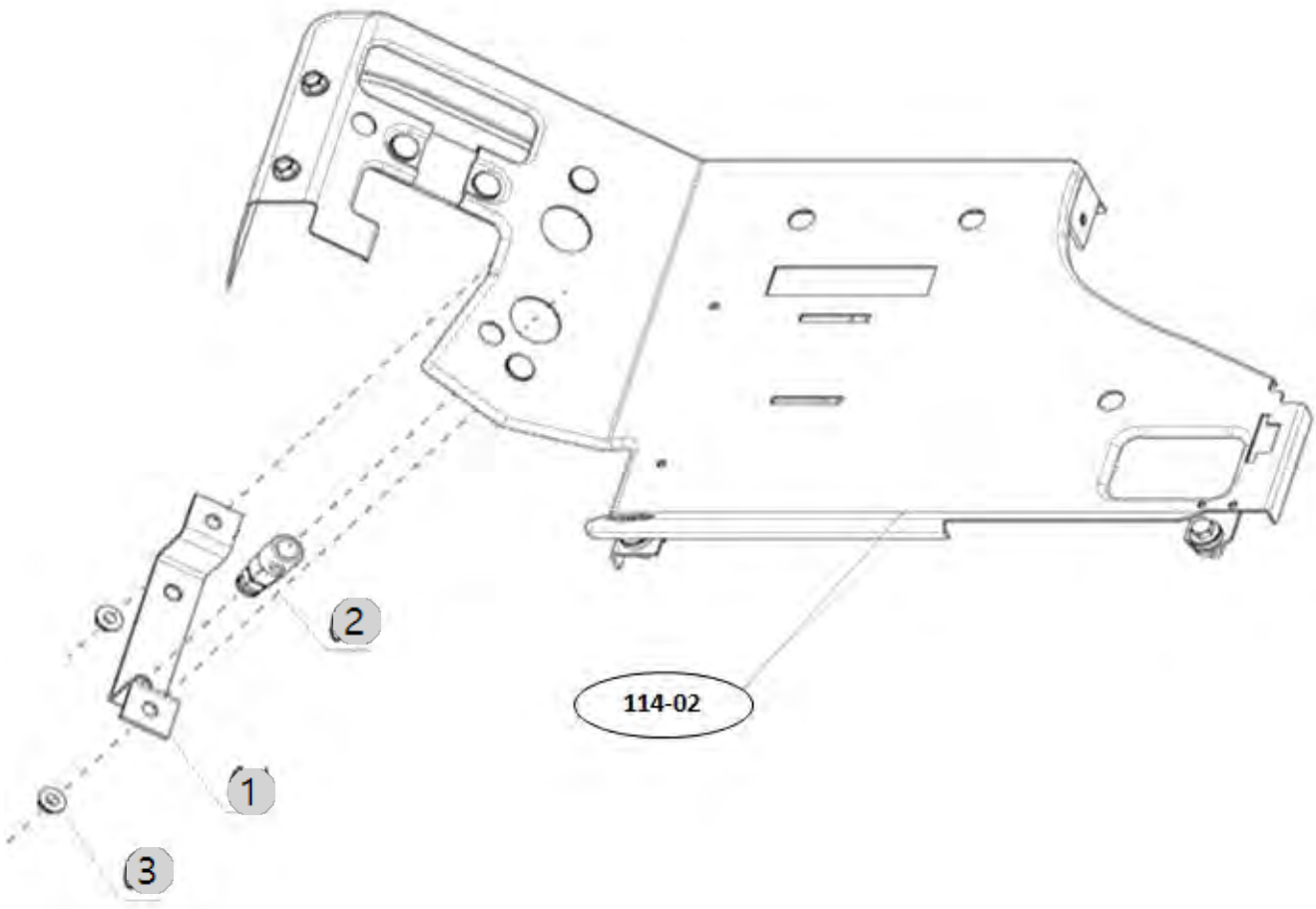
H04054

2500H_EU_FL
(AC02160)

SWITCH/BRAKE

Year/Month

2023-01-17



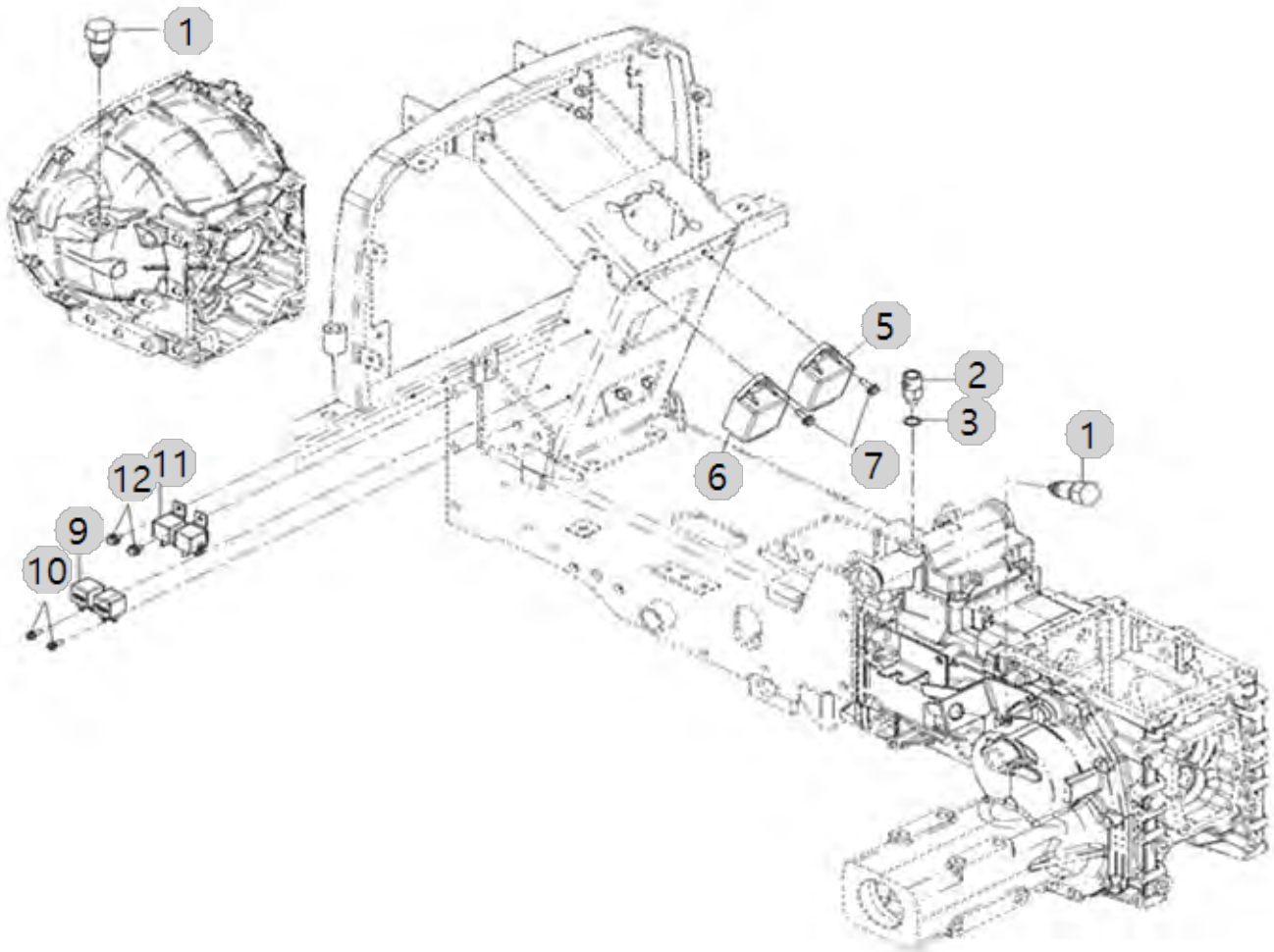
H04060M

2500H_EU_FL
(AC02160)

ELETRIC APPARATUS

Year/Month

2023-01-17



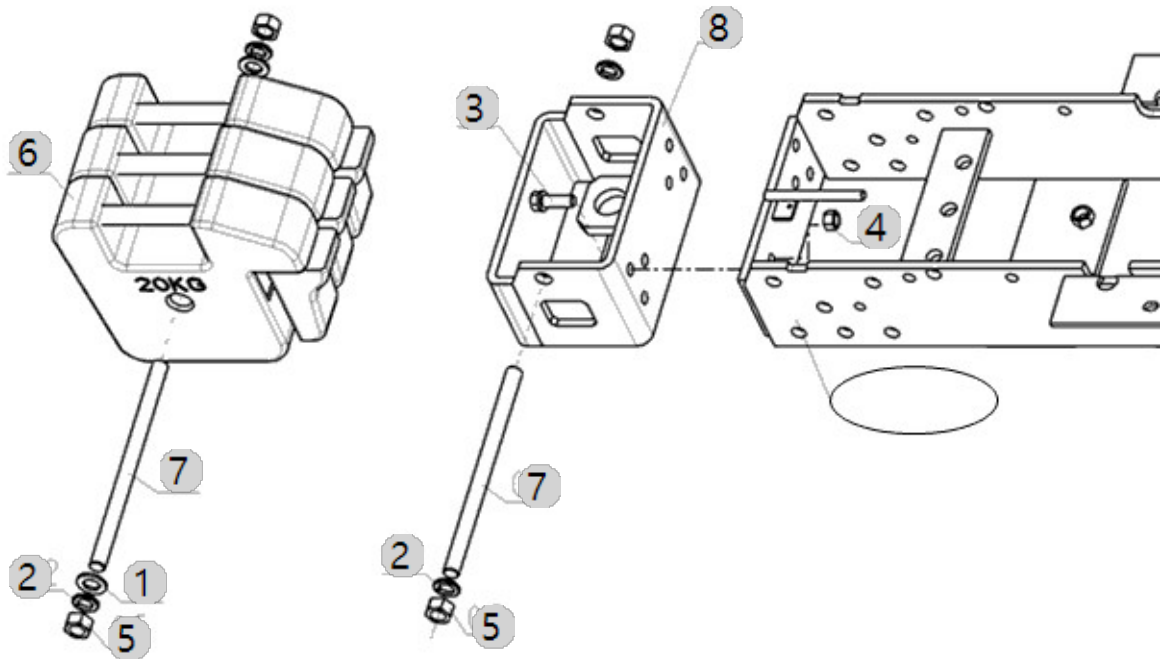
I01010

2500H_EU_FL
(AC02160)

WEIGHT

Year/Month

2023-01-17



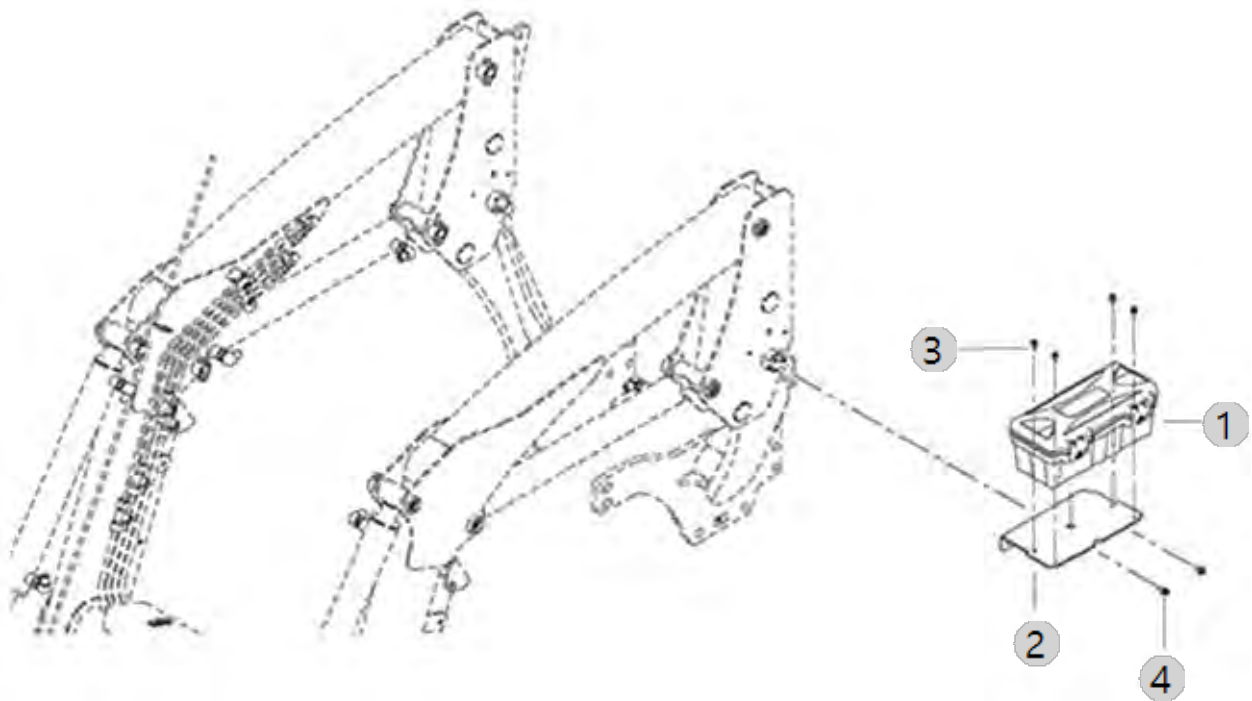
I02010

2500H_EU_FL
(AC02160)

TOOL BOX

Year/Month

2023-01-17



I03020

2500H_EU_FL
(AC02160)

LABEL

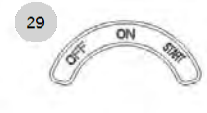
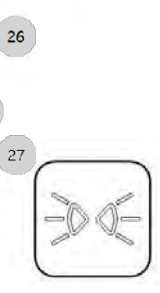
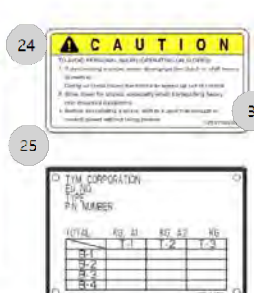
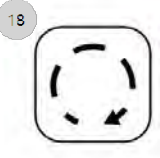
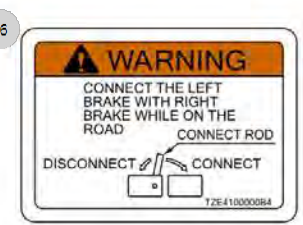
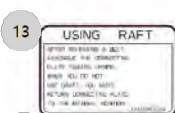
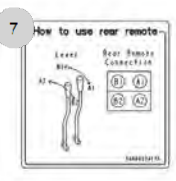
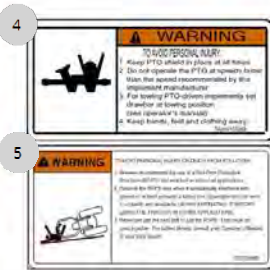
Year/Month

2023-01-17

1 **GRASPING**

2-1 **2200** 2-2 **2400** 2-3 **2400H**

2-4 **2500** 2-5 **2500L** 2-6 **2500H** 2-7 **2500HL**



I03020 2500H_EU_FL (AC02160)		LABEL				Year/Month
						2023-01-17
순번 (NO)	부품번호 (PART NO)	품명 (PART NAME)	품명 (PART NAME)	수량 (QTY)	규격 (SPEC)	비고 (REMARK)
1	TA00058240A	GRASPING AREA 명판	GRASPING AREA NAME PLATE	1		
2-1	TA00072560A	본네트명판(2200)	DECAL_2200	2		
2-2	FED2020000A	본네트 명판 - 2400	NAME PLATE(2400)	2		
2-3	TA00017463A	본네트명판 - 2400H	NAME PLATE(2400H)	2	-	
2-4	TA00072561A	본네트명판(2500)	DECAL_2500	2		
2-5	TA00072760A	본네트명판(2500L)	NAME PLATE, 2500L	2		
2-6	TA00072572A	본네트명판(2500H)	DECAL_2500H	2		
2-7	TA00072536A	본네트명판(2500L)	DECAL	2		
3	TA00040423A	PTO명판	NAME PLATE, PTO	1		
4	TA00015596A	PTO경고명판	PTO WARNING PLATE	1		
5	TA00072223A	ROPS형식명판(n)	NAME PLATE, ROPS	1		
7	TA00042169A	SCV작동명판(2PORT)	NAME PLATE, SCV	1		
8	TA00036924A	경고 명판	WARNING NAMEPLAET	1		
9	NTE5210000A4	경고명판(안전)		1	0.05T	
10	NTE5150000D4	경고명판(안전벨트)	NAMEPLATE, SEAT BELT	1	NONE	
11	TA00053623A	그리스주입명판	GREASE PLATE	1		
12	TZE4190000A4	급유주의명판	LABEL,FUELCAUTION	1		
13	TA00015725A	드래프트지시명판	DRAFT CONTROL LABEL	1		
14	TA00072225A	드로우바 명판	NAME PLATE, DRAWBAR	1		
15	TA00072205A	본네트명판(TYM,60)	NAME PLATE_TYM	1		
16	TZE4100000C4	브레이크페달명판	NAMEPLATE, BRAKE PEDAL	1	NONE	
17	TA00040422A	부변속 명판	NAME PLATE, SUB SHIFT	1		
18	NTE504E000A4	시동명판	NAME PLATE, STARTING	1	0.05T	
20	TZE5160000C3	안전주의명판	NAMEPLATE,CAUTION-SAFETY	1	NONE	
22	TZE5180000C4	회전체주의명판	NAME PLATE, REVOLUTION	1	NONE	
23	TZE5130000C4	주의명판	NAME PLATE, CAUTION	1	NONE	
24	TZE5770000B3	주의명판(비탈)	MARK,WARNING	1	NONE	
25	TA00072222A	형식명판(EC)	NAME PLATE, MODEL	1		
26	TZE4130000B4	차동명판	LABEL,DIFFERENTIAL	1	NONE	
27	NTE502E000A4	차폭등(FRONT)명판		1	0.05T	
28	TA00040603A	클러치작동명판(영문)	NAMEPLATE, CLUTCH	1		
29	TZE4330000B4	키스위치명판	MARK, MAIN SWITCH	1	NONE	
30	TZE5140000C3	하차시경고명판	NAMEPLATE, DOWN LOAD	1	NONE	
31	HA00002055A	전원차단 스위치_명판	CUTOFF POWER TABLE	1		
32	TZE4150000A4	주차브레이크고정명판	LABEL, PAKING BRAKE	1	0.05TX25X56	
33-1	TA00072537A	ROPS형식명판(2500L)	DECAL	2		
33-2	TA00060928B	ROPS형식명판(2610)	ROPS NAME PLATE(2510L)	2		
33-3	TA00072559A	ROPS형식명판(10)	DECAL_ROPS	2		
34	TZE5110000C4	스타터위험명판	MANE PLATE, START	1	NONE	
35	NTE5220000C4	위험명판	NAMEPLATE,DANGER	1	0.05T	
36	TZE5050000B4	전륜구동명판	LABEL,FRONTDRIVE	1	NONE	
37	TZE5170000C3	ROPS경고명판	NAMEPLATE, ROPS CAUTION	1	NONE	
37	TZE5170000B3	ROPS경고명판	NAME PLATE, ROPS CAUTION	1	0.05T	